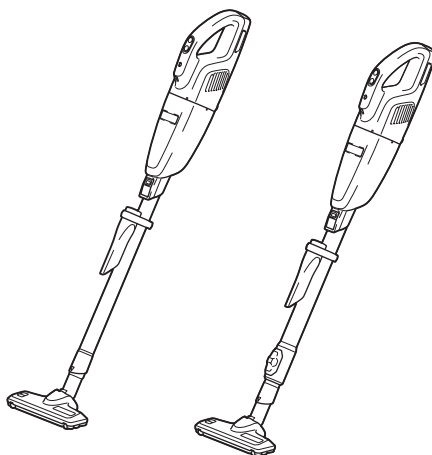
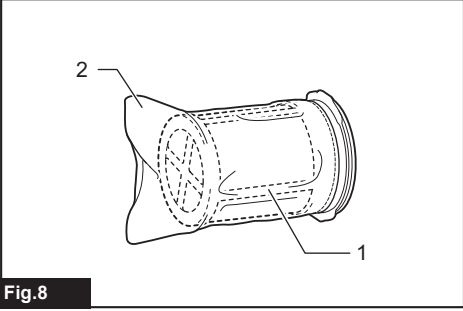
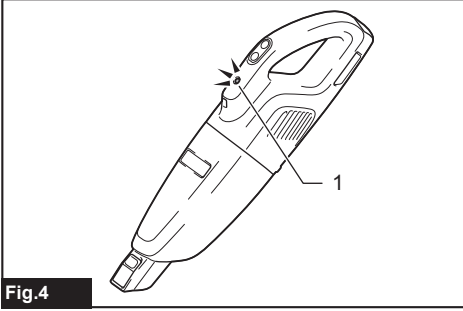
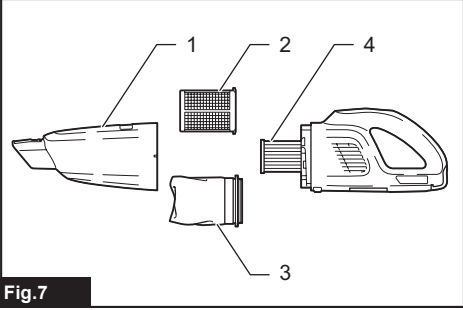
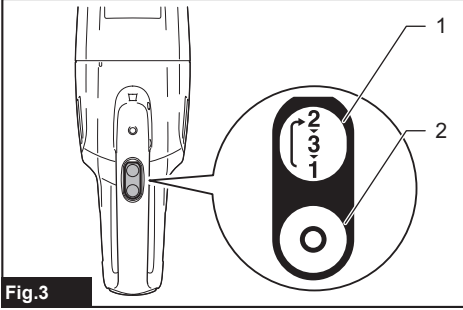
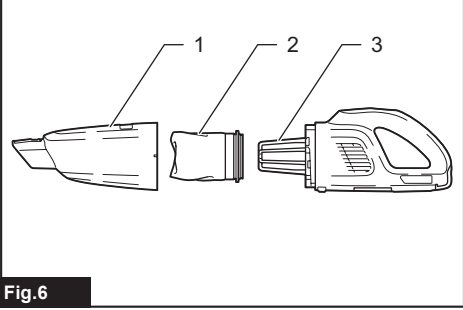
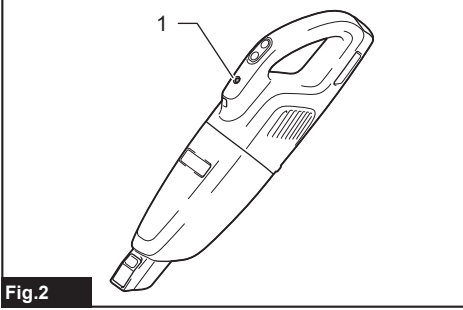
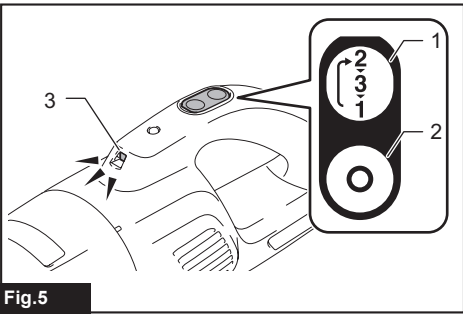
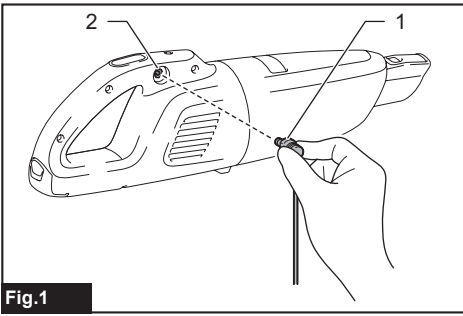


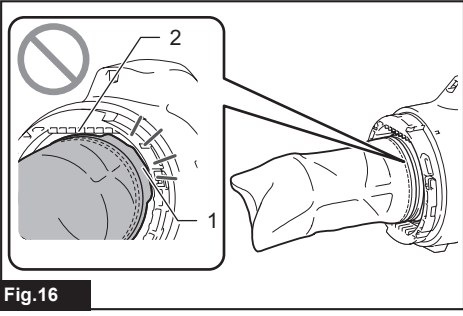
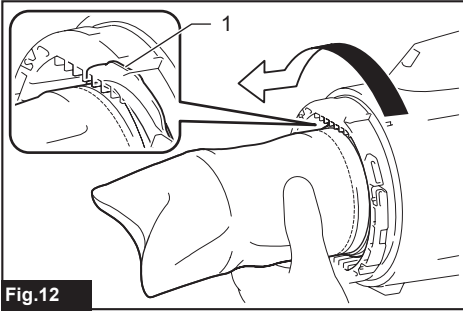
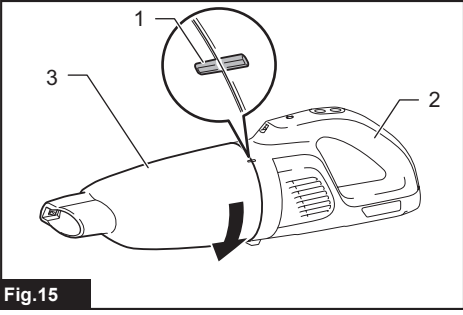
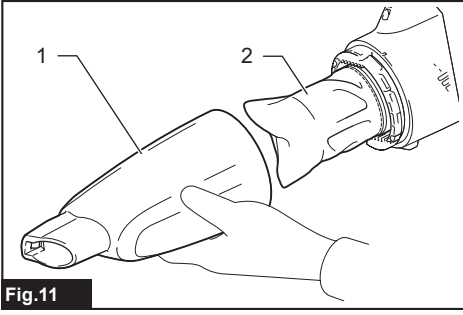
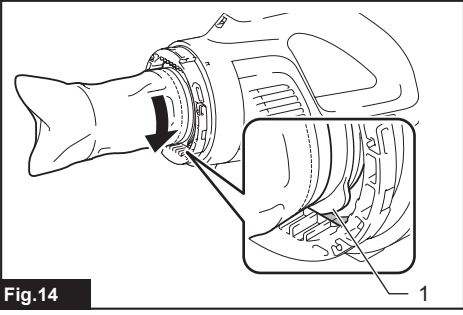
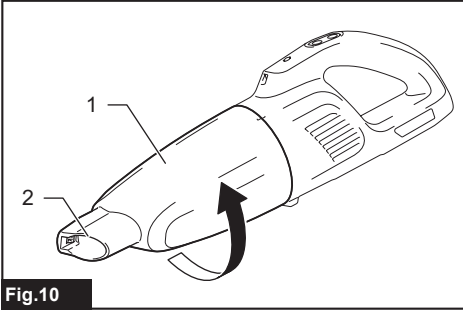
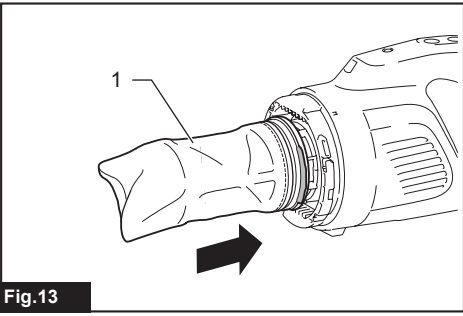
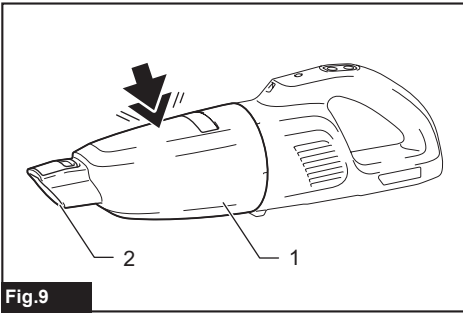


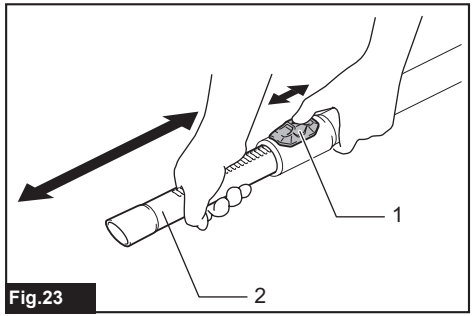
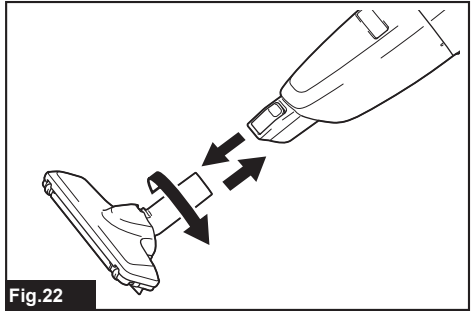
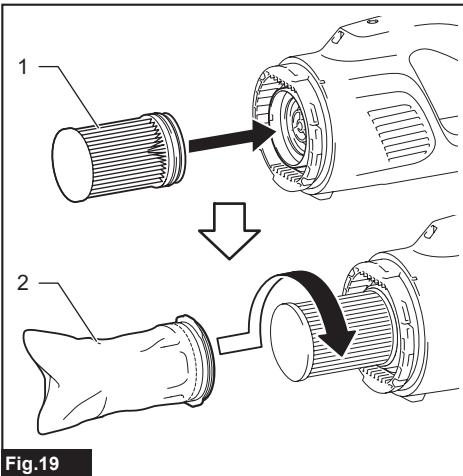
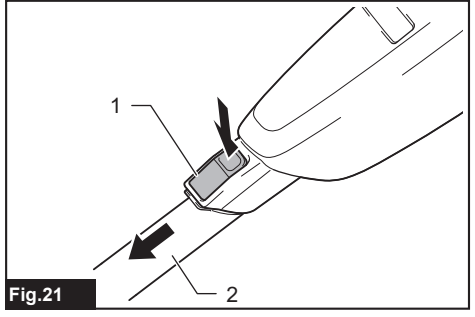
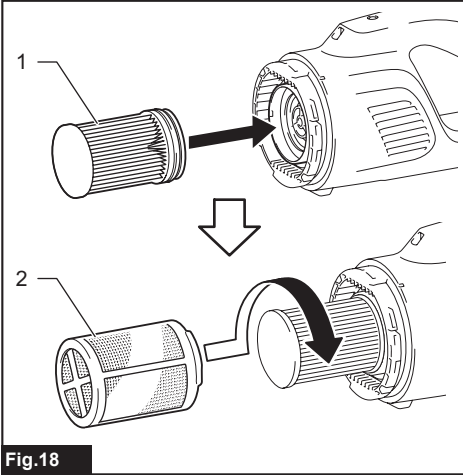
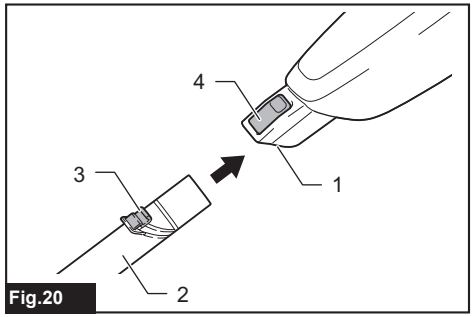
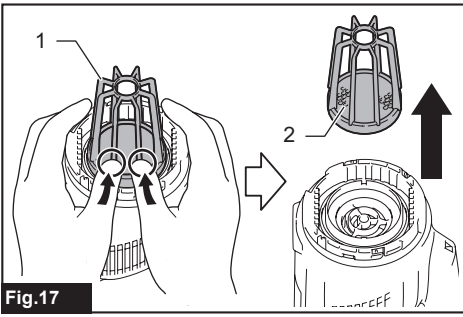
EN	Cordless Cleaner	INSTRUCTION MANUAL	9
PL	Odkurzacz Akumulatorowy	INSTRUKCJA OBSŁUGI	18
HU	Vezeték nélküli porszívó	HASZNÁLATI KÉZIKÖNYV	27
SK	Akumulátorový vysávač	NÁVOD NA OBSLUHU	36
CS	Akumulátorový vysavač	NÁVOD K OBSLUZE	45
UK	Бездротовий пилосос	ІНСТРУКЦІЯ З ЕКСПЛУАТАЦІЇ	54
RO	Aspirator cu acumulator	MANUAL DE INSTRUCȚIUNI	64
DE	Akku-Staubsauger	BETRIEBSANLEITUNG	73

CL117FD









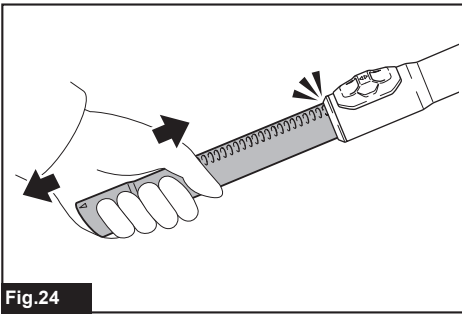


Fig.24

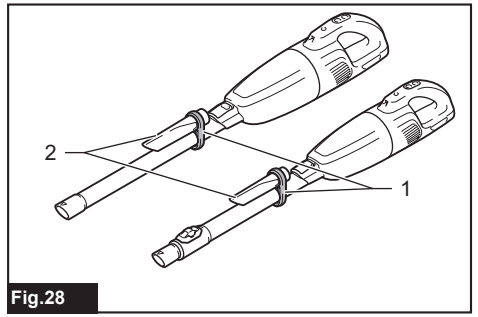


Fig.28

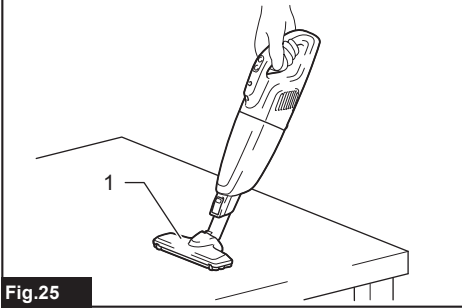


Fig.25

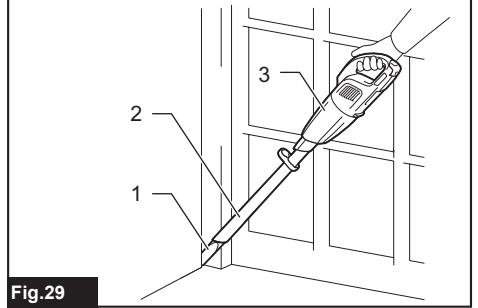


Fig.29

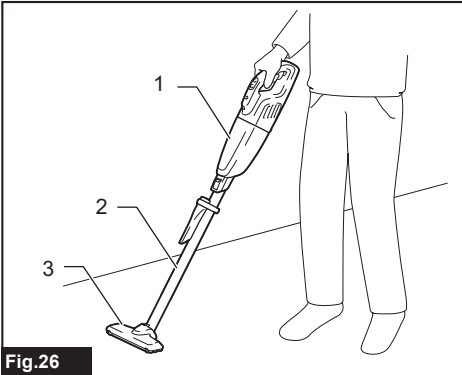


Fig.26

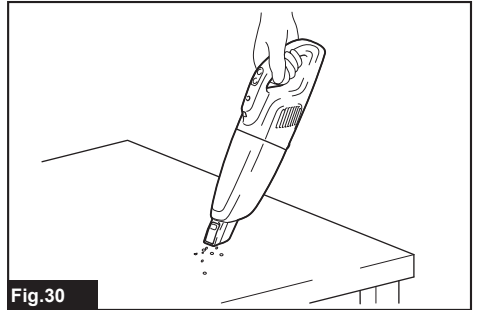


Fig.30

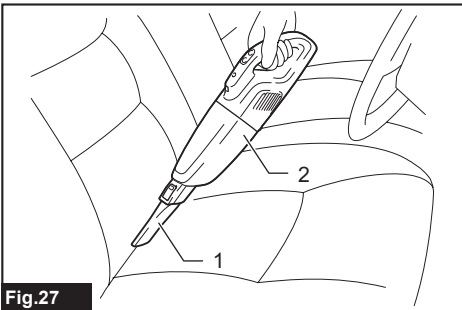


Fig.27

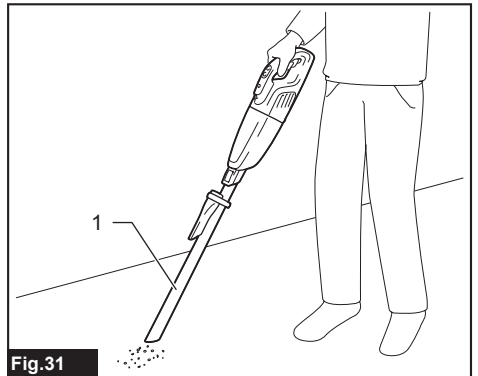


Fig.31

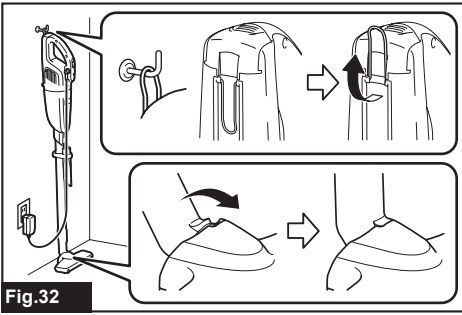


Fig.32

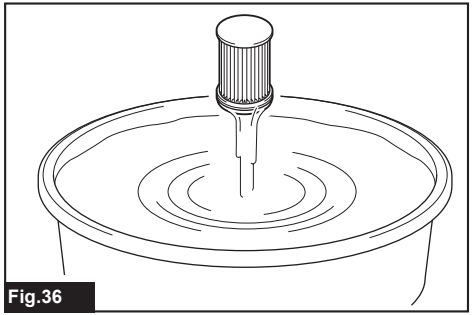


Fig.36

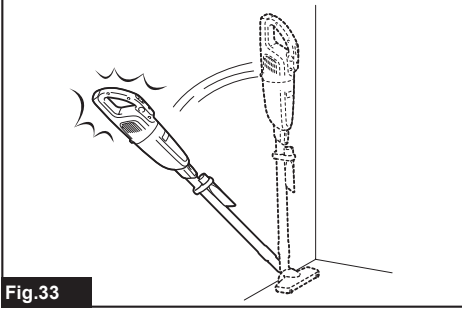


Fig.33

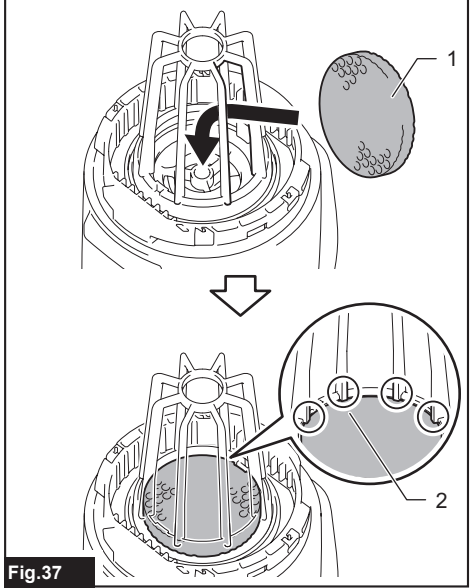


Fig.37

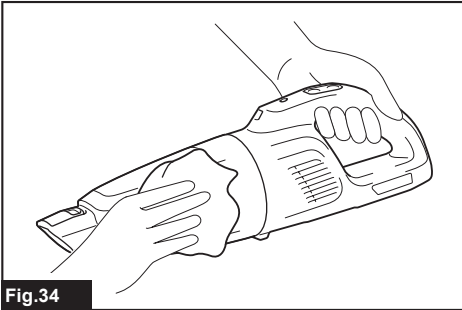


Fig.34

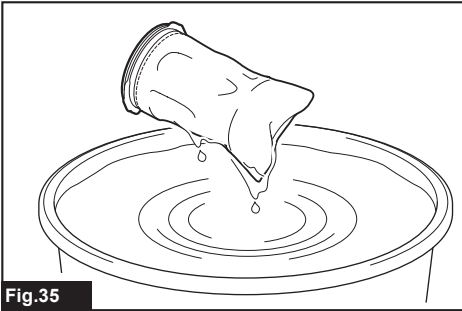


Fig.35

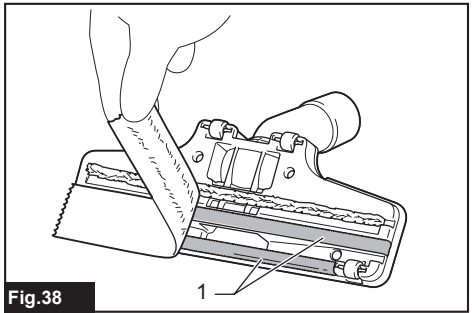


Fig.38

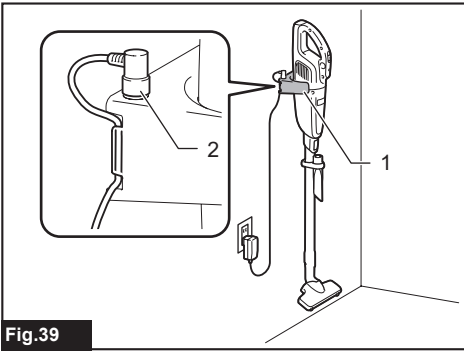


Fig.39

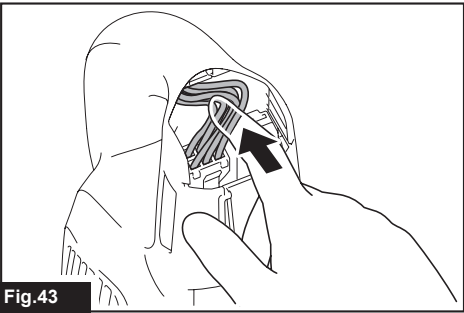


Fig.43

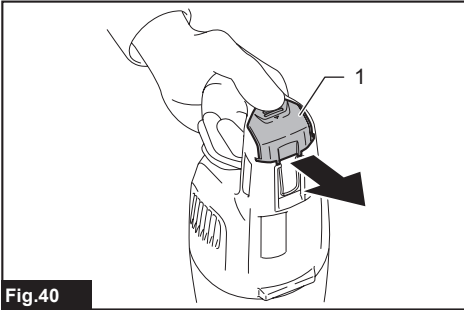


Fig.40

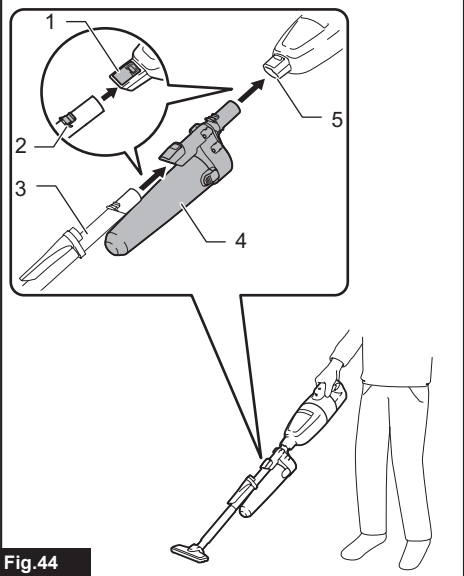


Fig.44

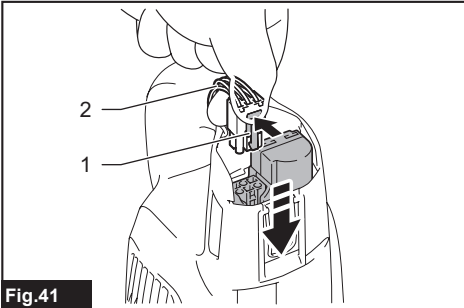


Fig.41

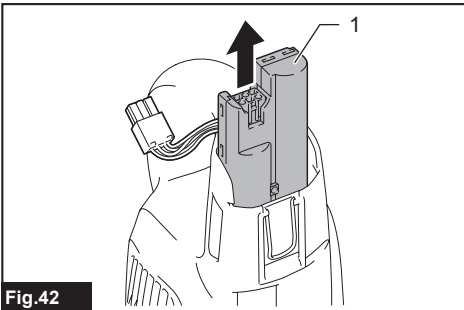


Fig.42

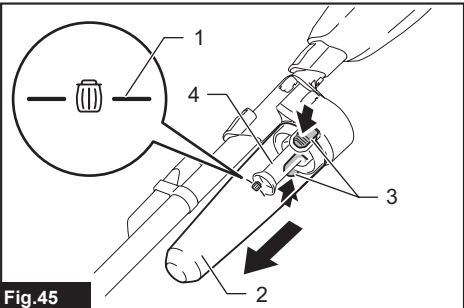
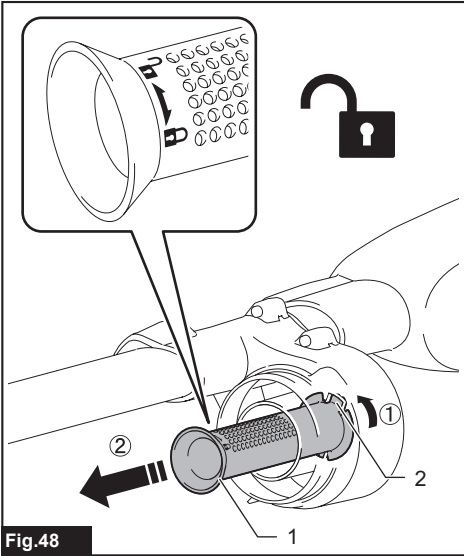
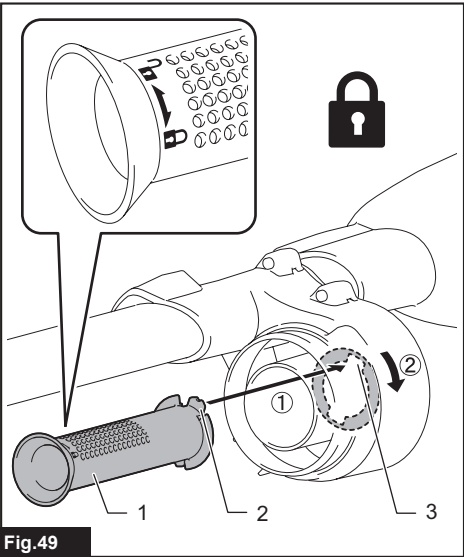
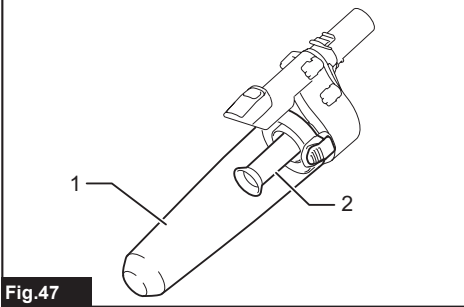
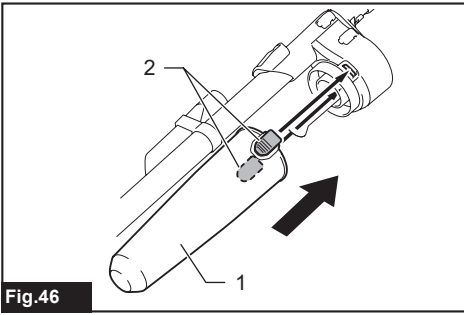


Fig.45



WARNING

- This appliance can be used by children aged from 8 years and above and persons with reduced physical, sensory or mental capabilities or lack of experience and knowledge if they have been given supervision or instruction concerning use of the appliance in a safe way and understand the hazards involved.
- Children shall not play with the appliance. Cleaning and user maintenance shall not be made by children without supervision.
- See the chapter "SPECIFICATIONS" for the type reference of the battery.
- See the sections "Removing built-in battery" and "Installing replacement battery" for how to replace the battery.
- The contained lithium-ion batteries are subject to the Dangerous Goods Legislation requirements. When disposing the battery, remove it from the appliance and dispose of it in a safe place. Follow your local regulations relating to disposal of battery.
- Under abusive conditions, liquid may be ejected from the battery; avoid contact. If contact accidentally occurs, flush with water.
- If electrolyte gets into your eyes, rinse them out with clear water and seek medical attention right away. It may result in loss of your eyesight.
- See the chapter "SPECIFICATIONS" for the type reference of the charger. For the purposes of recharging the battery, only use the charger provided with the appliance.
- See the section "Symbols" for the meaning of the symbols used for the appliance.
- See the chapter "MAINTENANCE" for the appropriate details of precautions during user maintenance.

SPECIFICATIONS

Model:		CL117FD
Capacity		650 ml
Continuous use (with battery BL1020V)	3 (Max speed mode)	Approx. 10 min
	2 (High speed mode)	Approx. 18 min
	1 (Normal speed mode)	Approx. 55 min
Overall length	Cleaner body	457 mm
	With extension wand and nozzle	992 - 1,232 mm
Net weight		1.0 kg
Rated voltage		D.C. 10.8 V - 12 V max

- Due to our continuing program of research and development, the specifications herein are subject to change without notice.
- Specifications may differ from country to country.
- The weight does not include accessories.
- For the purposes of recharging the battery, only use the charger provided with the appliance.

Applicable battery cartridge and charger

Battery cartridge	Battery charger	Charging time (hours)
BL1020V	DC1002	2.0

- Charging time varies by temperature (10°C (50°F) – 40°C (104°F)) that battery cartridge is charged at and conditions of the battery cartridge, such as a battery cartridge which is new or has not been used for a long period of time.

⚠ WARNING: Only use the battery cartridges and chargers listed above. Use of any other battery cartridges and chargers may cause injury and/or fire.

Symbols

The followings show the symbols which may be used for the equipment. Be sure that you understand their meaning before use.



Read the instruction manual.



Detachable supply unit



Ni-MH
Li-Ion

Only for EU countries
Due to the presence of hazardous components in the equipment, waste electrical and electronic equipment, accumulators and batteries may have a negative impact on the environment and human health. Do not dispose of electrical and electronic appliances or batteries with household waste!
In accordance with the European Directive on waste electrical and electronic equipment and on accumulators and batteries and waste accumulators and batteries, as well as their adaptation to national law, waste electrical equipment, batteries and accumulators should be stored separately and delivered to a separate collection point for municipal waste, operating in accordance with the regulations on environmental protection.
This is indicated by the symbol of the crossed-out wheeled bin placed on the equipment.

Intended use

The appliance is intended for collecting dry dust.

SAFETY WARNINGS

Cordless cleaner safety warnings

⚠ WARNING: IMPORTANT! READ CAREFULLY all safety warnings and all instructions BEFORE USE. Failure to follow the warnings and instructions may result in electric shock, fire and/or serious injury.

1. Do not expose to rain. Store indoors.
2. Do not allow to be used as a toy. Close attention is necessary when used by or near children.
3. Use only as described in this manual. Use only manufacturer's recommended attachments.
4. Do not use with damaged battery. If appliance is not working as it should, has been dropped, damaged, left outdoors, or dropped into water, return it to a service center.
5. Do not handle appliance with wet hands.
6. Do not put any object into openings. Do not use with any opening blocked; keep free of dust, lint, hair, and anything that may reduce air flow.
7. Keep hair, loose clothing, fingers, and all parts of body away from openings and moving parts.
8. Turn off all controls before removing the battery.
9. Use extra care when cleaning on stairs.

10. Do not use to pick up flammable or combustible liquids, such as gasoline, or use in areas where they may be present.
11. Use only the charger supplied by the manufacturer to recharge.
12. Do not pick up anything that is burning or smoking, such as cigarettes, matches, or hot ashes.
13. Do not use without dust bag and/or filters in place.
14. Do not charge the battery outdoors.
15. Recharge only with the charger specified by the manufacturer. A charger that is suitable for one type of battery pack may create a risk of fire when used with another battery pack.
16. Use appliances only with specifically designated battery packs. Use of any other battery packs may create a risk of injury and fire.
17. When (the) battery pack is not in use, keep it away from other metal objects, like paper clips, coins, keys, nails, screws or other small metal objects, that can make a connection from one terminal to another.
18. Under abusive conditions, liquid may be ejected from the battery; avoid contact. If contact accidentally occurs, flush with water.
19. Do not use a battery pack or appliance that is damaged or modified. Damaged or modified batteries may exhibit unpredictable behaviour resulting in fire, explosion or risk of injury.
20. Do not expose a battery pack or appliance to fire or excessive temperature. Exposure to fire or temperature above 130 °C may cause explosion.
21. Follow all charging instructions and do not charge the battery pack or appliance outside the temperature range specified in the instructions. Charging improperly or at temperatures outside the specified range may damage the battery and increase the risk of fire.

SAVE THESE INSTRUCTIONS.

ADDITIONAL SAFETY RULES

1. Read this instruction manual and the charger instruction manual carefully before use.
2. Do not pick up the following materials:
 - Hot materials such as lit cigarettes or spark/metal dust generated by grinding/cutting metal
 - Flammable materials such as gasoline, thinner, benzene, kerosene or paint
 - Explosive materials like nitroglycerin
 - Ignitable materials such as Aluminum, zinc, magnesium, titanium, phosphorus or celluloid
 - Wet dirt, water, oil or the like
 - Hard pieces with sharp edges, such as wood chips, metals, stones, glasses, nails, pins or razors
 - Powder to clot such as cement or toner
 - Conductive dust such as metal or carbon
 - Fine particle like concrete dustSuch action may cause fire, injury and/or property damage.

3. Stop operation immediately if you notice anything abnormal.
4. If you drop or strike the cleaner, check it carefully for cracks or damage before operation.
5. Do not charge the cleaner close to dangerous flammable materials such as gasoline, gas, paint or adhesives.
6. Do not charge the cleaner on papers, cloth, carpet, vinyl, etc. This may cause a fire.
7. Do not charge the cleaner in a dusty place.
8. Be sure no one is below when using the cleaner in high locations.
9. Do not bring close to stoves or other heat sources.
10. Do not block the intake hole or vent holes.

SAVE THESE INSTRUCTIONS.

IMPORTANT SAFETY INSTRUCTIONS

FOR BUILT-IN BATTERY

1. Before using built-in battery, read all instructions and cautionary markings on (1) battery charger, (2) battery, and (3) product using battery.
2. Do not disassemble built-in battery.
3. If operating time has become excessively shorter, stop operating immediately. It may result in a risk of overheating, possible burns and even an explosion.
4. If electrolyte gets into your eyes, rinse them out with clear water and seek medical attention right away. It may result in loss of your eyesight.
5. Do not short the built-in battery:
 - (1) Do not touch the terminals with any conductive material.
 - (2) Avoid storing built-in battery in a container with other metal objects such as nails, coins, etc.
 - (3) Do not expose built-in battery to water or rain.
A battery short can cause a large current flow, overheating, possible burns and even a breakdown.
6. Do not store and use the appliance and built-in battery in locations where the temperature may reach or exceed 50 °C (122 °F).
7. Do not incinerate the built-in battery even if it is severely damaged or is completely worn out. The built-in battery can explode in a fire.
8. Be careful not to drop or strike battery.
9. Do not use a damaged built-in battery.
10. The contained lithium-ion batteries are subject to the Dangerous Goods Legislation requirements. When disposing the battery, remove it from the appliance and dispose of it in a safe place. Follow your local regulations relating to disposal of battery.
11. Use the batteries only with the products specified by Makita.

SAVE THESE INSTRUCTIONS.

Tips for maintaining maximum battery life

1. Charge the built-in battery before completely discharged.
Always stop appliance operation and charge the built-in battery when you notice less appliance power.
2. Never recharge a fully charged built-in battery. Overcharging shortens the battery service life.
3. Charge the built-in battery with room temperature at 10°C - 40°C (50°F - 104°F). Let a hot built-in battery cool down before charging it.
4. Charge the built-in battery once in every six months if you do not use the appliance for a long period of time.

FUNCTIONAL DESCRIPTION

CAUTION: Always be sure that the appliance is switched off before adjusting or checking function on the appliance.

Charging the built-in battery

CAUTION: Only use genuine Makita batteries. Use of non-genuine Makita batteries, or batteries that have been altered, may result in the battery bursting causing fires, personal injury and damage. It will also void the Makita warranty for the Makita product and charger.

CAUTION: Always disconnect the charging plug from the cleaner after charging.

CAUTION: Do not leave the charger in the mains after disconnecting the appliance. Small children may put the live plug in their mouth and cause injury.

Charge the cleaner when using it for the first time or uncharged for a long time. Connect the charging plug to the charging connector, then plug in the charger to the power receptacle.

► Fig.1: 1. Charging plug 2. Charging connector

The battery power lamp lights up and the charging starts. The light goes out after the charging is complete. For more details, refer to the instruction manual of battery charger.

► Fig.2: 1. Battery power lamp

NOTICE: The battery power lamp blinks and the battery cannot be charged if the battery or cleaner is exposed to extreme temperatures.

NOTE: The cleaner cannot be controlled while being charged. To start the cleaner, unplug the charger from the power source, disconnect the charging plug from the cleaner, and then push the ON/speed change button.

NOTE: Under the following conditions, the battery is about to reach its end of life (or damaged/malfunctioned). Unplug the charger from the power supply, then replace the battery.

- The battery power lamp goes out shortly after you begin to charge the cleaner.
- The cleaner works only for a period shorter than half of the normal operating time after the battery has been fully charged.

NOTE: The battery can be recharged up to approximately 500 times. The rechargeable times vary depending on the conditions under which the battery has been charged and discharged.

Switch action

CAUTION: Always switch off the cleaner after each use to prevent damage to the cleaner and to extend the service life of the batteries.

To start the cleaner, simply push the ON/speed change button. To switch off, push the OFF button. You can change the cleaner speed in three steps by pushing the ON/speed change button. The first push on this button is for high speed mode, the second push for max speed mode and the third push for normal speed mode. Each push on this button repeats the high/max/normal speed cycle alternatively.

► **Fig.3:** 1. ON/speed change button 2. OFF button

Battery power lamp

When the remaining battery capacity gets low, the battery power lamp blinks.

When the remaining battery capacity gets much lower, the cleaner stops and the battery power lamp lights up about 10 seconds. At this time, charge the battery. Also when the battery gets overloaded or overheated, the cleaner stops and the battery power lamp lights up about 10 seconds. The cleaner does not actuate during the lamp on.

► **Fig.4:** 1. Battery power lamp

NOTE: The time at which the battery power lamp start blinking or lighting up depends on the temperature at work place and the battery conditions.

Lighting up the lamp

CAUTION: Do not look in the light or see the source of light directly.

To turn on the lamp, push the ON/speed change button. Push the OFF button to turn off the lamp. During the cleaner actuating, the lamp turns on.

► **Fig.5:** 1. ON/speed change button 2. OFF button 3. Lamp

ASSEMBLY

CAUTION: Always be sure that the appliance is switched off before carrying out any work on the appliance.

Parts description

High performance filter and stay and sponge filter

► **Fig.6:** 1. Capsule 2. High performance filter 3. Stay and sponge filter

Prefilter or high performance filter and HEPA filter

Optional accessory

► **Fig.7:** 1. Capsule 2. Prefilter 3. High performance filter 4. HEPA filter

NOTICE: Do not use a high performance filter with other filters (optional accessory). The high performance filter may become unremovable from the cleaner.

NOTE: When using an optional prefilter with a HEPA filter, avoid placing any other filters over the HEPA filter. If you set the prefilter and other filters at the same time over the HEPA filter, the suction power may be reduced.

NOTE: When using a high performance filter with a HEPA filter, be sure to attach the stay inside the high performance filter.

► **Fig.8:** 1. Stay 2. High performance filter

Disposing of dust

CAUTION: Empty the cleaner before it becomes too full, or the suction force weakens.

CAUTION: Be sure to empty the inside of the cleaner itself of dust. Failure to do so may cause the filter to be clogged or the motor to be damaged.

In order to drop dust sticking on the filter in the capsule, tap the capsule 4 or 5 times with your hand.

► **Fig.9:** 1. Capsule 2. Suction inlet

Point suction inlet downwards, turn capsule in direction of arrow in diagram, and disconnect capsule slowly and straight.

► **Fig.10:** 1. Capsule 2. Suction inlet

NOTE: Dust may spill out when capsule is opened, so be sure to set a garbage bag beneath capsule.

Remove accumulated dust from the inside of capsule and high performance filter.

► **Fig.11:** 1. Capsule 2. High performance filter

Twist high performance filter in direction of arrow to unfasten securing lip from cleaner unit and then pull off the filter.

► **Fig.12:** 1. Securing lip

NOTE: When using the prefilter, also follow the procedure above.

Clean out the fine dust and lightly tap to dislodge dust from high performance filter.

Reassembly

Connect high performance filter. At this time, make sure to twist high performance filter so that securing lip is firmly locked into the cleaner unit.

► **Fig.13:** 1. High performance filter

► **Fig.14:** 1. Securing lip

NOTICE: Always be sure to check that high performance filter is loaded correctly prior to using cleaner. If they are not loaded correctly, dust will get into the motor housing, and cause motor failure. If the problem as described later occurs, high performance filter is not loaded correctly. Reload them correctly to rectify problem.

Attach the capsule. Align the mark on capsule with the mark on the handle and then firmly twist capsule in the direction of arrow until it is secured.

► **Fig.15:** 1. Mark 2. Handle 3. Capsule

NOTE: Always remove dust ahead of time, as suction power will be reduced if there is too much dust in cleaner.

Problem Example

The securing lip of high performance filter is not firmly locked into groove of cleaner housing.

► **Fig.16:** 1. Securing lip 2. Groove of cleaner housing

Installing or removing stay / HEPA filter

Optional accessory

For the stay and sponge filter

To remove the stay, push up the bottom part of pillars of the stay with your fingers and release its groove from the protrusion on the cleaner. After that, remove the sponge filter.

► **Fig.17:** 1. Stay 2. Sponge filter

To install, align the grooves on the stay with the protrusion on the cleaner and push until it clicks.

Insert the sponge filter between the pillars and set it in the original position.

For the HEPA filter

When installing the HEPA filter, fit the groove of the HEPA filter with the protrusion on the cleaner. Then, put the prefilter or the high performance filter on the HEPA filter and twist it to secure. To remove, follow the installation procedure in reverse.

► **Fig.18:** 1. HEPA filter 2. Prefilter

► **Fig.19:** 1. HEPA filter 2. High performance filter

OPERATION

CAUTION: Do not move your face close to the air vent when operating the cleaner. If foreign objects are blown into eyes, it may result in personal injury.

Installing and removing cleaner attachments

CAUTION: After installing an attachment, check if it is securely installed. If the attachment is installed imperfectly, it may come off and cause personal injury.

CAUTION: Be careful not to hit your hand on the wall etc. when removing attachments.

When using attachment with lock function

To install an attachment, insert it to the suction inlet of the cleaner until it clicks. Make sure that the attachment is locked.

► **Fig.20:** 1. Suction inlet 2. Attachment with lock function 3. Hook 4. Release button

NOTICE: When installing the attachment with lock function, be sure to align the release button on the cleaner with the hook on the attachment. If they are not aligned, the attachment will not be locked and may come off from the cleaner.

To remove the attachment, pull it off the cleaner while pushing and holding the release button.

► **Fig.21:** 1. Release button 2. Attachment with lock function

When using attachment without lock function

CAUTION: To install an attachment without lock function, insert it into the suction inlet of the cleaner by twisting it as shown in the figure. To detach the attachment, release it from the cleaner by twisting it as shown in the figure. Avoid twisting the attachment in the direction opposite to the arrow in the figure as it may loosen the capsule from the cleaner.

► **Fig.22**

Adjusting lengths of slide-type extension wand

Optional accessory

Slide and hold the slide button either forwards or backwards to release the lock. Pull the slide pipe out into your desired lengths. Then release the slide button to lock the slide pipe in position.

► **Fig.23:** 1. Slide button 2. Slide pipe

NOTE: For secure installation, make sure to pull the slide pipe in and out slightly to engage the lock after releasing the slide button.

► **Fig.24**

Cleaning (Suction)

Nozzle

Attach the nozzle to clean off tables, desks, furniture, etc. The nozzle slips on easily.

► **Fig.25:** 1. Nozzle

Nozzle + Extension wand

The extension wand fits in between the nozzle and the cleaner itself. This arrangement is convenient for cleaning a floor in a standing position.

► **Fig.26:** 1. Cleaner body 2. Extension wand
3. Nozzle

Corner nozzle

Fit on the corner nozzle for cleaning corners and crevices of a car or furniture.

► **Fig.27:** 1. Corner nozzle 2. Cleaner body

You can store the corner nozzle in the nozzle holder.

► **Fig.28:** 1. Nozzle holder 2. Corner nozzle

CAUTION: Be careful not to trap finger(s) between the corner nozzle and the nozzle holder. Trapping finger(s) may cause injury.

Corner nozzle + Extension wand

In tight quarters where the cleaner itself cannot squeeze in, or in high places hard to reach, use this arrangement.

► **Fig.29:** 1. Corner nozzle 2. Extension wand
3. Cleaner body

Cleaning without nozzle

You can pick up powder and dust without nozzle.

► **Fig.30**

For picking up dust on a floor in a standing position, it is convenient to attach the extension wand to the cleaner.

► **Fig.31:** 1. Extension wand

MAINTENANCE

CAUTION: Always be sure that the appliance is switched off before attempting to perform inspection or maintenance.

To maintain product SAFETY and RELIABILITY, repairs, any other maintenance or adjustment should be performed by Makita Authorized or Factory Service Centers, always using Makita replacement parts.

NOTICE: Never use gasoline, benzine, thinner, alcohol or the like. Discoloration, deformation or cracks may result.

After use

When storing or charging the cleaner, lock the nozzle head, and hang it from a hook available in the market.

► **Fig.32**

CAUTION: Putting the cleaner against the wall without any other support may cause the cleaner to fall down, resulting in personal injury or damage to the cleaner.

► **Fig.33**

Cleaning

NOTICE: Do not blow dust sticking on the cleaner and filters by air duster. It brings dust into the housing and causes failure.

NOTICE: After washing filters, dry them thoroughly before use. Insufficiently dried filters may cause poor suction and shorten the service life of the motor.

NOTICE: After cleaning filters and sponge filter, be sure to re-install them before use. If you use the cleaner without filters and sponge filter, dust comes into the motor housing and cause malfunction.

Cleaner body

From time to time wipe off the outside (cleaner body) of the cleaner using a cloth dampened in soapy water.

Clean out also the suction opening and filter mounting area.

► **Fig.34**

High performance filter

Wash the filter in soapy water when it is clogged with dust and the cleaner power becomes weak. Dry it out thoroughly before use.

► **Fig.35**

HEPA filter

Optional accessory

NOTICE: Do not rub or scratch the HEPA filter with hard objects such as a brush and a paddle.

Clogged HEPA filter cause poor suction performance. Clean out the filter from time to time.

Occasionally wash the HEPA filter in water, rinse and dry thoroughly in the shade before use. Never wash the filter in a washing machine.

► **Fig.36**

Sponge filter

When the sponge filter becomes dirty, clean it as follows.

1. Remove the filter.
2. Pull out the sponge filter from between the pillars.
3. Clean the sponge filter by tapping or washing. If you wash it, dry it out thoroughly before use.
4. Insert the sponge filter between the pillars and set it in the original position. Make sure that each bottom edge of the pillar holds down the sponge filter, and there is no gap between the sponge filter and suction opening.

► **Fig.37:** 1. Sponge filter 2. Bottom edge of pillar

The nozzle cleaning

When the nozzle brush gets dusty, clean up the dust with adhesive tape.

► **Fig.38:** 1. Brush

Wall mount for cordless cleaner

Optional accessory

NOTE: The screw to mount the holder is not included. Prepare a screw which fits with the material to screw into.

Attach the wall mount for cordless cleaner to a hard wooden wall, beam or column, where the wall mount for cordless cleaner can be firmly secured. Always be sure that the wall mount for cordless cleaner is securely attached before hanging the cleaner.

► **Fig.39:** 1. Wall mount for cordless cleaner 2. Plug

CAUTION: Do not hang the cleaner to the wall mount violently or hang other appliances than the cleaner.

NOTE: When you do not charge the cleaner, the plug can be stored on the wall mount for cordless cleaner as illustrated.

Troubleshooting

Before asking for repairs, check the following points.

Symptom	Area to be investigated	Fixing method
Weak suction power	Is the capsule full of dust?	Empty the capsule of dust.
	Is the filter clogged?	Clean or wash the filter.
	Is the battery cartridge discharged?	Charge the battery cartridge.
Not working	Is the battery cartridge discharged?	Charge the battery cartridge.
Noise and vibration	Is the filter clogged?	Clean or wash the filter.
	Is the nozzle, pipe or suction inlet of the appliance is clogged?	Remove the clogged objects in the nozzle, pipe or suction inlet of the appliance.
	Is the nozzle/pipe inlet blocked?	Do not block the nozzle/pipe inlet.

NOTICE: Do not attempt to repair cleaner by yourself.

Disposing cleaner

A Li-ion battery is built in this cleaner. Always remove it before disposing of the cleaner.

Removing built-in battery

CAUTION: Do not touch the terminals with any conductive material.

CAUTION: Avoid storing battery unit in a container with other metal objects such as nails, coins, etc.

CAUTION: Do not expose battery unit to water or rain.

CAUTION: Do not disassemble or alter battery unit.

CAUTION: The cleaner must be disconnected from the supply mains when removing the battery.

CAUTION: Hold the appliance and battery unit firmly when removing and installing the battery unit. Failure to do so may cause them to slip off your hands, resulting in damage to the appliance and battery unit and personal injury.

CAUTION: Take care not to trap finger(s) between the cleaner, rear cover and battery when removing and installing the battery unit. Trapping finger(s) may cause injury.

1. To remove the rear cover, push it in the direction of the arrow.

► **Fig.40:** 1. Rear cover

2. Slide the built-in battery halfway. Disconnect the lead wires from the battery by slightly moving back the battery while pressing the connector in the direction of arrow as shown in the figure.

► **Fig.41:** 1. Connector 2. Lead wires

3. Then slide the battery unit out completely.

► **Fig.42:** 1. Battery unit

4. Put the removed battery unit in a carton box so that it is not circuit-shortened.

Installing replacement battery

To install the replacement battery, follow the removal procedure in reverse.

CAUTION: Route the lead so that it is completely stored inside the cleaner before putting the rear cover back in the original position. Failure to do this may damage the lead.

► **Fig.43**

After installing the battery (see "SPECIFICATIONS"), charge the battery before use.

OPTIONAL ACCESSORIES

CAUTION: These accessories or attachments are recommended for use with your Makita appliance specified in this manual. The use of any other accessories or attachments might present a risk of injury to persons. Only use accessory or attachment for its stated purpose.

If you need any assistance for more details regarding these accessories, ask your local Makita Service Center.

- Extension wand
- Nozzle
- Nozzle for carpet
- Shelf brush
- Corner nozzle
- Round brush
- Flexible hose
- Filter
- Prefilter
- High performance filter
- HEPA filter
- Seat nozzle
- Crevice nozzle
- Wall mount for cordless cleaner
- Cyclone attachment
- Makita genuine battery and charger

NOTE: Some items in the list may be included in the appliance package as standard accessories. They may differ from country to country.

Cyclone attachment

► **Fig.44:** 1. Release button 2. Hook 3. Extension wand 4. Cyclone attachment 5. Suction inlet

About the cyclone attachment

Using the cleaner with the cyclone attachment installed reduces the amount of dust that enters the capsule, which helps to prevent the suction force from weakening. In addition, cleaning after use is also simple.

CAUTION: Always be sure that the appliance is switched off before carrying out any work on the appliance.

CAUTION: Clean the mesh filter of the cyclone attachment and the filters of the cleaner unit when they become clogged. Continued use in the clogged condition may result in heating or smoke.

NOTICE: When the cyclone attachment is attached, do not use the cleaner in a horizontal or upward facing position. Doing so may cause the mesh filter to become clogged.

NOTICE: Always use the cleaner with the filters installed, even when using the cyclone attachment. Using the cleaner without the filters installed may result in a motor malfunction.

NOTE: Check that the cyclone attachment, cleaner, and extension wand are locked properly before use.

NOTE: Empty the dust case of the cyclone attachment and the capsule of the cleaner when dust has accumulated. Continued use will result in weakened suction force.

NOTE: You can also use the cyclone attachment without lock function.

NOTE: To install or remove the cyclone attachment, refer to the section "Installing and removing cleaner attachments".

Disposing of dust

When dust has accumulated up to the full line of the dust case, follow the procedure below and dispose of the dust.

1. Hold the dust case firmly, press and hold the two buttons, and remove the dust case.

► **Fig.45:** 1. Full line 2. Dust case 3. Button (two locations) 4. Mesh filter

2. Dispose of the dust inside the dust case and remove any dust and powder adhered to the surface of the mesh filter.

3. Insert the dust case all the way until the two buttons lock with a click.

► **Fig.46:** 1. Dust case 2. Button (two locations)

CAUTION: Be careful not to trap finger(s) between the dust case and cyclone body when reassembling.

NOTE: If the suction force does not recover even after disposing of the dust and cleaning the mesh filter, check whether dust has accumulated in the capsule of the cleaner or clogging has occurred.

NOTE: The dust may fly up when disposing from the cyclone attachment. Be careful not to let dust get into your eyes.

Cleaning

When the dust case becomes dirty or the mesh filter is clogged, remove and wash them with water. (Refer to "Disposing of dust" for the removal procedure.)

NOTICE: After washing the dust case and filters, dry them thoroughly before use. Insufficiently dried components may cause electric shock and/or injury.

► **Fig.47:** 1. Dust case 2. Mesh filter

When the mesh filter gets dirty badly, clean it in the following procedures.

1. Turn the mesh filter as shown in the figure and remove it while the hooks are unlocked.

► **Fig.48:** 1. Mesh filter 2. Hook

2. Remove the dust on the mesh filter and then wash it with water. After that, dry it thoroughly.

3. Insert the mesh filter into the base while the hooks are aligned with the port. Turn the mesh filter as shown in the figure until the hooks are locked with a click. Make sure that the mesh filter is installed securely.

► **Fig.49:** 1. Mesh filter 2. Hook 3. Port

OSTRZEŻENIE

- Niniejsze urządzenie może być użytkowane przez dzieci w wieku powyżej 8 lat oraz przez osoby niebędące w pełni władz fizycznych, poznawczych i umysłowych lub nieposiadające doświadczenia ani wiedzy, o ile osoba odpowiedzialna za ich bezpieczeństwo zapewni odpowiedni nadzór i przekaze wskazówki dotyczące użytkowania urządzenia oraz zagrożeń z nimi związanych.
- Urządzenie nie jest przeznaczone do zabawy nim przez dzieci. Czyszczenie oraz konserwacja nie mogą być przeprowadzane przez dzieci bez nadzoru.
- Informacje na temat zalecanych akumulatorów zawiera rozdział „DANE TECHNICZNE”.
- Sposób wymiany akumulatora opisano w punktach „Wyjmowanie wbudowanego akumulatora” i „Wkładanie zamiennego akumulatora”.
- Stanowiące wyposażenie akumulatory litowo-jonowe podlegają przepisom dotyczącym produktów niebezpiecznych. Jeśli zajdzie konieczność utylizacji akumulatora, należy wyjąć go z urządzenia i przekazać w bezpieczne miejsce. Postępować zgodnie z przepisami lokalnymi dotyczącymi usuwania akumulatorów.
- W niewłaściwych warunkach eksploatacji może dojść do wycieku elektrolitu z akumulatora. Nie należy go dotykać. W razie przypadkowego kontaktu należy przemyć czystą wodą i niezwłocznie uzyskać pomoc lekarską. Kontakt z elektrolitem może spowodować utratę wzroku.
- Informacje na temat zalecanych ładowarek zawiera rozdział „DANE TECHNICZNE”. W razie konieczności naładowania akumulatora należy używać wyłącznie ładowarki dostarczonej z urządzeniem.
- Informacje na temat znaczenia symboli zastosowanych na urządzeniu zawiera punkt „Symbole”.
- Szczegółowe informacje na temat środków ostrożności podczas konserwacji wykonywanej przez użytkownika zawiera rozdział „KONSERWACJA”.

DANE TECHNICZNE

Model:		CL117FD
Pojemność		650 ml
Użytkowanie ciągłe (z akumulatorem BL1020V)	3 (tryb maks. prędkości)	Ok. 10 min
	2 (tryb wysokiej prędkości)	Ok. 18 min
	1 (tryb normalnej prędkości)	Ok. 55 min
Długość całkowita	Korpus odkurzacza	457 mm
	Z rura przedłużającą i końcówką	992 - 1 232 mm
Masa netto		1,0 kg
Napięcie znamionowe		Prąd stały 10,8 V–12 V maks.

- W związku ze stale prowadzonym przez naszą firmę programem badawczo-rozwojowym niniejsze dane mogą ulec zmianom bez wcześniejszego powiadomienia.
- Dane techniczne mogą różnić się w zależności od kraju.
- Waga nie uwzględnia akcesoriów.
- W razie konieczności naładowania akumulatora należy używać wyłącznie ładowarki dostarczonej z urządzeniem.

Kompatybilne akumulatory i ładowarki

Akumulator	Ładowarka akumulatorów	Czas ładowania (godz.)
BL1020V	DC1002	2,0

- Czas ładowania różni się w zależności od temperatury, w jakiej ładowany jest akumulator (10°C (50°F) – 40°C (104°F)), a także od stanu akumulatora, np. od tego, czy akumulator jest nowy lub nie był używany przez dłuższy czas.

⚠ OSTRZEŻENIE: Należy używać wyłącznie akumulatorów i ładowarek wymienionych powyżej. Używanie innych akumulatorów i ładowarek może stwarzać ryzyko wystąpienia obrażeń ciała lub pożaru.

Symbole

Poniżej pokazano symbole, jakie mogą być zastosowane na urządzeniu. Przed rozpoczęciem użytkowania należy zapoznać się z ich znaczeniem.



Przeczytać instrukcję obsługi.



Dołączany zasilacz



Dotyczy tylko państw UE
Z uwagi na obecność w sprzęcie niebezpiecznych składników, zużyty sprzęt elektryczny, elektroniczny, akumulatory oraz baterie mogą powodować negatywny wpływ na środowisko i zdrowie ludzi. Nie wyrzucaj urządzeń elektrycznych, elektronicznych lub akumulatorów wraz z odpadami z gospodarstwa domowego! Zgodnie z Europejską Dyrektywą w sprawie zużytego sprzętu elektrycznego i elektronicznego oraz dotyczącą akumulatorów i baterii oraz zużytych akumulatorów i baterii, a także dostosowaniem ich do prawa krajowego, zużyte urządzenia elektryczne, elektroniczne, baterie i akumulatory, należy składować osobno i przekazywać do punktu selektywnej zbiórki odpadów komunalnych, działającego zgodnie z przepisami dotyczącymi ochrony środowiska.
Informuje o tym symbol przekreślonego kołowego kontenera na odpady umieszczony na sprzęcie.

Przeznaczenie

To urządzenie jest przeznaczone do odsysania suchego pyłu.

OSTRZEŻENIA DOTYCZĄCE BEZPIECZEŃSTWA

Ostrzeżenia dotyczące bezpieczeństwa dla odkurzacza akumulatorowego

⚠ OSTRZEŻENIE: WAŻNE! UWAŻNIE PRZECZYTAĆ wszystkie zasady bezpieczeństwa i zalecenia **PRZED UŻYCIEM**. Niezastosowanie się do wspomnianych ostrzeżeń i instrukcji może doprowadzić do porażenia prądem elektrycznym, pożaru i/lub poważnych obrażeń ciała.

1. **Należy chronić przed deszczem. Przechowywać w pomieszczeniu.**
2. **Nie pozwalaj dzieciom bawić się urządzeniem. Należy zachować szczególną ostrożność, kiedy odkurzacz jest używany w pobliżu lub przez dzieci.**
3. **Używać tylko zgodnie z niniejszą instrukcją. Należy używać tylko akcesoriów zalecanych przez producenta.**

4. **Nie używać urządzenia z uszkodzonym akumulatorem. Jeśli urządzenie nie działa prawidłowo, zostało upuszczone, uszkodzone, pozostawione na zewnątrz lub wpadło do wody, należy je oddać do punktu serwisowego.**
5. **Nie wolno obsługiwać urządzenia mokrymi dłońmi.**
6. **Nie wkładać żadnych przedmiotów w otwory urządzenia. Nie używać urządzenia z zablokowanymi otworami; usuwać pył, kłaczki, włosy i wszystkie, co może ograniczyć przepływ powietrza.**
7. **Nie zbliżać włosów, luźnej odzieży, palców ani innych części ciała do otworów i ruchomych części.**
8. **Przed wyjęciem akumulatora należy wyłączyć wszystkie elementy sterowania.**
9. **Zachować szczególną ostrożność podczas sprzątania na schodach.**
10. **Nie używać do zbierania palnych lub łatwopalnych cieczy, takich jak benzyna, ani nie używać w miejscach, gdzie mogą występować.**
11. **Akumulator należy ładować wyłącznie przy użyciu ładowarki dostarczonej przez producenta.**
12. **Nie zbierać niczego, co się pali lub dymi, na przykład papierosów, zapalek lub gorącego popiołu.**
13. **Nie używać bez założonych filtrów i/lub worka na pył.**
14. **Nie ładować akumulatora na zewnątrz.**
15. **Akumulator należy ładować wyłącznie przy użyciu określonej przez producenta ładowarki.** Ładowarka przeznaczona do jednego typu akumulatora może stwarzać zagrożenie pożarem, gdy będzie używana do ładowania innego akumulatora.
16. **Do zasilania urządzeń należy używać tylko specjalnie do tego celu przeznaczonych akumulatorów.** Używanie innych akumulatorów może stwarzać ryzyko wystąpienia obrażeń ciała lub pożaru.
17. **Gdy akumulator nie jest używany, należy zabezpieczyć go przed kontaktem z metalowymi przedmiotami, takimi jak spinacze, monety, klucze, gwoździe, wkręty lub inne metalowe drobiazgi, które mogą powodować zwarcie styków akumulatora.**
18. **W niewłaściwych warunkach eksploatacji może dojść do wycieku elektrolitu z akumulatora. Nie należy go dotykać. W razie przypadkowego kontaktu należy przemyć skażoną skórę wodą.**
19. **Nie używać uszkodzonego lub przerobionego akumulatora ani urządzenia.** Uszkodzone lub przerobione akumulatory mogą działać w nieprzewidywalny sposób i spowodować pożar, wybuch lub obrażenia ciała.
20. **Nie wystawiać akumulatora ani urządzenia na działanie ognia ani nadmiernie wysokiej temperatury.** Narażenie na ogień lub temperaturę wyższą niż 130°C może spowodować wybuch.

21. Przestrzegać wszystkich instrukcji ładowania i nie ładować akumulatora ani urządzenia w temperaturze wykraczającej poza zakres określony w instrukcji. Nieprawidłowe ładowanie lub ładowanie w temperaturze wykraczającej poza określony zakres może spowodować uszkodzenie akumulatora oraz wzrost zagrożenia pożarem.

ZACHOWAĆ NINIEJSZĄ INSTRUKCJĘ.

DODATKOWE ZALECENIA DOTYCZĄCE BEZPIECZEŃSTWA

1. Przed rozpoczęciem pracy przeczytaj dokładnie niniejszy podręcznik obsługi oraz podręcznik obsługi ładowarki.
2. Nie wciągaj do urządzenia następujących materiałów:
 - substancji gorących, takich jak zapalony papieros czy iskry/opiółki powstające w wyniku szlifowania/cięcia metalu
 - substancji łatwopalnych, takich jak paliwo, rozpuszczalniki, benzyna, nafta lub farby
 - materiałów wybuchowych, jak nitrogliceryna
 - substancji zapalnych, takich jak aluminium, cynk, magnez, tytan, fosfor czy celulozoid
 - błota, wody, oleju itp.
 - elementów twardych o ostrych brzegach, takich jak wióry, metale, kamienie, szkło, gwoździe, kołki czy żyłetki
 - drobnych pyłów, takich jak cement czy toner drukarki
 - substancji przewodzących, takich jak opiółki żelaza czy pył węglowy
 - drobnych cząstek, takich jak pył betonowyTakie działania mogą spowodować pożar, obrażenia ciała i/lub straty materialne.
3. Natychmiast przerwać pracę po zauważeniu jakiegokolwiek nieprawidłowości.
4. Kiedy odkurzacz zostanie upuszczony lub uderzony, to przed uruchomieniem należy sprawdzić, czy nie jest uszkodzony, pęknięty itd.
5. Odkurzaczka nie należy ładować w pobliżu niebezpiecznych, palnych substancji, takich jak benzyna, gaz, lakiery i farby oraz kleje.
6. Odkurzaczka nie należy ładować, kiedy jest ułożony na papierze, tkaninie, dywanie, winylu, itp., gdyż może to spowodować pożar.
7. Odkurzaczka nie należy ładować w pomieszczeniach zapylnych.
8. W przypadku pracy na pewnej wysokości, należy upewnić się, czy przypadkiem na dole nie przebywają jakieś osoby.
9. Nie należy go zbliżać do pieców ani innych źródeł ciepła.
10. Nie wolno zakrywać otworu wlotowego ani otworów wentylacyjnych.

ZACHOWAĆ NINIEJSZĄ INSTRUKCJĘ.

WAŻNE INSTRUKCJE BEZPIECZEŃSTWA

DOTYCZĄCE WBUDOWANEGO AKUMULATORA

1. Przed użyciem wbudowanego akumulatora zapoznać się ze wszystkimi instrukcjami i znakami ostrzegawczymi na (1) ładowarce akumulatorów, (2) akumulatorze i (3) produkcie, w którym będzie używany akumulator.
2. Wbudowanego akumulatora nie wolno demontować.
3. Jeśli czas działania uległ znacznemu skróceniu, należy natychmiast przerwać pracę. Może bowiem dojść do przegrzania, ewentualnych poparzeń, a nawet eksplozji.
4. W przypadku przedostania się elektrolitu do oczu przemyć je czystą wodą i niezwłocznie uzyskać pomoc lekarską. Kontakt z elektrolitem może spowodować utratę wzroku.
5. Biegunów wbudowanego akumulatora nie wolno zwierać:
 - (1) Nie dotykać styków materiałami przewodzącymi prąd.
 - (2) Unikać przechowywania wbudowanego akumulatora w pojemnikach z innymi metalowymi przedmiotami, takimi jak gwoździe, monety itp.
 - (3) Chronić wbudowany akumulator przed deszczem i wodą. Zwarcie prowadzi do przepływu prądu elektrycznego o dużym natężeniu i przegrzania akumulatora, co w konsekwencji może grozić poparzeniami, a nawet awarią urządzenia.
6. Urządzenia i wbudowanego akumulatora nie wolno przechowywać ani używać w miejscach, w których temperatura osiąga bądź przekracza 50°C (122°F).
7. Wbudowanego akumulatora nie wolno spalać, nawet jeśli jest poważnie uszkodzony lub całkowicie zużyty. Wbudowany akumulator może eksplodować w ogniu.
8. Chronić akumulator przed upadkiem i uderzeniami.
9. Nie wolno używać uszkodzonego wbudowanego akumulatora.
10. Stanowiące wyposażenie akumulatory litowo-jonowe podlegają przepisom dotyczącym produktów niebezpiecznych. Jeśli zajdzie konieczność utylizacji akumulatora, należy wyjąć go z urządzenia i przekazać w bezpieczne miejsce. Postępować zgodnie z przepisami lokalnymi dotyczącymi usuwania akumulatorów.
11. Używać akumulatorów tylko z produktami określonymi przez firmę Makita.

ZACHOWAĆ NINIEJSZĄ INSTRUKCJĘ.

Wskazówki dotyczące zachowania maksymalnej trwałości akumulatora

1. Wbudowany akumulator należy naładować zanim zostanie do końca rozładowany. Po zauważeniu spadku mocy urządzenia należy przerwać pracę i naładować wbudowany akumulator.
2. Nie wolno podejmować prób ładowania w pełni naładowanego wbudowanego akumulatora. Przeładowanie akumulatora powoduje skrócenie jego okresu eksploatacji.
3. Wbudowany akumulator należy ładować w temperaturze pokojowej, w zakresie 10–40°C (50–104°F). Jeżeli wbudowany akumulator jest nagrany, przed przystąpieniem do ładowania należy poczekać, aż ostygnie.
4. Ładować wbudowany akumulator raz na sześć miesięcy, jeśli urządzenie nie jest używane przed długi okres.

OPIS DZIAŁANIA

⚠ PRZESTROGA: Przed rozpoczęciem regulacji lub sprawdzeniem działania urządzenia należy upewnić się, że jest ono wyłączone.

Ładowanie wbudowanego akumulatora

⚠ PRZESTROGA: Używać wyłącznie oryginalnych akumulatorów firmy Makita. Używanie nieoryginalnych akumulatorów firm innych niż Makita lub akumulatorów, które zostały zmodyfikowane, może spowodować wybuch akumulatora i pożar, obrażenia ciała oraz zniszczenie mienia. Stanowi to również naruszenie warunków gwarancji firmy Makita dotyczących produktu i ładowarki.

⚠ PRZESTROGA: Po ładowaniu należy zawsze odłączać wtyczkę kabla ładowarki od odkurzacza.

⚠ PRZESTROGA: Nie pozostawiać ładowarki podłączonej do gniazdka elektrycznego po odłączeniu urządzenia. Małe dzieci mogą włożyć wtyczkę do ust i odnieść obrażenia.

W przypadku pierwszego użycia lub po dłuższym okresie nieładowania odkurzacza należy naładować. Włóż wtyczkę kabla ładowarki do złącza ładowania, a następnie podłącz wtyczkę do gniazdka elektrycznego.

► **Rys.1:** 1. Wtyczka ładowarki 2. Złącze do ładowania

Kontrolka zasilania akumulatora zapali się i rozpocznie się ładowanie. Po całkowitym naładowaniu akumulatora kontrolka zgaśnie. Dodatkowe informacje można znaleźć w instrukcji obsługi ładowarki.

► **Rys.2:** 1. Kontrolka zasilania akumulatora

UWAGA: Kontrolka zasilania akumulatora miga i ładowanie akumulatora nie będzie możliwe, jeśli akumulator lub odkurzacz jest wystawiony na działanie ekstremalnych temperatur.

WSKAZÓWKA: W czasie ładowania sterowanie odkurzaczem nie będzie możliwe. Aby uruchomić odkurzacz, należy odłączyć ładowarkę od źródła zasilania, odłączyć wtyczkę ładowarki od odkurzacza, a następnie nacisnąć przycisk WŁ./zmiany prędkości.

WSKAZÓWKA: Poniżej przedstawiono warunki, w których akumulator jest bliski zużycia (lub uszkodzony/zniszczony). Należy odłączyć ładowarkę od źródła zasilania, a następnie wymienić akumulator.

- Kontrolka zasilania akumulatora gaśnie niedługo po rozpoczęciu ładowania odkurzacza.
- Czas działania odkurzacza jest krótszy niż połowa normalnego czasu pracy po pełnym naładowaniu akumulatora.

WSKAZÓWKA: Akumulator można ponownie ładować około 500 razy. Liczba ponownych ładowań różni się w zależności od warunków ładowania i rozładowywania akumulatora.

Działanie przełącznika

⚠ PRZESTROGA: Po każdym użyciu odkurzacza należy wyłączyć, aby uniknąć jego uszkodzenia i wydłużyć okres eksploatacji akumulatorów.

Aby uruchomić odkurzacz, wystarczy nacisnąć przycisk WŁ./zmiany prędkości. Aby go wyłączyć, należy nacisnąć przycisk WYŁ. Prędkość odkurzacza można ustawić na trzech poziomach za pomocą przycisku WŁ./zmiany prędkości. Pierwsze naciśnięcie tego przycisku wybiera tryb wysokiej prędkości, drugie naciśnięcie wybiera tryb maks. prędkości, a trzecie naciśnięcie przywraca normalną prędkość. Każde naciśnięcie tego przycisku powtarza kolejność włączania wysokiej/maks./normalnej prędkości.

► **Rys.3:** 1. Przycisk WŁ./zmiany prędkości
2. Przycisk WYŁ.

Kontrolka zasilania akumulatora

W przypadku obniżenia stanu naładowania akumulatora kontrolka zasilania zaczyna migać.

Jeśli stan naładowania akumulatora znacznie się obniży, odkurzacz zostanie wyłączony w trakcie pracy, a wskaźnik akumulatora zapali się na około 10 sekund. W takiej sytuacji należy naładować akumulator.

Również w przypadku przeładowania lub przegrzania akumulatora odkurzacz przestaje działać i kontrolka zasilania akumulatora zapala się na około 10 sekund. Odkurzacz nie włączy się, gdy świeci kontrolka.

► **Rys.4:** 1. Kontrolka zasilania akumulatora

WSKAZÓWKA: Moment, w którym kontrolka akumulatora zaczyna migać lub zapala się zależy od temperatury w miejscu pracy oraz od stanu akumulatora.

Włączanie lampki

⚠ PRZESTROGA: Nie patrzeć na światło ani bezpośrednio na źródło światła.

Aby włączyć lampkę, należy nacisnąć przycisk WŁ./zmiany prędkości. Aby wyłączyć lampkę, należy nacisnąć przycisk WYŁ. Podczas uruchamiania odkurzacza lampka świeci.

► **Rys.5:** 1. Przycisk WŁ./zmiany prędkości
2. Przycisk WYŁ. 3. Lampka

MONTAŻ

⚠ PRZESTROGA: Przed przystąpieniem do jakichkolwiek prac przy urządzeniu należy upewnić się, że jest ono wyłączone.

Opis części

Filtr o wysokiej wydajności i filtr z gąbki z usztywnieniem

► **Rys.6:** 1. Kapsuła 2. Filtr o wysokiej wydajności 3. Filtr z gąbki z usztywnieniem

Filtr wstępny lub filtr o wysokiej wydajności i filtr HEPA

Akcesoria opcjonalne

► **Rys.7:** 1. Kapsuła 2. Filtr wstępny 3. Filtr o wysokiej wydajności 4. Filtr HEPA

UWAGA: Nie używać filtra o wysokiej wydajności w połączeniu z innymi filtrami (akcesorium opcjonalne). Wyjęcie filtra o wysokiej wydajności z odkurzacza może być niemożliwe.

WSKAZÓWKA: W przypadku używania opcjonalnego filtra wstępnego w połączeniu z filtrem HEPA należy unikać umieszczania innych filtrów na filtrze HEPA. Jednoczesne umieszczenie filtra wstępnego i innych filtrów na filtrze HEPA może spowodować ograniczenie siły ssania.

WSKAZÓWKA: W przypadku używania filtra o wysokiej wydajności w połączeniu z filtrem HEPA należy umieścić usztywnienie wewnątrz filtra o wysokiej wydajności.

► **Rys.8:** 1. Usztywnienie 2. Filtr o wysokiej wydajności

Usuwanie kurzu

⚠ PRZESTROGA: Odkurzacz należy opróżnić, zanim się zbytnio napełni. W przeciwnym razie moc ssania będzie obniżona.

⚠ PRZESTROGA: Należy opróżnić z kurzu wnętrze odkurzacza. Niestosowanie się do tego zalecenia może spowodować zatkanie filtra i uszkodzenie silnika.

Aby usunąć kurz, który przyczepił się do filtra w kapsule, należy 4 lub 5 razy postukać dłońią w kapsułę.

► **Rys.9:** 1. Kapsuła 2. Otwór zasysania

Skierować otwór zasysania w dół, obrócić kapsułę w kierunku wskazywanym przez strzałkę na ilustracji i powoli odczepić kapsułę w linii prostej.

► **Rys.10:** 1. Kapsuła 2. Otwór zasysania

WSKAZÓWKA: Po otwarciu kapsuły kurz może się rozsypać, dlatego należy się upewnić, że pod kapsułą umieszczony został worek na śmieci.

Usunąć kurz i zabrudzenia nagromadzone w kapsule i filtrze o wysokiej wydajności.

► **Rys.11:** 1. Kapsuła 2. Filtr o wysokiej wydajności

Obrócić filtr o wysokiej wydajności w kierunku wskazywanym przez strzałkę, aby odblokować zaczep zabezpieczający od odkurzacza, po czym pociągnąć za filtr, aby go odczepić.

► **Rys.12:** 1. Zaczep zabezpieczający

WSKAZÓWKA: W przypadku użycia filtra wstępnego również należy wykonać powyższą procedurę.

Oczyścić filtr o wysokiej wydajności z drobnych zanieczyszczeń, a następnie lekko w niego postukać, aby kurz opadł z filtra.

Ponowny montaż

Podłączyć filtr o wysokiej wydajności. Upewnić się, że filtr o wysokiej wydajności został obrócony w taki sposób, aby zaczep zabezpieczający zaskoczył w obudowie odkurzacza.

► **Rys.13:** 1. Filtr o wysokiej wydajności

► **Rys.14:** 1. Zaczep zabezpieczający

UWAGA: Przed użyciem odkurzacza zawsze należy sprawdzić, czy filtr o wysokiej wydajności został prawidłowo zamocowany. Jeżeli filtry nie zostaną prawidłowo zamocowane, kurz będzie przedostawał się do obudowy silnika i spowoduje jego awarię. Jeśli wystąpi któryś z problemów opisanych w dalszej części, oznacza to, że filtr o wysokiej wydajności nie został zamontowany prawidłowo. Aby usunąć problem, należy je zamontować jeszcze raz.

Zamocować kapsułę. Wyrównać symbol na kapsule z symbolem na uchwycie, po czym obracać kapsułę do oporu w kierunku wskazywanym przez strzałkę, aż do zablokowania.

► **Rys.15:** 1. Symbol 2. Uchwyt 3. Kapsuła

WSKAZÓWKA: Zawsze pamiętać o regularnym usuwaniu kurzu, gdyż w przypadku jego nadmiernego nagromadzenia siła ssania ulega zmniejszeniu.

Przykłady problemów

Zaczep zabezpieczający na filtrze o wysokiej wydajności nie jest prawidłowo zablokowany w rowku obudowy odkurzacza.

► **Rys.16:** 1. Zaczep zabezpieczający 2. Rowek obudowy odkurzacza

Zakładanie lub wyjmowanie usztywnienia/filtra HEPA

Akcesoria opcjonalne

W przypadku filtra z gąbki z usztywnieniem

Aby wyjąć usztywnienie, dolną część kolumny usztywnienia należy popchnąć palcami w górę i zwolnić rowek z wypustu w odkurzaczu. Następnie wyjąć filtr z gąbki.

► **Rys.17:** 1. Usztywnienie 2. Filtr z gąbki

Aby założyć, należy wyrównać rowki w usztywnieniu z wypustem w odkurzaczu i nacisnąć, tak aby było słyszalne kliknięcie.

Włożyć filtr z gąbki do kolumny i ułożyć w wyjściowym położeniu.

W przypadku filtra HEPA

Podczas zakładania filtra HEPA należy dopasować rowek filtra HEPA z wypustem w odkurzaczu. Następnie należy umieścić filtr wstępny lub filtr o wysokiej wydajności na filtrze HEPA i obrócić, aby go zamocować. Aby wyjąć, należy wykonać czynności procedury zakładania w odwrotnej kolejności.

- **Rys.18:** 1. Filtr HEPA 2. Filtr wstępny
- **Rys.19:** 1. Filtr HEPA 2. Filtr o wysokiej wydajności

OBSŁUGA

⚠ PRZESTROGA: Podczas pracy odkurzacza nie należy zbliżać twarzy do otworu wentylacyjnego. Wdmuchnięcie ciała obcych do oczu może skutkować obrażeniami.

Zakładanie i zdejmowanie przystawek odkurzacza

⚠ PRZESTROGA: Po założeniu przystawki sprawdzić, czy została dobrze zamocowana. Jeśli przystawka jest zamocowana nieprawidłowo, może się odcepić i spowodować obrażenia ciała.

⚠ PRZESTROGA: Podczas zdejmowania przystawek zachować ostrożność, aby nie uderzyć ręką np. o ścianę.

W przypadku użycia przystawki z funkcją blokady

Aby założyć przystawkę, należy wsunąć ją do otworu zasysania odkurzacza, tak aby było słychać kliknięcie. Upewnić się, że przystawka jest zablokowana.

- **Rys.20:** 1. Otwór zasysania 2. Przystawka z funkcją blokady 3. Zaczep 4. Przycisk zwalniający

UWAGA: Podczas zakładania przystawki z funkcją blokady należy dopasować przycisk zwalniający na odkurzaczu do zaczepu przystawki. Jeśli nie będą one dopasowane, przystawka nie zostanie zablokowana i może wypaść z odkurzacza.

W celu zdjęcia przystawki należy wyciągnąć ją z odkurzacza, jednocześnie naciskając i przytrzymując przycisk zwalniający.

- **Rys.21:** 1. Przycisk zwalniający 2. Przystawka z funkcją blokady

W przypadku użycia przystawki bez funkcji blokady

⚠ PRZESTROGA: W celu zamontowania przystawki bez funkcji blokady należy włożyć ją do otworu zasysania odkurzacza, przekręcając w sposób przedstawiony na rysunku. Aby wymontować przystawkę, należy odcepić ją od odkurzacza, przekręcając w sposób przedstawiony na rysunku. Należy unikać przekręcania przystawki w kierunku przeciwnym do wskazywanego przez strzałkę na rysunku, ponieważ może to spowodować poluzowanie połączenia kapsuły z odkurzaczem.

- **Rys.22**

Regulacja długości wysuwanej rury przedłużającej

Aksesoria opcjonalne

Przesunąć przycisk wysuwania do przodu lub do tyłu i przytrzymać go w celu zwolnienia blokady. Wysunąć rurę na żądaną długość. Następnie zwolnić przycisk wysuwania, aby zablokować rurę w wybranym położeniu.

- **Rys.23:** 1. Przycisk wysuwania 2. Rura wysuwana

WSKAZÓWKA: Aby upewnić się, że rura została prawidłowo zamocowana, po zwolnieniu przycisku wysuwania przesunąć ją nieco do przodu i do tyłu w celu załączenia blokady.

- **Rys.24**

Odkurzanie (ssanie)

Końcówka

Ta końcówka służy do odkurzania stołu, biurka, innych mebli itp. Końcówkę nasuwa się lekko.

- **Rys.25:** 1. Końcówka

Końcówka + rura przedłużająca

Rurę przedłużającą zakłada się pomiędzy końcówką a sam odkurzacza. Ta kombinacja pozwala na wygodne odkurzanie podłogi na stojąco.

- **Rys.26:** 1. Korpus odkurzacza 2. Rura przedłużająca 3. Końcówka

Końcówka szczelinowa

Końcówka szczelinowa służy do czyszczenia zakamarków w samochodzie oraz mieszkaniu.

- **Rys.27:** 1. Końcówka szczelinowa 2. Korpus odkurzacza

Końcówkę szczelinową można przechowywać w uchwycie na końcówkę.

- **Rys.28:** 1. Uchwyt na końcówkę 2. Końcówka szczelinowa

⚠ PRZESTROGA: Należy zachować ostrożność, aby palce nie utknęły pomiędzy końcówką szczelinową i uchwytem na końcówkę. Grozi to zranieniem.

Końcówka szczelinowa + rura przedłużająca

Tę kombinację można stosować do odkurzania w miejscach ciasnych, gdzie nie zmieści się odkurzacza, albo położonych wysoko.

- **Rys.29:** 1. Końcówka szczelinowa 2. Rura przedłużająca 3. Korpus odkurzacza

Odkurzanie bez końcówki

Istnieje możliwość zbierania pyłu i kurzu bez końcówki.

- **Rys.30**

W celu zapewnienia wygody podczas zbierania kurzu w pozycji stojącej zaleca się zamocowanie do odkurzacza rury przedłużającej.

- **Rys.31:** 1. Rura przedłużająca

KONSERWACJA

▲PRZESTROGA: Przed przystąpieniem do przeglądu lub konserwacji urządzenia należy upewnić się, że jest ono wyłączone.

W celu zachowania odpowiedniego poziomu BEZPIECZEŃSTWA i NIEZAWODNOŚCI produktu wszelkie naprawy i różnego rodzaju prace konserwacyjne lub regulacje powinny być przeprowadzane przez autoryzowany lub fabryczny punkt serwisowy narzędzi Makita, zawsze z użyciem oryginalnych części zamiennych Makita.

UWAGA: Nie stosować benzyny, rozpuszczalników, alkoholu itp. środków. Mogą one powodować odbarwienia, odkształcenia lub pęknięcia.

Po zakończeniu pracy

Podczas przechowywania lub ładowania odkurzacza zablokować głowicę dyszy i zawiesić ją na haku dostępnym w sprzedaży.

► Rys.32

▲PRZESTROGA: Oparcie odkurzacza o ścianę bez żadnego innego podparcia może spowodować jego przewrócenie się, co z kolei może prowadzić do obrażeń ciała lub uszkodzenia odkurzacza.

► Rys.33

Czyszczenie

UWAGA: Do usuwania kurzu, który przykleił się do odkurzacza i filtrów, nie należy stosować odpylacza powietrza. Powoduje to dostawanie się kurzu do wnętrza obudowy, co prowadzi do awarii.

UWAGA: Po myciu filtrów należy je całkowicie wysuszyć przed kolejnym użyciem. Niedokładnie wysuszone filtry mogą powodować słabe ssanie i skracać okres eksploatacji silnika.

UWAGA: Po czyszczeniu filtrów oraz filtra z gąbki, należy upewnić się, że zostały ponownie założone przed kolejnym użyciem. W przypadku korzystania z odkurzacza bez założonych filtrów i filtra z gąbki kurz dostanie się do wnętrza obudowy silnika i spowoduje awarię.

Korpus odkurzacza

Od czasu do czasu trzeba przetrzeć korpus odkurzacza ściereczką zwilżoną wodą z mydłem.

Należy czyścić także wlot odkurzacza i miejsce mocowania filtra.

► Rys.34

Filtr o wysokiej wydajności

Kiedy filtr zatka się brudem i kurzem, a moc ssania spadnie, należy go umyć w wodzie z mydłem. Przed ponownym użyciem należy go dokładnie wysuszyć.

► Rys.35

Filtr HEPA

Akcesoria opcjonalne

UWAGA: Filtra HEPA nie należy skrobać żadnymi twardymi przedmiotami, np. szczotką lub łopatką.

Zatkanie filtra HEPA powoduje spadek wydajności ssania. Zaleca się okresowe czyszczenie filtra.

Co pewien czas należy umyć filtr HEPA w wodzie, wypłukać i dokładnie wysuszyć przed ponownym użyciem. Nigdy nie należy prać filtra w pralce.

► Rys.36

Filtr z gąbki

Gdy filtr z gąbki jest brudny, należy wyczyścić go w następujący sposób.

1. Wyjąć filtr.
2. Wyciągnąć filtr z gąbki z kolumny.
3. Wytępać lub wymyć filtr z gąbki. W przypadku mycia przed użyciem dokładnie go wysuszyć.
4. Włożył filtr z gąbki do kolumny i ułożyć w wyjściowym położeniu. Upewnić się, że filtr z gąbki jest przytrzymywany przez każdą dolną krawędź kolumny oraz że między nim a otworem ssącym nie występują żadne przerwy.

► Rys.37: 1. Filtr z gąbki 2. Dolna krawędź kolumny

Czyszczenie dyszy

Gdy szczotka dyszy zakurzy się, wyczyścić ją ściereczką z przyczepną powłoką.

► Rys.38: 1. Szczotka

Mocowanie ścienne odkurzacza akumulatorowego

Akcesoria opcjonalne

WSKAZÓWK: Zestaw nie zawiera wkrętu potrzebnego do zamontowania uchwyty. Należy przygotować wkręt odpowiedni do materiału, w który będzie wkręcany.

Mocowanie ścienne odkurzacza akumulatorowego należy zamontować na twardym drewnianym elemencie konstrukcyjnym — ścianie, belce lub słupie — do którego będzie je można pewnie przytwierdzić. Przed zawieszeniem odkurzacza akumulatorowego zawsze należy upewnić się, że jego mocowanie ścienne jest pewnie przytwierdzone.

► Rys.39: 1. Mocowanie ścienne odkurzacza akumulatorowego 2. Wtyczka

▲PRZESTROGA: Nie należy gwałtownie zawieszать odkurzacza na mocowaniu ściennym ani wieszac na mocowaniu innych urządzeń niż odkurzaczy.

WSKAZÓWK: Gdy odkurzaczy akumulatorowy nie jest ładowany, wtyczkę można przechowywać na mocowaniu ściennym, tak jak przedstawiono to na ilustracji.

Rozwiązywanie problemów

Przed oddaniem produktu do naprawy należy sprawdzić następujące punkty.

Objaw	Obszar wymagający kontroli	Metoda montażu
Słaba siła ssania	Czy kapsuła nie jest przepelniona?	Opróżnić kapsułę z kurzu.
	Czy filtr nie jest zatkany?	Wyczyścić lub umyć filtr.
	Czy akumulator jest rozładowany?	Naładować akumulator.
Nie działa	Czy akumulator jest rozładowany?	Naładować akumulator.
Hałas i drgania	Czy filtr jest zapchany?	Wyczyścić lub umyć filtr.
	Czy końcówka, rura lub otwór zasysania urządzenia są zapchane?	Usunąć objekty zapychające końcówkę, rurę lub otwór zasysania urządzenia.
	Czy końcówka lub wlot rury są zablokowane?	Nie blokować końcówki/wlotu rury.

UWAGA: Nie wolno próbować samodzielnie naprawiać odkurzacza.

Utylizacja odkurzacza

W odkurzaczu został zamontowany wbudowany akumulator litowo-jonowy. Przed utylizacją odkurzacza należy zawsze wyjąć akumulator.

Wymywanie wbudowanego akumulatora

⚠ PRZESTROGA: Nie dotykać styków materiałami przewodzącymi prąd.

⚠ PRZESTROGA: Należy unikać przechowywania akumulatora w pojemniku z innymi metalowymi przedmiotami, takimi jak gwoździe, monety itp.

⚠ PRZESTROGA: Chronić akumulator przed wodą i deszczem.

⚠ PRZESTROGA: Nie demontować zespołu akumulatora i nie wprowadzać do niego własnoręcznie żadnych zmian.

⚠ PRZESTROGA: Przed wyjęciem akumulatora należy odłączyć odkurzacz od gniazdka elektrycznego.

⚠ PRZESTROGA: Podczas wkładania i wyjmowania akumulatora należy mocno trzymać urządzenie i akumulator. W przeciwnym razie mogą się one wyslizgnąć z rąk, powodując uszkodzenie urządzenia i akumulatora oraz obrażenia ciała.

⚠ PRZESTROGA: Należy uważać, aby podczas wyjmowania i wkładania akumulatora palce nie utknęły między odkurzaczem, tylną pokrywą i akumulatorem. Uwięzienie palców grozi zranieniem.

1. Aby zdjąć tylną pokrywę, należy nacisnąć ją w kierunku strzałki.
▶ **Rys.40:** 1. Tylna pokrywa
2. Wysunąć wbudowany akumulator do połowy. Odłączyć przewody od akumulatora, przesuwając akumulator lekko do tyłu i naciskając złączkę w kierunku strzałki, jak pokazano na rysunku.
▶ **Rys.41:** 1. Złącze 2. Przewody zasilania
3. Następnie wysunąć akumulator całkowicie.
▶ **Rys.42:** 1. Akumulator
4. Aby uniknąć zwarcia, włożyć wyjęty akumulator do kartonowego pudełka.

Wkładanie zamiennego akumulatora

Aby założyć zamienny akumulator, należy wykonać czynności procedury wyjmowania w odwrotnej kolejności.

⚠ PRZESTROGA: Poprowadzić przewód, tak aby całkowicie schował się wewnątrz odkurzacza, przed założeniem tylnej pokrywy z powrotem do pierwotnego położenia. Niezastosowanie się do tej instrukcji może spowodować uszkodzenie przewodu.

▶ Rys.43

Po włożeniu akumulatora (patrz „DANE TECHNICZNE”) należy go naładować przed użyciem.

AKCESORIA OPCJONALNE

⚠ PRZESTROGA: Zaleca się stosowanie wymienionych akcesoriów i przystawek razem z urządzeniem Makita opisanym w niniejszej instrukcji. Stosowanie innych akcesoriów lub przystawek może być przyczyną obrażeń ciała. Akcesoriów lub przystawek należy używać tylko zgodnie z ich przeznaczeniem.

W razie potrzeby wszelkiej pomocy i szczegółowych informacji na temat niniejszych akcesoriów udzieli Państwu lokalne punkty serwisowe Makita.

- Rura przedłużająca
- Końcówka
- Końcówka do dywanów
- Szczotka do pótek
- Końcówka szczelinowa
- Szczotka okrągła
- Wąż elastyczny
- Filtr
- Filtr wstępny
- Filtr o wysokiej wydajności
- Filtr HEPA
- Końcówka do siedzeń

- Końcówka szczelinowa
- Mocowanie ściennie odkurzacza akumulatorowego
- Przystawka Cyklon
- Oryginalny akumulator i ładowarka firmy Makita

WSKAZÓWKA: Niektóre pozycje znajdujące się na liście mogą być dołączone do pakietu urządzenia jako akcesoria standardowe. Mogą to być różne pozycje, w zależności od kraju.

Przystawka Cyklon

- **Rys.44:** 1. Przycisk zwalniający 2. Zaczep 3. Rura przedłużająca 4. Przystawka Cyklon 5. Otwór zasysania

Przystawka Cyklon — informacje

Eksploatacja odkurzacza z zamontowaną przystawką Cyklon redukuje ilość kurzu przedostającego się do kapsuły, co zapobiega osłabieniu siły ssania. Ponadto czyszczenie po użyciu jest bardzo proste.

▲PRZESTROGA: Przed przystąpieniem do jakichkolwiek prac przy urządzeniu należy upewnić się, że jest ono wyłączone.

▲PRZESTROGA: W przypadku zatkania filtra siatkowego przystawki Cyklon i filtrów odkurzacza należy je oczyścić. Dalsza eksploatacja z zatkanymi elementami może doprowadzić do przegrzania lub powstania dymu.

UWAGA: Po zamontowaniu przystawki Cyklon nie należy używać odkurzacza ustawionego poziomo lub zwróconego w górę. W przeciwnym razie może dojść do zatkania filtra siatkowego.

UWAGA: Podczas korzystania z odkurzacza filtry powinny być zawsze założone, nawet w przypadku zamontowania przystawki Cyklon. Eksploatacja odkurzacza bez założonych filtrów może spowodować usterkę silnika.

WSKAZÓWKA: Przed rozpoczęciem pracy należy sprawdzić, czy przystawka Cyklon, odkurzacz i rura przedłużająca są prawidłowo zablokowane.

WSKAZÓWKA: W przypadku nagromadzenia kurzu w pojemniku na pył przystawki Cyklon i kapsule odkurzacza należy je opróżnić. Dalsza praca bez uprzedniego wykonania tej czynności spowoduje osłabienie siły ssania.

WSKAZÓWKA: Przystawki Cyklon można również używać bez funkcji blokady.

WSKAZÓWKA: Aby zamontować lub wymontować przystawkę Cyklon, należy zapoznać się z sekcją „Zakładanie i zdejmowanie przystawek odkurzacza”.

Usuwanie kurzu

Po nagromadzeniu się kurzu do poziomu linii napelnienia pojemnika na pył należy wykonać poniższą procedurę i usunąć kurz.

1. Należy mocno przytrzymać pojemnik na pył, naciśnąc i przytrzymać dwa przyciski i wyjąć pojemnik na pył.

► **Rys.45:** 1. Linia napelnienia 2. Pojemnik na pył 3. Przycisk (dwa miejsca) 4. Filtr siatkowy

2. Wyrzucić kurz z pojemnika na pył i usunąć kurz i pył przylegający do powierzchni filtra siatkowego.

3. Włożyć pojemnik na pył do końca, aż dwa przyciski zablokują się (kliknięcie).

► **Rys.46:** 1. Pojemnik na pył 2. Przycisk (dwa miejsca)

▲PRZESTROGA: Należy zachować ostrożność, aby podczas ponownego zakładania palce nie utknęły pomiędzy pojemnikiem na pył i korpusem przystawki Cyklon.

WSKAZÓWKA: Jeśli siła ssania nie zostanie przywrócona nawet po usunięciu kurzu i oczyszczeniu filtra siatkowego, należy sprawdzić, czy kurz nie nagromadził się w kapsule odkurzacza lub czy nie doszło do zatkania.

WSKAZÓWKA: Podczas usuwania kurzu z przystawki Cyklon kurz może się unosić. Należy zachować ostrożność, aby kurz nie przedostał się do oczu.

Czyszczenie

Jeśli pojemnik na pył ulegnie zanieczyszczeniu lub filtr siatkowy zatka się, należy je wyjąć i wymyć wodą. (Procedurę wyjmowania opisano w punkcie „Usuwanie kurzu”).

UWAGA: Po umyciu pojemnika na pył i filtrów należy je całkowicie wysuszyć przed kolejnym użyciem. Niedokładnie wysuszone elementy mogą być przyczyną porażenia prądem elektrycznym lub obrażeń ciała.

► **Rys.47:** 1. Pojemnik na pył 2. Filtr siatkowy

Jeśli filtr siatkowy ulegnie mocnemu zanieczyszczeniu, należy oczyścić go według następującej procedury.

1. Przekręcić filtr siatkowy, jak pokazano na rysunku, i wyjąć go po odblokowaniu zaczepów.

► **Rys.48:** 1. Filtr siatkowy 2. Zaczep

2. Usunąć kurz nagromadzony w filtrze siatkowym, po czym umyć filtr wodą. Następnie dokładnie go osuszyć.

3. Włożyć filtr siatkowy do podstawy, tak aby zaczepy były ustawione w linii z przyłączem. Przekręcić filtr siatkowy, jak pokazano na rysunku, tak aby zaczepy zablokowały się (kliknięcie). Upewnić się, że filtr siatkowy jest prawidłowo zamontowany.

► **Rys.49:** 1. Filtr siatkowy 2. Zaczep 3. Przyłącze

FIGYELMEZTETÉS

- A készüléket nem használhatják 8 évnél fiatalabb gyermekek, valamint csökkent fizikai, érzékelési vagy értelmi képességű személyek, illetve olyanok, akiknek nincs meg a tapasztalatuk és tudásuk ehhez, kivéve, ha valaki a biztonságos használatra megtanítja őket, ismerteti velük a lehetséges veszélyeket, és a használat közben felügyeli őket.
- Gyermekek ne játsszanak a készülékkel. A készülék tisztítását és karbantartását felügyelet nélküli gyermekek ne végezzék.
- Az akkumulátor típusreferenciáját lásd a „MŰSZAKI ADATOK” fejezetben.
- Az akkumulátor cseréjének módját lásd a „Beépített akkumulátor eltávolítása” és a „Csereakkumulátor felszerelése” fejezetekben.
- A készülékben található lítium-ion akkumulátorokra a veszélyes árukkal kapcsolatos előírások vonatkoznak. Az akkumulátor ártalmatlanításakor vegye ki azt a készülékből, és ártalmatlanítsa egy biztonságos helyen. Az akkumulátor ártalmatlanításakor tartsa be a helyi előírásokat.
- Helytelen működtetés esetén az akkumulátorból folyadék folyhat ki; kerülje az ezzel való érintkezést. Ha véletlenül érintkezésbe kerülne a folyadékkal, vízzel öblítse le.
- Ha elektrolit kerül a szemébe, mossa ki azt tiszta vízzel és azonnal kérjen orvosi segítséget. Ez a látása elvesztését okozhatja.
- A töltő típusreferenciáját lásd a „MŰSZAKI ADATOK” fejezetben. Kizárólag a készülékhez mellékelt töltőt használja az akkumulátor újratöltésének céljára.
- A készülékhez használt szimbólumok jelentését lásd a „Szimbólumok” fejezetben.
- A felhasználói karbantartás során követendő óvintézkedések részleteit lásd a „KARBANTARTÁS” fejezetben.

RÉSZLETES LEÍRÁS

Típus:		CL117FD
Kapacitás		650 ml
Folyamatos használat (BL1020V akkumulátorral)	3 (maximális fordulatszámú mód)	Kb. 10 min
	2 (magas fordulatszámú mód)	Kb. 18 min
	1 (normál fordulatszámú mód)	Kb. 55 min
Teljes hossz	Porszívóburkolat	457 mm
	Csőtoldattal és szívófejvel	992 - 1 232 mm
Nettó tömeg		1,0 kg
Névleges feszültség		10,8 V - 12 V max., egyenáram

- Folyamatos kutató- és fejlesztőprogramunk eredményeként az itt felsorolt tulajdonságok figyelmeztetés nélkül megváltozhatnak.
- A tulajdonságok országról országra különbözhetnek.
- A tömeg nem foglalja magában a kiegészítőket.
- Kizárólag a készülékhez mellékelt töltőt használja az akkumulátor újratöltésének céljára.

Alkalmazható akkumulátorok és töltők

Akkumulátor	Akkumulátortöltő	Töltési idő(óra)
BL1020V	DC1002	2,0

- A töltési idő változik a hőmérséklettel (10 °C (50 °F)–40 °C (104 °F)), amelyen az akkumulátort töltik, valamint az akkumulátor állapotával, például hogy új akkumulátor-e vagy hosszú ideig nem használták.

▲ FIGYELMEZTETÉS: Csak a fentiekben felsorolt akkumulátorokat és töltőket használja. Bármilyen más akkumulátor vagy töltő használata sérüléseket és/vagy tüzet okozhat.

Szimbólumok

A következőkben a berendezésen esetleg használt jelképek láthatók. A szerszám használata előtt bizonyosodjon meg arról hogy helyesen értelmezi a jelentésüket.



Olvassa el a használati utasítást.



Levehető tápegység



Csak EU-tagállamok számára
Mivel a berendezésben veszélyes alkatrészek vannak, az elektromos és elektronikus berendezések, akkumulátorok és elemek hulladékaik negatív hatással lehetnek a környezetre és az emberi egészségre. Az elektromos és elektronikus készülékeket vagy akkumulátorokat ne dobja a háztartási szemétkébe!
Az elektromos és elektronikus berendezések hulladékairól és az akkumulátorokról és elemekről, valamint az akkumulátorok és elemek hulladékáról szóló európai irányelvek, valamint a nemzeti jogszabályokhoz történő adaptálásának megfelelően a használt elektromos berendezéseket, elemeket és akkumulátorokat külön kell tárolni, és a települési hulladék elkülönített gyűjtőhelyére kell szállítani a környezetvédelmi előírásoknak megfelelően. Ezt jelzi a berendezésen elhelyezett áthúzott kerek kuka szimbólum.

Rendeltetés

A készülék száraz por összegyűjtésére szolgál.

BIZTONSÁGI FIGYELMEZTETÉS

A vezeték nélküli porszívóra vonatkozó biztonsági figyelmeztetések

▲ FIGYELMEZTETÉS: FONTOS: HASZNÁLAT ELŐTT MINDENKÉPP OLVASSA EL az összes biztonsági figyelmeztetést és utasítást. Ha nem tartja be a figyelmeztetéseket és utasításokat, akkor áramütés, tűz és/vagy súlyos sérülés következhet be.

1. Ne tegye ki a készüléket esőnek. Tárolja a készüléket beltéren.
2. Ne használja játékszerként. Fokozott körültekintéssel járjon el, ha a készüléket gyermekek közelében használja.
3. A készüléket kizárólag a jelen kézikönyvben leírt módon használja. Kizárólag a gyártó által javasolt tartozékokat használja.
4. Ne használja sérült akkumulátorral. Ha a készülék nem megfelelően működik, leejtették, megsérült, kültéren hagyták vagy vízbe ejtették, vigye vissza a szervizbe.

5. Ne használja a készüléket nedves kézzel.
6. Ne zárja el tárgyakkal a készülék nyílásait. A készüléket ne használja lezárt nyílásokkal; tartsa távol a port, szőszet, haját és minden olyan tárgyat, mely csökkentheti a levegő áramlását.
7. Tartsa távol haját, laza ruházatát, ujjait és minden egyéb testrészét a nyílásoktól és a mozgó részekről.
8. Kapcsoljon ki minden vezérlőt, mielőtt eltávolítja az akkumulátort.
9. Legyen különösen óvatos, amikor lépcsőn végez vele takarítást.
10. Ne használja tűvesélyes vagy gyúlékony folyadékok, mint például benzin felszívására, továbbá ne használja ezek környezetében sem.
11. Csak a gyártó által biztosított töltővel töltsé újra.
12. Ne szívjon fel vele semmilyen égő vagy füsttőlóg tárgyat, mint például cigaretta, gyufa vagy forró hamu.
13. Ne használja porzsák és szűrő nélkül.
14. Ne töltsé az akkumulátort kültéren.
15. Az akkumulátort csak a gyártó által meghatározott töltővel töltsé. Egy adott típusú akkumulátorhoz használható töltő más akkumulátorokkal való használata tüzet okozhat.
16. A készülékeket kizárólag a meghatározott akkumulátorokkal használja. Egyéb akkumulátorok használata sérülést vagy tüzet okozhat.
17. Amikor nem használja az akkumulátort, azt a többi fémtárgytól, például iratkapcsoktól, érméktől, kulcsoktól, szögektől, csavaroktól vagy egyéb apró fémtárgyaktól távol tárolja, mert ezek összeköttetést hozhatnak létre a pólusok között.
18. Helytelen működtetés esetén az akkumulátorból folyadék folyhat ki; kerülje az ezzel való érintkezést. Ha véletlenül érintkezésbe kerülne a folyadékkal, vízzel öblítse le.
19. Ne használjon sérült vagy módosított akkumulátort vagy készüléket. A sérült vagy módosított akkumulátorok váratlan módon viselkedhetnek, melynek következtében tüzet, robbanást vagy sérülést okozhatnak.
20. Ne tegye ki az akkumulátort vagy a készüléket nyílt lángnak vagy túlzott hőhatásnak. A tűz hatása és a 130 °C feletti hőmérséklet robbanást okozhat.
21. A töltésre vonatkozó minden utasítást tartson be, ne töltsé az akkumulátort vagy a készüléket a megadott hőmérséklet tartományon kívül. A nem megfelelő módú és nem megfelelő hőmérsékleten történő töltés az akkumulátor károsodásával járhat, valamint tüzet okozhat.

ŐRIZZE MEG EZEKET AZ UTASÍTÁSOKAT.

KIEGÉSZÍTŐ BIZTONSÁGI ELŐÍRÁSOK

1. A használat előtt figyelmesen olvassa át ezt a használati útmutatót és a töltő használati útmutatóját.
2. Ne vegye fel vele a következő anyagokat:
 - Forró anyagok, mint égő cigaretta, vagy köszőrülésből/fémvágásból származó szilánk/fémreszelék
 - Tűveszélyes anyagok, mint például gázolin, hígító, benzin, kerozin vagy festék
 - Robbanó anyagok, mint például a nitroglicerín
 - Gyúlékony anyagok, mint például alumínium, cink, magnézium, titán, foszfor vagy celluloid
 - Nedves föld, víz, olaj vagy hasonlók
 - Kemény, éles szélű anyagok, mint például fahulladék, fém-, kő- és üvegdarabok, szegek, szegecses vagy pengék
 - Összeragadó por, mint a cement vagy toner
 - Vezetésképes por, mint fém- vagy szénpor
 - Finom részecskék, mint például betonporAz ilyen művelet tüzet, sérülést és/vagy anyagi kárt okozhat.
3. Ha bármi rendellenességet észlel, azonnal állítsa le a készüléket.
4. Ha elejtette vagy valamihez odaütötte a porszivót, a használat előtt gondosan ellenőrizze, hogy nincsenek-e rajta repedések vagy sérülések.
5. Ne töltsen a porszivót veszélyes gyúlékony anyagok, mint például benzin, gáz, festék vagy ragasztó közelében.
6. Ne töltsen a porszivót papíron, szöveten, szőnyegen, vinilen, stb. Ez tüzet okozhat.
7. Ne töltsen a porszivót poros környezetben.
8. A porszivó magasban való használatkor győződjön meg arról, hogy nem tartózkodik senki odalent.
9. Ne vigye tűzhely vagy más hőforrás közelébe.
10. Ne zárja le a szívónyílást vagy a szellőzőnyílásokat.

ŐRIZZE MEG EZEKET AZ UTASÍTÁSOKAT.

FONTOS BIZTONSÁGI SZABÁLYOK

BEÉPÍTETT AKKUMULÁTOR

1. A beépített akkumulátor használata előtt tanulmányozza át az akkumulátortöltőn (1), az akkumulátoron (2) és az akkumulátorral működött terméken (3) olvasható összes utasítást és figyelmeztető jelzést.
2. Ne szerelje szét a beépített akkumulátort.
3. Ha a működési idő nagyon lerövidült, azonnal hagyja abba a használatot. Ez a túlmelegedés, esetlegesen égések és akár robbanás veszélyével is járhat.

4. Ha elektrolit kerül a szemébe, mossa ki azt tiszta vízzel és azonnal kérjen orvosi segítséget. Ez a látása elvesztését okozhatja.
5. Ne zárja rövidre a beépített akkumulátort:
 - (1) Ne érjen az érintkezőkhöz elektromosan vezető anyagokkal.
 - (2) Ne tárolja a beépített akkumulátort más fémtárgyakkal, mint pl. szegekkel, érmékkel stb. egy helyen.
 - (3) Ne tegye ki a beépített akkumulátort víz vagy eső hatásának. Az akkumulátor rövidzárlata nagy áramerősséget, túlmelegedést, égéseket, sőt akár meghibásodást is okozhat.
6. Ne tárolja és ne használja a készüléket és a beépített akkumulátort olyan helyen, ahol a hőmérséklet elérheti vagy meghaladhatja az 50 °C-ot (122 °F).
7. Ne értesse el a beépített akkumulátort még akkor sem, ha komolyan megsérült vagy teljesen elhasználódott. A beépített akkumulátor a tűzben felrobbanhat.
8. Vigyázzon, nehogy leejtse vagy megüsse az akkumulátort.
9. Ne használjon sérült beépített akkumulátort.
10. A készülékben található lítium-ion akkumulátorokra a veszélyes árukkal kapcsolatos előírások vonatkoznak. Az akkumulátor ártalmatlanításakor vegye ki azt a készülékből, és ártalmatlanítsa egy biztonságos helyen. Az akkumulátor ártalmatlanításakor tartsa be a helyi előírásokat.
11. Az akkumulátorokat csak a Makita által megjelölt termékekhez használja.

ŐRIZZE MEG EZEKET AZ UTASÍTÁSOKAT.

Tippek az akkumulátor maximális élettartamának eléréséhez

1. Töltse fel a beépített akkumulátort, mielőtt teljesen lemerülne. Állítsa le a készüléket, és töltsen fel a beépített akkumulátort, ha a készülék erejének csökkenését észleli.
2. Soha ne töltsen újra a teljesen feltöltött beépített akkumulátort. A túltöltés csökkenti az akkumulátor élettartamát.
3. Töltse az akkumulátort szobahőmérsékleten, 10 és 40 °C (50 és 104 °F) között. Hagyja, hogy a forró beépített akkumulátor lehűljön, mielőtt elkezdi azt feltölteni.
4. Töltse fel a beépített akkumulátort hathavonta egyszer, ha hosszú ideig nem használja a készüléket.

A MŰKÖDÉS LEÍRÁSA

⚠ VIGYÁZAT: Minden esetben ellenőrizze, hogy a készülék ki van-e kapcsolva, mielőtt beállít vagy ellenőríz valamilyen funkciót a készüléken.

A beépített akkumulátor töltése

⚠ VIGYÁZAT: Csak eredeti Makita akkumulátorokat használjon. A nem eredeti Makita akkumulátorok vagy módosított akkumulátorok használata esetén az akkumulátor felrobbanhat, ami tüzet, személyi sérülést és anyagi kárt okozhat. A Makita termékre és töltőre vonatkozó Makita garanciát is érvénytelenítheti.

⚠ VIGYÁZAT: Töltés után mindig csatlakoztassa le a töltőcsatlakozót a porszívóról.

⚠ VIGYÁZAT: A készülék lecsatlakoztatása után ne hagyja a töltőt a hálózati aljzatba dugva. A kisgyerekek a szájukba vehetik az áram alatt lévő dugót, ami személyi sérüléseket okozhat.

Töltse fel a porszívót az első használat előtt, illetve ha hosszabb ideig volt lemerült állapotban. Csatlakoztassa a töltőcsatlakozót a töltőaljzathoz, majd dugja a töltőt a hálózati csatlakozóaljzatba.

▶ **Ábra1:** 1. Töltőcsatlakozó 2. Töltőcsatlakozó

Az akkumulátor töltésjelző lámpája kigyullad, és megkezdődik a töltés. A töltés befejezése után a lámpa kialszik. További részletekért tekintse meg az akkumulátor-töltő használati útmutatóját.

▶ **Ábra2:** 1. Akkumulátor töltésjelző lámpája

MEGJEGYZÉS: Az akkumulátor töltésjelző lámpája villog, és az akkumulátort nem lehet feltölteni, ha az akkumulátort vagy a porszívót szélsőséges hőmérsékleteknek teszik ki.

MEGJEGYZÉS: Töltés közben nem lehet irányítani a porszívót. A porszívó indításához húzza ki a töltőt az áramforrásból, húzza ki a töltő dugóját a porszívóból, majd nyomja meg a BE/fordulatszámváltó gombot.

MEGJEGYZÉS: Az alábbi körülmények esetén az akkumulátor közel kerül az élettartama végéhez (vagy megsérült/meghibásodott). Húzza ki a töltőt az áramforrásból, majd cserélje ki az akkumulátort.

- Az akkumulátor töltésjelző lámpája kialszik röviddel azután, hogy elkezdi tölni a porszívót.
- Az akkumulátor teljes feltöltése után a porszívó csak a normál működési idő felénél rövidebb ideig működik.

MEGJEGYZÉS: Az akkumulátort körülbelül 500 alkalommal lehet újratölteni. Az újratöltések száma az akkumulátor töltésének és lemerülésének körülményeitől függően eltérő lehet.

A kapcsoló használata

⚠ VIGYÁZAT: Mindig, minden használat után kapcsolja ki a porszívót, hogy elkerülje a porszívó károsodását, és meghosszabbítsa az akkumulátorok élettartamát.

A porszívó bekapcsolásához csak nyomja le a BE/fordulatszámváltó gombot. A kikapcsoláshoz nyomja meg a KI gombot. Három különböző fordulatszámot állíthat be a porszívón a BE/fordulatszámváltó gomb segítségével. A gomb első megnyomásával magas fordulatszámra vált, másodikra maximális fordulatszámra vált, harmadikra pedig visszavált normál fordulatszámra. A gomb minden egyes megnyomása a magas/maximális/normál fordulatszámok között léptet.

▶ **Ábra3:** 1. BE/fordulatszámváltó gomb 2. KI gomb

Akkumulátor töltésjelző lámpája

Ha az akkumulátor fennmaradó kapacitása alacsony, az akkumulátor töltésjelző lámpája villogni kezd.

Ha az akkumulátor kapacitása még alacsonyabb lesz, a porszívó működése leáll, és az akkumulátor töltésjelző lámpája kb. 10 másodpercig világít. Ekkor töltse fel az akkumulátort. Ha az akkumulátor túltöltődik vagy túlmelegszik, a porszívó működése leáll, és az akkumulátor töltésjelző lámpája kb. 10 másodpercig világít. Amíg a lámpa világít, a porszívó nem működik.

▶ **Ábra4:** 1. Akkumulátor töltésjelző lámpája

MEGJEGYZÉS: A munkaterület környezeti hőmérsékletétől és az akkumulátor állapotától függ, hogy az akkumulátor töltésjelző lámpája mikor kezd villogni vagy világítani.

A lámpa bekapcsolása

⚠ VIGYÁZAT: Ne tekintsen a fénybe vagy ne nézze egyenesen a fényforrást.

A lámpa bekapcsolásához nyomja meg a BE/fordulatszámváltó gombot. A lámpa kikapcsolásához nyomja meg a KI gombot. A porszívó működése közben a lámpa be van kapcsolva.

▶ **Ábra5:** 1. BE/fordulatszámváltó gomb 2. KI gomb 3. Lámpa

ÖSSZESZERELÉS

⚠ VIGYÁZAT: Mielőtt bármilyen munkát végezne rajta, mindig bizonyosodjon meg arról, hogy kikapcsolta a készüléket.

Alkatrészek leírása

A nagy teljesítményű szűrő és a tartó és szivacs szűrő

▶ **Ábra6:** 1. Tartály 2. Nagy teljesítményű szűrő 3. Tartó és szivacs szűrő

Előszűrő vagy nagy teljesítményű szűrő és HEPA szűrő

Opcionális kiegészítők

► **Ábra7:** 1. Tartály 2. Előszűrő 3. Nagy teljesítményű szűrő 4. HEPA szűrő

MEGJEGYZÉS: Ne használja a nagy teljesítményű szűrőt más szűrőkkel (opcionális kiegészítő). Előfordulhat, hogy a nagy teljesítményű szűrőt nem lehet eltávolítani a porszívóról.

MEGJEGYZÉS: Ha opcionális előszűrőt használ a HEPA szűrővel, kerülje el, bármely más szűrő elhelyezését a HEPA szűrő fölé. Ha a HEPA szűrő fölé egyszerűre helyez előszűrőt és szűrőt, csökkenhet a szívóerő.

MEGJEGYZÉS: Ha nagy teljesítményű szűrőt használ a HEPA szűrővel, ügyeljen rá, hogy betege a tartót a nagy teljesítményű szűrőbe.

► **Ábra8:** 1. Tartó 2. Nagy teljesítményű szűrő

A por kiürítése

⚠ VIGYÁZAT: Üritse ki a porszívóból a port, mielőtt az túlságosan megtelik, máskülönbön gyengül a szívóhatás.

⚠ VIGYÁZAT: Ne fedje magának a porszívónak a belsejét is kiüríteni. Ennek elmulasztása a szűrő eltömődését vagy a motor károsodását okozhatja.

A tartályban levő szűrőre tapadt por eltávolításához ütögesse meg kezével 4-5-ször a tartályt.

► **Ábra9:** 1. Tartály 2. Szívónyílás

Irányítsa lefelé a szívóbemenetet, fordítsa el a tartályt az ábrán látható nyíl irányába, és lassan, egyenesen húzza vegye le a tartályt.

► **Ábra10:** 1. Tartály 2. Szívónyílás

MEGJEGYZÉS: A tartály kinyitásakor por hullhat ki, ezért helyezzen egy szemeteszsákot a tartály alá.

Távolítsa el a lerakódott port a tartály belsejéből és a nagy teljesítményű szűrőről.

► **Ábra11:** 1. Tartály 2. Nagy teljesítményű szűrő

Forgassa el a nagy teljesítményű szűrőt a nyíl irányába, hogy kiakassza a rögzítőperemet a porszívó egységéből, majd húzza ki a szűrőt.

► **Ábra12:** 1. Rögzítőperem

MEGJEGYZÉS: Az előszűrő használatakor is kövesse a fenti eljárást.

Tisztítsa meg a finom portól a nagy teljesítményű szűrőt, majd óvatosan ütögesse meg a port eltávolításához.

Összeszerelés

Csatlakoztassa a nagy teljesítményű szűrőt. Ezután fordítsa el a nagy teljesítményű szűrőt, hogy a rögzítőperem beakadjon a porszívó egységbe.

► **Ábra13:** 1. Nagy teljesítményű szűrő

► **Ábra14:** 1. Rögzítőperem

MEGJEGYZÉS: A porszívó használata előtt mindig ellenőrizze, hogy a nagy teljesítményű szűrő pontosan a helyén van-e. Ha nincs pontosan a helyén, por kerül a motorházba, és a motor meghibásodását okozza.

Ha a későbbiekben leírt probléma előfordul, a nagy teljesítményű szűrő nincs pontosan a helyén. A probléma megoldásához pontosan helyezze fel a szűrőket.

Csatlakoztassa a tartályt. Igazítsa a tartályon lévő jelet a fogantyún lévő jelhez, majd határozottan csavarja el a tartályt a nyíl irányába, amíg nem rögzül.

► **Ábra15:** 1. Jel 2. Fogantyú 3. Tartály

MEGJEGYZÉS: Mindig idejében távolítsa el a port, mert lecsökken a szívóteljesítmény, ha túl sok por van a porszívóban.

Példák a lehetséges problémákra

A nagy teljesítményű szűrő rögzítőpereme nincs a porszívóház vájátába rögzítve.

► **Ábra16:** 1. Rögzítőperem 2. Vajat a porszívó burkolatában

A tartó / HEPA szűrő felszerelése és eltávolítása

Opcionális kiegészítők

A tartó és szivacsszűrő esetén

A tartó eltávolításához nyomja fel az ujjával a tartó bordáinak alsó részét, és szabadítsa ki a vájátát a porszívón található kiemelkedés alól. Ezután távolítsa el a szivacsszűrőt.

► **Ábra17:** 1. Tartó 2. Szivacsszűrő

A felszereléshez igazítsa a tartó vájátait a porszívón található kiemelkedéshez, és nyomja, amíg bekattan. Helyezze be a szivacsszűrőt a bordák közé, és állítsa az eredeti helyzetébe.

A HEPA szűrő esetén

A HEPA szűrő felszerelésekor illesse a HEPA szűrő vájátát a porszívón található kiemelkedéshez. Ezután tegye az előszűrőt vagy a nagy teljesítményű szűrőt a HEPA szűrőre, és csavarja el a rögzítéshez. Az eltávolításhoz kövesse a felszerelési eljárást fordított sorrendben.

► **Ábra18:** 1. HEPA szűrő 2. Előszűrő

► **Ábra19:** 1. HEPA szűrő 2. Nagy teljesítményű szűrő

MŰKÖDTETÉS

⚠ VIGYÁZAT: Ne vigye az arcát közel a szellőzőnyíláshoz a porszívó működtetésekor. Ha idegen tárgyakat fúj valakinek a szemébe, az személyi sérülést okozhat.

A szívótartozékok felszerelése és eltávolítása

⚠ VIGYÁZAT: A tartozék felszerelése után ellenőrizze, hogy biztonságosan van-e rögzítve. Ha a tartozék nem megfelelően van felszerelve, leeshet, és személyi sérülést okozhat.

⚠ VIGYÁZAT: Vigyázzon, ne üsse a kezét a falba, stb. a tartozékok eltávolításakor.

Reteszelő funkció tartozék használatakor

A tartozék felszereléséhez tolja azt be a porszívó szívónyílásába, amíg bekattan. Győződjön meg arról, hogy a tartozék rögzült.

▶ **Ábra20:** 1. Szívónyílás 2. Reteszelő funkció tartozék 3. Akasztó 4. Kioldógomb

MEGJEGYZÉS: A reteszelő funkció tartozék felszerelésekor vigyázzon, hogy a porszívó kioldógombját a tartozékon lévő akasztóhoz igazítsa. Ha nincsenek egy vonalban, a tartozék nem rögzül, és leeshet a porszívóról.

A tartozék eltávolításához húzza azt ki a porszívóból, miközben nyomva tartja a kioldógombot.

▶ **Ábra21:** 1. Kioldógomb 2. Reteszelő funkció tartozék

Reteszelő funkció nélküli tartozék használatakor

⚠ VIGYÁZAT: A reteszelő funkció nélküli tartozék beszereléséhez illesse azt a porszívó szívónyílásába az ábrán látható módon becsavarva azt. A tartozék leválasztásához csavarja azt ki a porszívóból az ábrán látható módon. Ne csavarja a tartozékot az ábrán látható nyílall ellentétes irányba, mert az kiláthatja a tartályt a porszívóból.

▶ **Ábra22**

A csúsztatható csőtoldal hosszának beállítása

Opcionális kiegészítő

Csúsztassa és tartsa lenyomva a csúsztatógombot előre vagy hátra a retesz kioldásához. Húzza ki a csúsztatható csövet a kívánt hosszúságúra. Majd oldja ki a csúsztatógombot a csúsztatható cső rögzítéséhez a pozícióban.

▶ **Ábra23:** 1. Csúsztatógomb 2. Csúsztatható cső

MEGJEGYZÉS: A stabil összeszereléshez ügyeljen rá, hogy a csúsztatható csövet kissé be- és kihúzza a zár aktiválásához a csúsztatógomb kioldása után.

▶ **Ábra24**

Tisztítás (porszívás)

Szívófej

Csatlakoztassa a szívófejet asztalok, íróasztalok, bútorok, stb. tisztításakor. A szívófej könnyedén rácsúsztható a csonkra.

▶ **Ábra25:** 1. Szívófej

Szívófej + Csőtoldal

A csőtoldat a szívófej és a porszívó közé illeszhető be. Az így összeszerelt készülékkel kényelmesen, felegyenesedve tisztítható a padló.

▶ **Ábra26:** 1. Porszívóburkolat 2. Csőtoldal 3. Szívófej

Saroktisztító fej

Csatlakoztassa a saroktisztító fejhez sarkok és az autó vagy bútorok réseinek tisztításához.

▶ **Ábra27:** 1. Saroktisztító fej 2. Porszívóburkolat

A saroktisztító fejet a szívófejtartóban tárolhatja.

▶ **Ábra28:** 1. Szívófejtartó 2. Saroktisztító fej

⚠ VIGYÁZAT: Ügyeljen rá, hogy ne csipje be az ujjait a saroktisztító fej és a szívófejtartó közé. Az ujj(ak) becsipődése sérülést okozhat.

Saroktisztító fej + Csőtoldal

Olyan szűk terekben, ahová maga a porszívó nem férne be, vagy nehezen elérhető, magas helyeken használja ezt az összeállítást.

▶ **Ábra29:** 1. Saroktisztító fej 2. Csőtoldal 3. Porszívóburkolat

Tisztítás szívófej nélkül

Port a szívófej nélkül is felszívhat.

▶ **Ábra30**

A padlón lévő por álló helyzetben történő felszívásához célszerű a csőtoldatot csatlakoztatni a porszívóhoz.

▶ **Ábra31:** 1. Csőtoldal

KARBANTARTÁS

⚠ VIGYÁZAT: Mindig ellenőrizze, hogy a készülék ki van-e kapcsolva, mielőtt átvizsgálná vagy karbantartást végezne rajta.

A termék BIZTONSÁGÁNAK és MEGBÍZHATÓSÁGÁNAK fenntartása érdekében a javításokat és más karbantartásokat vagy beállításokat a Makita hivatalos vagy gyári szervizközpontjában kell elvégezni, mindig csak Makita cserealkatrészeket használva.

MEGJEGYZÉS: Soha ne használjon gázolajt, benzint, hígítót, alkoholt vagy hasonló anyagokat. Ezek elszíneződést, alakvesztést vagy repedést okozhatnak.

A használat után

A porszívó tárolása vagy töltése előtt zárja le a porszívófejet, majd akassza egy piacon kapható akasztóra.

► **Ábra32**

VIGYÁZAT: Ha a porszívót kitémasztás nélkül a falnak dönti, akkor eldőlhet, ami személyi sérülést és a porszívó károsodását okozhatja.

► **Ábra33**

Tisztítás

MEGJEGYZÉS: Ne fújja a port a porszívóba és a szűrőbe légfúvó rácsatlakoztatásával. Így por kerül a motorházba, és meghibásodást okoz.

MEGJEGYZÉS: A szűrők mosása után alaposan szárítsa meg azokat használat előtt. A nem teljesen megszáritott szűrő gyenge szívóteljesítményt és a motor élettartamának rövidülését okozhatja.

MEGJEGYZÉS: A szűrők és a szivacsoszűrő tisztítása után győződjön meg arról, hogy használat előtt újra visszahelyezi azokat. Ha a szűrők és a szivacsoszűrő nélkül használja a porszívót, akkor por kerül a motorházba, és a motor meghibásodását okozza.

Porszívóburkolat

Időnként törölje át szappanos vízzel megnedvesített rongy segítségével a porszívó külső felületeit (a készülék házáét).

Tisztítsa ki a szívónyílást és a szűrő rögzítési helyét.

► **Ábra34**

Nagy teljesítményű szűrő

Szappanos vízben mossa ki a szűrőt, ha porral eltömődött és a szívóteljesítmény jelentősen lecsökkent. Használat előtt alaposan szárítsa meg.

► **Ábra35**

HEPA szűrő

Opcionális kiegészítők

MEGJEGYZÉS: Ne dörzsölje vagy karcolja a HEPA szűrőt kemény tárgyakkal, például kefével vagy durva ecsettel.

Az eltömődött HEPA szűrő gyenge szívóteljesítményt okoz. Rendszeresen tisztítsa ki a szűrőt.

A HEPA szűrőt időnként mossa meg vízben, majd öblítse le és szárítsa meg alaposan egy árnyékos helyen, mielőtt újra használná. Soha ne mossa a szűrőt mosógépben.

► **Ábra36**

Szivacsoszűrő

Ha a szivacsoszűrő szennyezetté válik, tisztítsa meg az alábbiak szerint.

1. Vegye ki a szűrőt.
 2. Húzza ki a szivacsoszűrőt a tartóbordák közül.
 3. Tisztítsa meg a szivacsoszűrőt annak megütögetésével vagy kimosásával. Ha kimossa, szárítsa meg alaposan használat előtt.
 4. Helyezze be a szivacsoszűrőt a tartóbordák közé, és állítsa az eredeti helyzetébe. Győződjön meg róla, hogy a tartóborda mindegyik alsó éle leszorítja a szivacsoszűrőt, és nincs hézag a szivacsoszűrő és a szívónyílás között.
- **Ábra37:** 1. Szivacsoszűrő 2. Tartóborda alsó széle

A porszívófej tisztítása

Ha a porszívófej keféje beporosodott, ragasztószalag segítségével távolítsa el róla a port.

► **Ábra38:** 1. Kefe

Fali tartó vezető nélküli porszívóhoz

Opcionális kiegészítők

MEGJEGYZÉS: A tartó rögzítéséhez szükséges csavar nem tartozék. Készítsen elő olyan csavart, amely illeszkedik az anyaghoz, amibe csavarni kell.

Szerelje a vezető nélküli porszívó fali tartóját keményfából készült falra, gerendára vagy oszlopra, ahová biztonságosan lehet rögzíteni az vezető nélküli porszívó fali tartóját. A porszívó felakasztása előtt mindig győződjön meg róla, hogy a vezető nélküli porszívó fali tartója biztonságosan van rögzítve.

► **Ábra39:** 1. Fali tartó vezető nélküli porszívóhoz
2. Csatlakozó

VIGYÁZAT: Ne akassza a porszívót hevesen a fali tartóra, és ne akasszon rá a porszívón kívül más készülékeket.

MEGJEGYZÉS: Amikor nem tölti a porszívót, a csatlakozót a vezető nélküli porszívó fali tartóján tárolhatja az ábrázolt módon.

Hibaelhárítás

Mielőtt javítást igényelne, ellenőrizze a következőket.

Tünet	Átvizsgálendő terület	Megoldás
Gyenge szívóteljesítmény	A tartály tele van porral?	Újírtse a tartályt.
	Eltömődött a szűrő?	Tisztítsa le vagy mossa meg a szűrőt.
	Lemerült az akkumulátor?	Töltse fel az akkumulátort.
Nem működik	Lemerült az akkumulátor?	Töltse fel az akkumulátort.
Zaj és rezgés	Eltömődött a szűrő?	Tisztítsa le vagy mossa meg a szűrőt.
	A készülék szívófeje, a csöve vagy a szívónyílás eltömődött?	Távolítsa el az eltömődést okozó tárgyakat a készülék szívófejéből, a csövéből vagy a szívónyílásából.
	A szívófeje/cső nyílása eltömődött?	Ne zárja el a szívófeje/cső nyílását.

MEGJEGYZÉS: Ne próbálja egyedül megjavítani a porszívót.

A porszívó leselejtezése

A porszívóba egy Li-ion akkumulátor van beépítve. A porszívó leselejtezése előtt távolítsa el az akkumulátort.

A beépített akkumulátor eltávolítása

⚠ VIGYÁZAT: Ne érjen az érintkezőkhöz elektromosan vezető anyagokkal.

⚠ VIGYÁZAT: Ne tárolja az akkumulátort más fémtárgyakkal, pl. szegekkel, érmékkel stb. egy helyen.

⚠ VIGYÁZAT: Ne tegye ki az akkumulátort víznek vagy esőnek.

⚠ VIGYÁZAT: Ne szerelje szét, és ne alakítsa át az akkumulátort.

⚠ VIGYÁZAT: Az akkumulátor eltávolításához csatlakoztassa le a porszívót a hálózati áramellátásról.

⚠ VIGYÁZAT: Tartsa erősen a készüléket és az akkumulátort, amikor az akkumulátort távolítja el vagy helyezi be. Ennek elmulasztása miatt azok kicsúszhatnak a kezéből, ami a készülék és az akkumulátor károsodásához vagy akár személyi sérüléshez is vezethet.

⚠ VIGYÁZAT: Ügyeljen rá, hogy ne szoruljanak be az ujjai a porszívó, a hátsó fedél és az akkumulátor közé, amikor eltávolítja vagy behelyezi az akkumulátort. Az ujj(ak) becsípődése sérülést okozhat.

1. A hátsó fedőlap eltávolításához tolja azt a nyíl irányába.

▶ **Ábra40:** 1. Hátsó fedél

2. Csúsztassa ki félig a beépített akkumulátort. Csatlakoztassa le a vezetékeket az akkumulátorról úgy, hogy az akkumulátort hátra tolja, miközben a csatlakozót az ábrán látható módon a nyíl irányába tolja.

▶ **Ábra41:** 1. Csatlakozó 2. Vezetékek

3. Ezt követően teljesen csúsztassa ki az akkumulátort.

▶ **Ábra42:** 1. Akkumulátor

4. Helyezze az eltávolított akkumulátort egy kartondobozba, hogy ne zárjon rövidre.

A pótakkumulátor behelyezése

A pótakkumulátor behelyezéséhez kövesse az eltávolítási eljárást fordított sorrendben.

⚠ VIGYÁZAT: Mielőtt felhelyezi a hátsó fedelet, vezesse el úgy a vezetéket, hogy teljesen a porszívón belül legyen. Ennek figyelmen kívül hagyása a vezeték károsodásához vezethet.

▶ **Ábra43**

Az akkumulátor beszerelése után (lásd: "MŰSZAKI ADATOK") töltse fel az akkumulátort, mielőtt használatba venné.

OPCIONÁLIS KIEGÉSZÍTŐK

⚠ VIGYÁZAT: Ezen kiegészítőket és tartozékokat javasoljuk a kézikönyvben ismertetett Makita készülékhez. Bármilyen más kiegészítő vagy tartozék használata a személyi sérülés kockázatával jár. A kiegészítőt vagy tartozékot csak rendeltetészerűen használja.

Ha bármilyen segítségre vagy további információkra van szüksége ezekkel a tartozékokkal kapcsolatban, keresse fel a helyi Makita Szervizközpontot.

- Csőtoldat
- Szívófej
- Szőnyegkefe
- Bútorkefe
- Saroktisztító fej
- Körkefe
- Hajlékony cső
- Szűrő
- Előszűrő
- Nagy teljesítményű szűrő
- HEPA szűrő
- Ülészívó fej
- Résszívófej
- Fali tartó vezető nélküli porszívóhoz

- Ciklon tartozék
- Eredeti Makita akkumulátor és töltő

MEGJEGYZÉS: A listában felsorolt alkatrészek egy része a készülékhez mellékelt standard tartozék lehet. Ezek országonként eltérőek lehetnek.

Ciklon tartozék

- **Ábra44:** 1. Kioldógomb 2. Akasztó 3. Csőtoldal 4. Ciklon tartozék 5. Szívónyílás

A ciklon tartozékról

A porszívó felszerelt ciklon tartozékkal történő használata csökkenti a tartályba kerülő por mennyiségét, és az segít megelőzni a szívóerő csökkenését. Ezenkívül könnyebb a használat utáni tisztítás is.

⚠VIGYÁZAT: Mielőtt bármilyen munkát végezne rajta, mindig bizonyosodjon meg arról, hogy kikapcsolta a készüléket.

⚠VIGYÁZAT: Tisztítsa meg a ciklon tartozék szítaszűrőjét és a porszívóegység szűrőit, ha eltömődnek. Ha folytatja a használatot eltömődött állapotban, az felmelegedést vagy füstöt okozhat.

MEGJEGYZÉS: Ha a ciklon tartozék csatlakoztatva van, ne használja a porszívót vízszintes vagy felfelé irányított helyzetben. Ellenkező esetben a szítaszűrő eltömődhet.

MEGJEGYZÉS: Mindig beszerelt szűrőkkel használja a porszívót, még akkor is, amikor a ciklon tartozékot használja. A porszívó beszerelt szűrők nélküli használata a motor meghibásodását okozhatja.

MEGJEGYZÉS: Használat előtt ellenőrizze, hogy a ciklon tartozék, a porszívó és a csőtoldal megfelelően legyenek rögzítve.

MEGJEGYZÉS: Ha összegyűlt a por, ürítse ki a ciklon tartozék porgyűjtő dobozát és a porszívó tartályát. Ha folytatja a használatot, csökken a szívóerő.

MEGJEGYZÉS: A ciklon tartozékot reteszelő funkció nélkül is használhatja.

MEGJEGYZÉS: A ciklon tartozék fel- vagy leszereléséhez olvassa el a „A szívótartozékok felszerelése és eltávolítása” című részt.

A por kiürítése

Ha a por a porgyűjtő dobozon lévő tele vonalig felgyűlt, kövesse az alábbi eljárást, és ürítse ki a port.

1. Tartsa szorosan a porgyűjtő dobozt, tartsa hosszasan lenyomva a két gombot, és vegye ki a porgyűjtő dobozt.

► **Ábra45:** 1. Tele vonal 2. Porgyűjtő doboz 3. Gomb (két helyen) 4. Szítaszűrő

2. Ürítse ki a porgyűjtő doboz belsejéből a port, és távolítsa el a szítaszűrő felületére tapadt port.

3. Nyomja be teljesen a porgyűjtő dobozt, amíg a két gomb egy kattánással nem rögzül.

► **Ábra46:** 1. Porgyűjtő doboz 2. Gomb (két helyen)

⚠VIGYÁZAT: Ügyeljen rá, hogy ne csipje be az ujjait a porgyűjtő doboz és a ciklontest közé az újraösszeszerelés közben.

MEGJEGYZÉS: Ha a szívóerő még a por kiürítése és a szítaszűrő megtisztítása után sem erősödik, ellenőrizze, hogy nem gyűlt-e fel por a porszívó tartályában vagy nem tömődött-e el.

MEGJEGYZÉS: A por felszállhat a ciklon tartozék kiürítésekor. Ügyeljen, hogy a por ne kerüljön a szemébe.

Tisztítás

Ha a porgyűjtő doboz piszkos lesz vagy a szítaszűrő eltömődik, vegye ki azokat, és mossa meg vízzel. (Az eltávolítási eljárást lásd a „Por kiürítése” című részben.)

MEGJEGYZÉS: A porgyűjtő doboz és a szűrők mosása után alaposan szárítsa meg azokat használat előtt. A nem teljesen száraz komponensek áramütést és/vagy sérülést okozhatnak.

► **Ábra47:** 1. Porgyűjtő doboz 2. Szítaszűrő

Ha a szítaszűrő nagyon beszkolódik, tisztítsa meg a következő eljárással.

1. Fordítsa el a szítaszűrőt az ábrán látható módon, és vegye ki, amikor az akasztók elengednek.

► **Ábra48:** 1. Szítaszűrő 2. Akasztó

2. Távolítsa el a szítaszűrőről a port, és mossa meg vízzel. Ezután szárítsa meg alaposan.

3. Helyezze be a szítaszűrőt az alapba, amikor az akasztók egyvonalban vannak a nyílással. Fordítsa el a szítaszűrőt az ábrán látható irányba addig, amíg az akasztók egy kattánással nem rögzülnek. Győződjön meg róla, hogy a szítaszűrő biztonságosan van felhelyezve.

► **Ábra49:** 1. Szítaszűrő 2. Akasztó 3. Nyílás

VAROVANIE

- Toto náradie môžu používať deti staršie ako 8 rokov a osoby so zníženými fyzickými, zmyslovými a duševnými schopnosťami alebo nedostatočnou skúsenosťou, ak pracujú pod dohľadom alebo na základe vydaných pokynov o používaní náradia bezpečným spôsobom a chápu možné riziká.
- Deti sa s náradím nesmú hrať. Deti bez dozoru nesmú vykonávať čistenie a údržbu.
- Informácie o type akumulátora nájdete v kapitole „TECHNICKÉ ŠPECIFIKÁCIE“.
- Spôsob výmeny akumulátora nájdete v časti „Demontáž vstavaného akumulátora“ a „Inštalácia náhradného akumulátora“.
- Litium-iónové akumulátory, ktoré sú súčasťou prístroja, podliehajú požiadavkám legislatívy o nebezpečnom tovare. Akumulátor pri likvidácii vyberte zo zariadenia a zlikvidujte ho na bezpečnom mieste. Akumulátor zlikvidujte v súlade s miestnymi nariadeniami.
- Pri nevhodných podmienkach môže z akumulátora vytekať kvapalina. Nedotýkajte sa jej. Pri náhodnom kontakte ju opláchnite vodou.
- V prípade zasiahnutia očí elektrolytom ich vypláchnite čistou vodou a okamžite vyhľadajte lekársku pomoc. Môže dôjsť k strate zraku.
- Informácie o type nabíjačky nájdete v kapitole „TECHNICKÉ ŠPECIFIKÁCIE“. Na nabíjanie akumulátora používajte iba nabíjačku dodávanú spolu so zariadením.
- Význam symbolov používaných na zariadení nájdete v časti „Symboly“.
- Podrobné informácie týkajúce sa bezpečnostných opatrení počas údržby používateľom nájdete v kapitole „ÚDRŽBA“.

TECHNICKÉ ŠPECIFIKÁCIE

Model:	CL117FD	
Kapacita	650 ml	
Nepretržité používanie (s akumulátorom BL1020V)	3 (režim maximálnych otáčok)	Pribl. 10 min
	2 (režim vysokých otáčok)	Pribl. 18 min
	1 (režim normálnych otáčok)	Pribl. 55 min
Celková dĺžka	Hlavná časť vysávača	457 mm
	S predlžovacou tyčou a hubicou	992 - 1 232 mm
Čistá hmotnosť	1,0 kg	
Menovité napätie	Jednosmerný prúd 10,8 V – 12 V max.	

- Vzhľadom k neustálemu výskumu a vývoju podliehajú technické údaje uvedené v tomto dokumente zmenám bez upozornenia.
- Technické údaje sa môžu pre rôzne krajiny líšiť.
- Hmotnosť nezahŕňa príslušenstvo.
- Na nabíjanie akumulátora používajte iba nabíjačku dodávanú spolu so zariadením.

Použiteľné akumulátory a nabíjačky

Akumulátor	Nabíjačka akumulátorov	Čas nabíjania (v hodinách)
BL1020V	DC1002	2,0

- Čas nabíjania sa mení v závislosti od teploty (10 °C (50 °F) – 40 °C (104 °F)), pri ktorej sa akumulátor nabíja, a stavu akumulátora, napr. akumulátor, ktorý je nový alebo sa dlho nepoužíval.

VAROVANIE: Používajte iba akumulátory a nabíjačky zo zoznamu uvedeného vyššie. Používanie akýchkoľvek iných akumulátorov a nabíjačiek môže spôsobiť zranenie a/alebo požiar.

Symboly

Nižšie sú uvedené symboly, ktoré sa môžu používať pri tomto nástroji. Je dôležité, aby ste poznali ich význam, skôr než začnete pracovať.



Prečítajte si návod na obsluhu.



Odpojiteľná napájacia jednotka



Len pre štáty EÚ
Z dôvodu prítomnosti nebezpečných komponentov v zariadení môžu mať odpad z elektrických a elektronických zariadení, použité akumulátory a batérie negatívny vplyv na životné prostredie a ľudské zdravie.
Elektrické a elektronické zariadenia alebo akumulátory nelikvidujte spolu s komunálnym odpadom!
V súlade s európskou smernicou o odpade z elektrických a elektronických zariadení, o akumulátoroch a batériách a odpade z akumulátorov a batérií, ako aj v súlade s prispôbenými vnútroštátnymi právnymi predpismi by sa odpad z elektrických a elektronických zariadení a použité akumulátory a batérie mali uskladiť osobitne a odovzdávať na samostatnom zbernom mieste pre komunálny odpad, ktoré sa prevádzkuje v súlade s predpismi na ochranu životného prostredia.
Označuje to symbol preškrtnutej smetnej nádoby na zariadení.

Určené použitie

Toto zariadenie je určené na vysávanie suchého prachu.

BEZPEČNOSTNÉ VAROVANIA

Bezpečnostné varovania pre akumulátorový vysávač

VAROVANIE: JE DÔLEŽITÉ, aby ste si PRED POUŽITÍM DÔKLADNE PREČÍTALI všetky varovania a pokyny. Nedodržanie varovaní a pokynov môže mať za následok zasiahnutie elektrickým prúdom, požiar alebo vážne zranenie.

1. **Nevystavujte dažďu. Skladujte v interiéri.**
2. **Nedovoľte, aby sa spotrebič používal ako hračka. Pokiaľ sa na mieste používania vyskytujú deti, je potrebné dávať veľký pozor.**
3. **Používajte len podľa pokynov v tomto návode. Používajte len doplnky schválené výrobcom.**
4. **Poškodený akumulátor nepoužívajte. Pokiaľ náradie nefunguje správnym spôsobom, spadlo, došlo k jeho poškodeniu, bolo ponechané vonku alebo spadlo do vody, odneste ho do servisného strediska.**

5. **S náradím nemanipulujte mokrymi rukami.**
6. **Do otvorov nepchajte žiadne predmety. Náradie nepoužívajte, pokiaľ sú otvory zablokované. Chráňte pred prachom, vláknami, vlasmi a všetkým, čo môže znížiť prietok vzduchu.**
7. **Vlasy, voľný odev, prsty a všetky časti tela majte v dostatočnej vzdialenosti od otvorov a pohyblivých súčastí.**
8. **Pred vybratím akumulátora vypnite všetky ovládacie prvky.**
9. **Maximálnu pozornosť venujte vysávaniu na schodoch.**
10. **Nepoužívajte na vysávanie horľavých alebo zápalných kvapalín, napríklad benzín, ani nepoužívajte na miestach, kde sa tieto kvapaliny môžu vyskytovať.**
11. **Na nabíjanie používajte jedine nabíjačku dodanú výrobcom.**
12. **Nevysávajte nič, čo horí alebo dymí, napríklad cigarety, zápalky alebo horúci popol.**
13. **Nepoužívajte bez založeného vrečka na prach a filtrov.**
14. **Akumulátor nenabíjajte v exteriéri.**
15. **Nabíjajte iba nabíjačkou určenou výrobcom.** Nabíjačka vhodná pre jeden typ akumulátora môže pri inom type akumulátora spôsobiť riziko vzniku požiaru.
16. **Elektrické zariadenia používajte iba s určeným typom akumulátora.** Pri použití akýchkoľvek iných akumulátorových jednotiek vzniká riziko poranenia alebo požiaru.
17. **Keď sa akumulátor práve nepoužíva, skladujte ho v bezpečnej vzdialenosti od iných kovových predmetov, akými sú sponky, mince, kľúče, klince, skrutky alebo iné malé kovové predmety, ktoré by mohli kontakty akumulátora skratovať.**
18. **Pri nevhodných podmienkach môže z akumulátora vytekať kvapalina. Nedotýkajte sa jej. Pri náhodnom kontakte ju opláchnite vodou.**
19. **Nepoužívajte akumulátor alebo zariadenie, ktoré sú poškodené alebo upravované.** Fungovanie poškodených alebo upravovaných akumulátorov ťažko predvídať a môžu zapríčiniť požiar, výbuch alebo zranenie.
20. **Akumulátor ani zariadenie nevystavujte ohňu či nadmernej teplote.** Vystavenie ohňu alebo teploty nad 130 °C môže spôsobiť výbuch.
21. **Dodržujte všetky pokyny pre nabíjanie a akumulátor ani zariadenie nenabíjajte v prípade prekročenia teplotného rozsahu uvedeného v návode.** Nesprávne nabíjanie alebo nabíjanie pri teplotách mimo uvedeného rozsahu môže spôsobiť poškodenie akumulátora a zvýšiť riziko požiaru.

TIETO POKYNY USCHOVAJTE.

ĎALŠIE BEZPEČNOSTNÉ ZÁSADY

1. Pred použitím si pozorne prečítajte tento návod na obsluhu a návod na obsluhu nabíjačky.
2. Nevysávaajte nasledujúce materiály:
 - horúce materiály, akými sú horiace cigarety alebo iskriaci/kovový prach, ktorý vzniká pri brúsení alebo rezaní kovu
 - Horľavé materiály, ako je benzín, riedidlá, benzol, petrolej alebo farby
 - Výbušné materiály, ako je nitroglycerín
 - Zápalné materiály, ako je hliník, zinok, horčík, titán, fosfor a celulozoid
 - Mokré nečistoty, vodu, olej a podobné materiály
 - Tvrdé kusy s ostrými hranami, napríklad drevené triesky, kovy, kamene, sklo, klince, špendlíky alebo žiletky
 - Prachové upchávajúce materiály, napríklad cement či toner
 - Vodivý prach, napríklad kov alebo uhlík
 - Jemné častice, napríklad betónový prachTakéto činnosti môžu zapríčiniť vznik požiaru, poranenie alebo škody na majetku.
3. Ak spozorujete niečo nezvyčajné, okamžite zastavte prácu.
4. Ak vám vysávač spadne alebo ním narazíte, pred ďalším použitím pozorne skontrolujte, či na ňom nie sú praskliny alebo iné poškodenie.
5. Nenabíjajte čistič v blízkosti nebezpečných horľavých materiálov ako benzín, plyn, farby alebo lepidlá.
6. Nenabíjajte čistič na papieri, tkanine, koberci, vinyle a pod. Môže vzniknúť požiar.
7. Nenabíjajte čistič v prašnom prostredí.
8. Keď používate čistič na vyšších miestach, skontrolujte, či niekto nie je pod vami.
9. Nepribližujte sa ním k sporákom ani iným zdrojom tepla.
10. Neblokujte vstupný otvor ani vetracie otvory.

TIETO POKYNY USCHOVAJTE.

DÔLEŽITÉ BEZPEČNOSTNÉ POKYNY

PRE VSTAVANÝ AKUMULÁTOR

1. Pred použitím vstavaného akumulátora si prečítajte všetky pokyny a výstražné značky na (1) nabíjačke akumulátorov, (2) akumulátore a (3) produkte používajúcom akumulátor.
2. Vstavaný akumulátor nerozoberajte.
3. Ak sa doba prevádzky príliš skrúti, ihneď prerušte prácu. Môže nastať riziko prehriatia, možných popálením či dokonca explózie.
4. V prípade zasiahnutia očí elektrolytom ich vypláchnite čistou vodou a okamžite vyhľadajte lekársku pomoc. Môže dôjsť k strate zraku.

5. Vstavaný akumulátor neskratujte:
 - (1) Nedotýkajte sa konektorov žiadnym vodivým materiálom.
 - (2) Vstavaný akumulátor neskladujte v obale s inými kovovými predmetmi, ako sú klince, mince a pod.
 - (3) Vstavaný akumulátor nevystavujte vode ani dažďu. Skrat akumulátora môže spôsobiť veľký tok prúdu, prehriate, možné popáleniny či dokonca poruchu.
6. Zariadenie a vstavaný akumulátor neskladujte a nepoužívajte na miestach, kde by teplota mohla dosiahnuť alebo prekročiť 50 °C (122 °F).
7. Vstavaný akumulátor nespáľujte, ani keď je vážne poškodený alebo úplne opotrebovaný. Vstavaný akumulátor môže v ohni explodovať.
8. Dávajte pozor, aby akumulátor nespadol, a nevystavujte ho nárazom.
9. Nepoužívajte poškodený zabudovaný akumulátor.
10. Litium-iónové akumulátory, ktoré sú súčasťou prístroja, podliehajú požiadavkám legislatívy o nebezpečnom tovare. Akumulátor pri likvidácii vyberte zo zariadenia a zlikvidujte ho na bezpečnom mieste. Akumulátor zlikvidujte v súlade s miestnymi nariadeniami.
11. Akumulátory používajte iba s výrobkami uvedenými spoločnosťou Makita.

TIETO POKYNY USCHOVAJTE.

Rady na udržanie maximálnej životnosti akumulátora

1. Vstavaný akumulátor nabite ešte pred jeho úplným vybitím. Vždy, keď spozorujete pokles výkonu, prestaňte zariadenie používať a nabite vstavaný akumulátor.
2. Nikdy nenabíjajte plne nabitý vstavaný akumulátor. Prebíjanie skracuje životnosť akumulátora.
3. Vstavaný akumulátor nabíjajte pri izbovej teplote 10°C – 40°C (50°F – 104°F). Zahriaty vstavaný akumulátor nechajte pred nabíjaním vychladnúť.
4. Zabudovaný akumulátor nabíjajte raz za šesť mesiacov, ak zariadenie nepoužívate dlhší čas.

OPIS FUNKCIÍ

⚠️ POZOR: Pred nastavovaním alebo kontrolou funkcie prístroja vždy skontrolujte, či je prístroj vypnutý.

Nabíjanie vstavaného akumulátora

⚠️ POZOR: Používajte len originálne akumulátory od spoločnosti Makita. Používanie batérií, ktoré nie sú od spoločnosti Makita, alebo upravených batérií môže spôsobiť výbuch batérie a následný požiar, zranenie osôb alebo poškodeniu majetku. Následkom bude aj zrušenie záruky od spoločnosti Makita na výrobok a nabíjačku od spoločnosti Makita.

⚠️ POZOR: Po nabíjaní vždy odpojte nabíjaciu zástrčku z čističa.

⚠️ POZOR: Po odpojení zariadenia nenechajte nabíjačku v sieti. Hrozí, že si malé deti strčia zástrčku pod napätím do úst a zrania sa.

Čistič nabíjate pred prvým použitím, alebo ak ste ho dlhú dobu nenabíjali. Zapojte nabíjaciu zástrčku do nabíjacieho konektora, potom zapojte nabíjačku do sieťovej zásuvky.

► **Obr.1:** 1. Nabíjacia zástrčka 2. Nabíjací konektor

Indikátor výkonu akumulátora sa rozsvieti a spustí sa nabíjanie. Po dokončení nabíjania indikátor zhasne. Viac informácií nájdete v návode na obsluhu nabíjačky akumulátora.

► **Obr.2:** 1. Indikátor výkonu akumulátora

UPOZORNENIE: Indikátor výkonu akumulátora bliká a akumulátor nie je možné nabíjať, ak sú akumulátor alebo vysávač vystavené extrémnym teplotám.

POZNÁMKA: Vysávač sa nedá ovládať počas nabíjania. Na spustenie vysávača odpojte nabíjačku od zdroja napájania, odpojte nabíjaciu zástrčku od vysávača a potom stlačte tlačidlo ZAPNUTIA/zmeny rýchlosti.

POZNÁMKA: Pri nasledujúcich stavoch sa akumulátor blíží ku koncu svojej prevádzkovej životnosti (alebo je poškodený/má poruchu). Odpojte nabíjačku od zdroja napájania, potom vymeňte akumulátor.

- Indikátor výkonu akumulátora zhasne krátko po začatí nabíjania vysávača.
- Vysávač funguje menej ako polovicu bežného prevádzkového času pri plne nabitom akumulátore.

POZNÁMKA: Akumulátor sa dá opakovane nabíť približne 500-krát. Časy nabíjania sa menia v závislosti od podmienok, v akých sa akumulátor nabíja a vybíja.

Zapínanie

⚠️ POZOR: Vždy po každom použití vypnite vysávač, aby ste zabránili jeho poškodeniu a predĺžili prevádzkovú životnosť akumulátorov.

Na zapnutie vysávača jednoducho stlačte tlačidlo ZAPNUTIA/zmeny rýchlosti. Na vypnutie stlačte tlačidlo VYPNUTIA.

Otáčky vysávača môžete zmeniť v troch krokoch stlačením tlačidla ZAPNUTIA/zmeny rýchlosti.

Pri prvom stlačení tlačidla zapnete režim vysokých otáčok, pri druhom režim maximálnych otáčok a pri treťom režim normálnych otáčok. Pri každom stlačení tlačidla sa budú cyklicky prepínať vysoké/maximálne/normálne otáčky.

► **Obr.3:** 1. Tlačidlo ZAPNUTIA/zmeny rýchlosti 2. Tlačidlo VYPNUTIA

Indikátor výkonu akumulátora

Pokiaľ je zostávajúca kapacita akumulátora nízka, indikátor výkonu akumulátora bliká.

Ak zostávajúca kapacita akumulátora poklesne ešte viac, vysávač sa zastaví a indikátor výkonu akumulátora sa rozsvieti asi na 10 sekúnd. V takomto prípade nabíjate akumulátor.

Taktiež v prípade, ak je akumulátor preťažený alebo prehriaty, vysávač sa zastaví a indikátor výkonu akumulátora sa rozsvieti asi na 10 sekúnd. Vysávač sa počas rozsvieteného indikátora nezapne.

► **Obr.4:** 1. Indikátor výkonu akumulátora

POZNÁMKA: Čas, kedy začne indikátor výkonu akumulátora blikáť alebo svietiť závisí na teplote na pracovisku a na stave akumulátora.

Rozsvietenie kontrolky

⚠️ POZOR: Nedívať sa priamo do svetla ani jeho zdroja.

Na zapnutie svetelného indikátora stlačte tlačidlo ZAPNUTIA/zmeny rýchlosti. Stlačením tlačidla VYPNUTIA vypnete svetelný indikátor. Svetelný indikátor svieti počas aktivácie vysávača.

► **Obr.5:** 1. Tlačidlo ZAPNUTIA/zmeny rýchlosti 2. Tlačidlo VYPNUTIA 3. Svetelný indikátor

ZOSTAVENIE

⚠️ POZOR: Pred vykonaním akejkoľvek práce na spotrebiči vždy skontrolujte, či je spotrebič vypnutý.

Popis súčastí

Vysokovýkonný filter a podpera a penový filter

► **Obr.6:** 1. Puzdro 2. Vysokovýkonný filter 3. Podpera a penový filter

Predfilter alebo vysokovýkonný filter a filter HEPA

Voliteľné príslušenstvo

- **Obr.7:** 1. Puzdro 2. Predfilter 3. Vysokovýkonný filter 4. Filter HEPA

UPOZORNENIE: Nepoužívajte vysokovýkonný filter s inými filterami (voliteľné príslušenstvo).

Môže sa stať, že sa vysokovýkonný filter nebude dať vybrať z vysávača.

POZNÁMKA: Pri použití voliteľného predfiltera s filtrom HEPA neumiestňujte na filter HEPA žiadne iné filtre. Ak na filter HEPA súčasne nasadíte predfilter a iné filtre, sací výkon môže byť nižší.

POZNÁMKA: Pri použití vysokovýkonného filtra s filtrom HEPA nezabudnite pripevniť podporu do vnútra vysokovýkonného filtra.

- **Obr.8:** 1. Podpera 2. Vysokovýkonný filter

Likvidácia prachu

▲POZOR: Vysávač vyprázdnite ešte pred úplným zaplnením, inak dôjde k zníženiu sacieho výkonu.

▲POZOR: Vnútro vysávača nezabudnite očistiť od prachu. V opačnom prípade môže dôjsť k upchaniu filtra alebo k poškodeniu motora.

Zachytávaniu prachu na filtri v puzdre zabránite, keď 4- alebo 5-krát poklepte rukou po puzdre.

- **Obr.9:** 1. Puzdro 2. Nasávací otvor

Otočte nasávací otvor smerom nadol, otočte puzdro v smere šípky zobrazenej na schéme a pomaly a priamym smerom odpojte puzdro.

- **Obr.10:** 1. Puzdro 2. Nasávací otvor

POZNÁMKA: Po otvorení puzdra môže dôjsť k rozsypaniu prachu, preto pod puzdro podložte vrečko na odpadky.

Odstráňte nahromadený prach z vnútra puzdra a z vysokovýkonného filtra.

- **Obr.11:** 1. Puzdro 2. Vysokovýkonný filter

Vysokovýkonný filter otočte v smere šípky, čím uvoľníte zaistujúci okraj od jednotky vysávača; následne filter vytiahnite.

- **Obr.12:** 1. Zaistujúci okraj

POZNÁMKA: Pri používaní predfiltera takisto postupujte podľa postupu uvedeného vyššie.

Vyčistíte jemný prach a jemným poklepaním odstráňte prach z vysokovýkonného filtra.

Spätná montáž

Pripojte vysokovýkonný filter. V tomto štádiu otočte vysokovýkonný filter tak, aby došlo k pevnému zablokovaniu zaistujúceho okraja k jednotke vysávača.

- **Obr.13:** 1. Vysokovýkonný filter

- **Obr.14:** 1. Zaistujúci okraj

UPOZORNENIE: Pred použitím vysávača vždy skontrolujte správnosť osadenia vysokovýkonného filtra. V prípade nesprávneho nasadenia sa prach bude dostávať do motorovej skrine, dôsledkom čoho bude porucha motora. Ak dôjde k problému opísanému ďalej, vysokovýkonný filter je osadený nesprávne. Správnym založením problém odstránite.

Pripevnite puzdro. Zarovnajte znak na puzdre so znakom na rukoväti a následne pevne otočte puzdro v smere šípky, až kým nedôjde k jeho zablokovaniu.

- **Obr.15:** 1. Značka 2. Rukoväť 3. Puzdro

POZNÁMKA: Prach vždy odstraňujte v dostatočnom predstihu, pretože pokiaľ bude vo vysávači veľa prachu, dôjde k zníženiu sacieho výkonu.

Príklady problémov

Zaistujúci okraj vysokovýkonného filtra nie je pevne zablokovaný v drážke na skrini vysávača.

- **Obr.16:** 1. Zaistujúci okraj 2. Drážka skrine vysávača

Montáž a demontáž podpery/filtra HEPA

Voliteľné príslušenstvo

Pre podporu a penový filter

Ak chcete odstrániť podporu, prstami potlačte spodnú časť stĺpikov z podpery a uvoľníte drážku z výčnelka na vysávači. Potom vyberte penový filter.

- **Obr.17:** 1. Podpera 2. Penový filter

Pri vkladaní zarovnajte drážky na podpere s výčnelkami na vysávači a zatlačte, aby zacvakla.

Vložte penový filter medzi stĺpiky a dajte ho späť na pôvodné miesto.

Pre filter HEPA

Pri inštalácii filtra HEPA zarovnajte drážku filtra HEPA s výčnelkom na vysávači. Potom vložte predfilter alebo vysokovýkonný filter na filter HEPA a zaistíte otočením. Pri demontáži postupujte podľa postupu montáže v opačnom poradí.

- **Obr.18:** 1. Filter HEPA 2. Predfilter

- **Obr.19:** 1. Filter HEPA 2. Vysokovýkonný filter

PREVÁDZKA

▲POZOR: Pri práci s vysávačom sa nepribližujte tvárou k vetracím otvorom. Ak sa fúknú do očí cudzie predmety, môže to spôsobiť zranenie.

Montáž a demontáž nastavcov vysávača

▲POZOR: Po vložení nastavca skontrolujte, či je pevne nainštalovaný. Ak nastavec nie je vloženy správne, mohol by sa uvoľniť a spôsobiť poranenie.

▲POZOR: Pri demontáži nastavcov dávajte pozor, aby ste si neudreli ruku o stenu a pod.

Pri používaní nastavca s funkciou zaistenia

Nastavec vkladajte cez nasávací otvor vysávača, kým nezacvakne na svoje miesto. Uistite sa, že je nastavec zaistený.

► **Obr.20:** 1. Nasávací otvor 2. Nastavec s funkciou zaistenia 3. Háčik 4. Uvoľňovacie tlačidlo

UPOZORNENIE: Pri vkladaní nastavca s funkciou zaistenia zarovnajete uvoľňovacie tlačidlo na vysávači s háčikom na nastavci. Ak nie sú zarovnané, nastavec sa nezaistí a môže sa uvoľniť z vysávača.

Ak chcete nastavec odstrániť, stlačte a podržte uvoľňovacie tlačidlo a odpojte ho od vysávača.

► **Obr.21:** 1. Uvoľňovacie tlačidlo 2. Nastavec s funkciou zaistenia

Pri používaní nastavca bez funkcie zaistenia

▲POZOR: Ak chcete nainštalovať nastavec bez funkcie zaistenia, vložte ho do nasávacieho otvoru vysávača otočením tak, ako je znázornené na obrázku. Ak chcete nastavec odpojiť, odpojte ho od vysávača otočením tak, ako je znázornené na obrázku. Nastavec neotáčajte v opačnom smere, ako je šípka na obrázku, pretože môže dôjsť k uvoľneniu puzdra od vysávača.

► **Obr.22**

Nastavenie dĺžky predĺžovacej tyče vysúvacieho typu

Voliteľné príslušenstvo

Na uvoľnenie poistky posuňte a podržte posuvné tlačidlo dopredu alebo dozadu. Vytiahnite vysúvaciu tyč na požadovanú dĺžku. Potom uvoľnite posuvné tlačidlo, aby sa vysúvací tyč zaistila v danej polohe.

► **Obr.23:** 1. Posuvné tlačidlo 2. Vysúvací tyč

POZNÁMKA: Pre bezpečnú inštaláciu nezabudnite po uvoľnení posuvného tlačidla mierne potiahnuť vysúvaciu tyč dovnútra a von, aby sa zaistila poistka.

► **Obr.24**

Čistenie (vysávanie)

Hubica

Nasadte hubicu, keď chcete čistiť stoly, pracovné stoly, nábytok a pod. Hubica sa ľahko nasúva.

► **Obr.25:** 1. Hubica

Hubica + predĺžovacia tyč

Predĺžovacia tyč sa vkladá medzi hubicu a samotný vysávač. Toto usporiadanie je praktické pri vysávaní podlahy postojacky.

► **Obr.26:** 1. Hlavná časť vysávača 2. Predĺžovacia tyč 3. Hubica

Rohová hubica

Nasadte rohový hubicu, keď chcete vysávať v rohoch a štrbinách v aute alebo na nábytku.

► **Obr.27:** 1. Rohová hubica 2. Hlavná časť vysávača

Rohový hubicu môžete uložiť do držiaka na hubicu.

► **Obr.28:** 1. Držiak na hubicu 2. Rohová hubica

▲POZOR: Dávajte pozor, aby ste si nepricvikli prsty medzi rohový hubicu a držiak na hubicu. Zachytenie prstov v tomto priestore môže spôsobiť zranenie.

Rohová hubica + predĺžovacia tyč

Toto usporiadanie použite v tesných rohoch, kam sa samotný vysávač nepretlačí, alebo na vysokých ťažko dosiahnuteľných miestach.

► **Obr.29:** 1. Rohová hubica 2. Predĺžovacia tyč 3. Hlavná časť vysávača

Vysávanie bez hubice

Prášok a prach môžete vysávať aj bez hubice.

► **Obr.30**

Na vysávanie podlahy postojacky je pohodlné pripojiť k vysávaču predĺžovaciu tyč.

► **Obr.31:** 1. Predĺžovacia tyč

ÚDRŽBA

▲POZOR: Kontrolu alebo údržbu spotrebiča vykonávajte až vtedy, keď ste si istí, že je vypnutý.

Ak chcete udržať BEZPEČNOSŤ a BEZPORUCHOVOSŤ výrobku, prenechajte opravy, údržbu a nastavenie na autorizované alebo továrenské servisné centrá Makita, ktoré používajú len náhradné diely značky Makita.

UPOZORNENIE: Nepoužívajte benzín, riedidlo, alkohol ani podobné látky. Mohlo by to spôsobiť zmenu farby, deformácie alebo praskliny.

Po použití

Pri skladovaní alebo nabíjaní čističa zaistíte hlavu hubice a zaveste ju na hák dostupný na trhu.

► Obr.32

⚠ POZOR: Ak vysávač opriete o stenu bez akejkoľvek inej podpory, môže vysávač spadnúť, v dôsledku čoho môže dôjsť k zraneniu osôb alebo poškodeniu vysávača.

► Obr.33

Čistenie

UPOZORNENIE: Neodfukujte prach usadený na vysávači pomocou odfukovača vzduchu. Spôsobí to vniknutie prachu do krytu a môže dôjsť k poruche.

UPOZORNENIE: Pred ďalším použitím umyté filtre dôkladne vysušte. Nedostatočne vysušené filtre môžu zapríčiniť slabý výkon nasávania a skrátiť životnosť motora.

UPOZORNENIE: Po vyčistení filtrov a penového filtra ich nezabudnite pred použitím nainštalovať späť. Ak použijete vysávač bez filtrov a penového filtra, dostane sa prach do krytu motora a spôsobí poruchu.

Hlavná časť vysávača

Z času na čas utrite vonkajšie plochy (telo vysávača) pomocou handričky navlhčenej v mydlovej vode. Vyčistíte aj sací otvor a montážnu oblasť filtrov.

► Obr.34

Vysokovýkonný filter

Keď je filter zanesený prachom a výkon vysávača slabne, vyperte filter v mydlovej vode. Pred použitím filter dôkladne vysušte.

► Obr.35

Filter HEPA

Voliteľné príslušenstvo

UPOZORNENIE: Po HEPA filtri nešúchajte ani neškriabte tvrdými predmetmi, ako sú kečka a škrabka.

Zanesený HEPA filter spôsobuje slabý sací výkon. Filter občas vyčistíte.

Príležitostne vyperte filter HEPA vo vode, opláchnite ho a pred použitím nechajte dôkladne vyschnúť na tienistom mieste. Filter nikdy neperte v práčke.

► Obr.36

Penový filter

Keď je penový filter znečistený, vyčistíte ho nasledujúcim spôsobom.

1. Vyberte filter.
2. Vytiahnite penový filter z priestoru medzi stĺpkami.
3. Penový filter vyprášte alebo umyte. Ak filter umyjete, pred použitím ho dôkladne vysušte.
4. Vložte penový filter do priestoru medzi stĺpkami a dajte ho späť na pôvodné miesto. Uistite sa, že spodný okraj každého stĺpika pridržiava penový filter, a že medzi penovým filtrom a nasávacím otvorom nie je žiadna medzera.

► Obr.37: 1. Penový filter 2. Spodný okraj stĺpika

Čistenie hubice

Keď je kefa hubice znečistená, vyčistíte ju od prachu použitím lepiacej pásky.

► Obr.38: 1. Kefa

Nástenný držiak pre akumulátorový vysávač

Voliteľné príslušenstvo

POZNÁMKA: Skrutka na montáž držiaka nie je súčasťou balenia. Pripravte si skrutku, ktorá je vhodná pre materiál, do ktorého ju chcete zavŕtať.

Nástenný držiak pre akumulátorový vysávač pripevnite na tvrdú drevenú stenu, trám alebo stĺp, kde sa nástenný držiak pre akumulátorový vysávač dá pevne prichytiť. Pred zavesením vysávača sa uistíte, že nástenný držiak pre akumulátorový vysávač je pevne prichytený.

► Obr.39: 1. Nástenný držiak pre akumulátorový vysávač 2. Zástrčka

⚠ POZOR: Vysávač nevešajte na nástenný držiak prudko, ani na držiak nevešajte iné predmety ako vysávač.

POZNÁMKA: Keď nenabijate vysávač, zástrčku možno uložiť na nástennom držiaku pre akumulátorový vysávač podľa obrázka.

Odstraňovanie problémov

Skôr, než požiadate o opravu, preverte nasledujúce body.

Príznak	Čo treba skontrolovať	Spôsob nápravy
Slabý sací výkon	Je puzdro plné prachu?	Vyprázdňte prach z puzdra.
	Je filter upchatý?	Vyčistíte alebo opláchnite filter.
	Je akumulátor vybitý?	Akumulátor nabite.
Náradie nefunguje	Je akumulátor vybitý?	Akumulátor nabite.
Hluk a vibrácie	Je filter zanesený?	Vyčistíte alebo opláchnite filter.
	Sú hubica, trubica alebo nasávací otvor spotrebiča zanesené?	Odstráňte zanesenie z hubice, trubice alebo nasávacieho otvoru spotrebiča.
	Je zablokovaná hubica/vstup trubice?	Neblokujte hubicu/vstup trubice.

UPOZORNENIE: Opravu sa nepokúšajte vykonať sami.

Likvidácia čističa

V tomto čističi je vstavaný lítiovo-iónový akumulátor. Pred likvidáciou čističa ho vždy vyberte.

Demontáž vstavaného akumulátora

⚠ POZOR: Nedotýkajte sa konektorov žiadnym vodivým materiálom.

⚠ POZOR: Neskladujte jednotku akumulátora v obale s inými kovovými predmetmi, napríklad klincami, mincami a pod.

⚠ POZOR: Jednotku akumulátora nevystavujte vode alebo dažďu.

⚠ POZOR: Jednotku akumulátora nerozoberajte ani neupravujte.

⚠ POZOR: Pri vyberaní akumulátora musí byť čistič odpojený od sieťového napájania.

⚠ POZOR: Pri vyberaní a inštalácii jednotky akumulátora pevne držte spotrebič a jednotku akumulátora. Ak to neurobíte, môžu sa vám vyšmyknúť z rúk, výsledkom čoho bude poškodenie spotrebiča a jednotky akumulátora a poranenie.

⚠ POZOR: Pri vyberaní a inštalácii jednotky akumulátora dávajte pozor, aby ste si neprivilili prsty medzi vysávač, zadný kryt a jednotku akumulátora. Zachytenie prstov v tomto priestore môže spôsobiť zranenie.

1. Ak chcete odstrániť zadný kryt, zatlačte ho v smere šípky.
► **Obr.40:** 1. Zadný kryt
2. Vstavaný akumulátor napoly vysuňte. Od akumulátora odpojte káble miernym posunutím akumulátora dozadu, pričom stlačte konektor v smere šípky, ako je to znázornené na obrázku.
► **Obr.41:** 1. Konektor 2. Káble
3. Následne úplne vysuňte jednotku akumulátora.
► **Obr.42:** 1. Jednotka akumulátora
4. Odstráňte jednotku akumulátora vložte do kartónovej škatule, aby nedošlo k jej skratovaniu.

Inštalácia náhradného akumulátora

Pri inštalácii náhradného akumulátora vykonajte postup demontáže v opačnom poradí.

⚠ POZOR: Pred opätovným nasadením zadného krytu do pôvodnej polohy ved'te kábel tak, aby sa úplne zasunul dovnútra vysávača. V opačnom prípade to môže viesť k poškodeniu kábla.

► **Obr.43**

Po inštalácii akumulátora (pozri „TECHNICKÉ ŠPECIFIKÁCIE“) treba akumulátor pred použitím nabiť.

VOLITEĽNÉ PRÍSLUŠENSTVO

⚠ POZOR: Pre váš spotrebič Makita opísaný v tomto návode odporúčame používať toto príslušenstvo a nadstavce. Pri použití iného príslušenstva či nadstavcov môže hroziť nebezpečenstvo zranenia osôb. Príslušenstvo a nadstavce sa môžu používať len na stanovené účely.

Ak potrebujete bližšie informácie týkajúce sa tohoto príslušenstva, obráťte sa na vaše miestne servisné stredisko firmy Makita.

- Predlžovacia tyč
- Hubica
- Hubica na vysávanie kobercov
- Kečka na vysávanie políc
- Rohová hubica
- Okrúhla kečka
- Ohybná hadica
- Filter
- Predfilter
- Vysokovýkonný filter
- Filter HEPA
- Hubica na čalúnenie
- Štrbinová hubica
- Nástenný držiak pre akumulátorový vysávač
- Cyklónový nadstavce
- Originálna batéria a nabíjačka Makita

POZNÁMKA: Niektoré položky zo zoznamu môžu byť súčasťou balenia spotrebiča vo forme štandardného príslušenstva. Rozsah týchto položiek môže byť v každej krajine odlišný.

Cyklónový nadstavec

- **Obr.44:** 1. Uvoľňovacie tlačidlo 2. Háčik
3. Predlžovacia tyč 4. Cyklónový nadstavec
5. Nasávací otvor

O cyklónovom nadstavci

Používanie vysávača s namontovaným cyklónovým nadstavcom znižuje množstvo prachu, ktoré sa dostane do puzdra, čo pomáha zabrániť zníženiu sacej sily. Okrem toho je jednoduchšie aj čistenie po použití.

▲POZOR: Pred vykonaním akejkoľvek práce na spotrebiči vždy skontrolujte, či je spotrebič vypnutý.

▲POZOR: Vyčistíte sitkový filter cyklónového nadstavca a filtre vysávača, keď sa upchajú. Ich ďalšie používanie v upchatom stave môže spôsobiť zohriatie alebo dym.

UPOZORNENIE: Keď je pripojený cyklónový nadstavec, vysávač nepoužívajte vo vodorovnej polohe alebo v polohe smerom hore. V opačnom prípade sa môže sitkový filter upchať.

UPOZORNENIE: Vysávač používajte vždy s nainštalovanými filtrami, aj keď používate cyklónový nadstavec. Používanie vysávača bez nainštalovaných filtrov môže spôsobiť poruchu motora.

POZNÁMKA: Pred použitím skontrolujte, či sú cyklónový nadstavec, vysávač a predlžovacia tyč riadne zaistené.

POZNÁMKA: Keď sa prach nahromadí, vyprázdnite nádobu na prach cyklónového nadstavca a puzdro vysávača. Pokračovanie v používaní spôsobí zníženie sacej sily.

POZNÁMKA: Cyklónový nadstavec môžete použiť aj bez funkcie zaistenia.

POZNÁMKA: Pri montáži alebo demontáži cyklónového nadstavca si pozrite časť „Montáž a demontáž nadstavcov vysávača“.

Vyprázdnenie prachu

Keď sa prach nahromadí až po plnú čiaru nádoby na prach, vyprázdnite ho podľa nasledujúcich pokynov.

1. Pevne uchopte nádobu na prach, stlačte a držte dve tlačidlá a nádobu na prach vyberte.

► **Obr.45:** 1. Plná čiara 2. Nádobu na prach
3. Tlačidlo (dve miesta) 4. Sitkový filter

2. Vyprázdnite prach z nádoby na prach a odstráňte prach a jemný prach nalepené na povrchu sitkového filtra.

3. Nádobu na prach vložte úplne dnu, kým sa dve tlačidlá nezaistia zacvaknutím.

► **Obr.46:** 1. Nádobu na prach 2. Tlačidlo (dve miesta)

▲POZOR: Pri opätovnej montáži dávajte pozor, aby ste nepricvikli prsty medzi nádobu na prach a hlavnú časť cyklónovej jednotky.

POZNÁMKA: Ak sa sacia sila neobnoví ani po vyprázdnení prachu a vyčistení sitkového filtra, skontrolujte, či nie je nahromadený prach v puzdre vysávača alebo či nedošlo k upchatiu.

POZNÁMKA: Prach sa môže pri vyprázdňovaní cyklónového nadstavca rozptýliť do okolia. Dávajte pozor, aby sa vám prach nedostal do očí.

Čistenie

Keď sa znečistí nádoba na prach alebo sa upchá sitkový filter, vyberte ich a umyte vo vode. (Postup pri vyberaní nájdete v časti „Vyprázdnenie prachu“.)

UPOZORNENIE: Po umytí nádoby na prach a filtrov ich pred ďalším použitím dôkladne vysušte. Nedostatočne vysušené komponenty môžu spôsobiť zásah elektrickým prúdom a/alebo zranenie.

► **Obr.47:** 1. Nádobu na prach 2. Sitkový filter

Keď sa sitkový filter veľmi znečistí, vyčistite ho podľa nasledujúceho postupu.

1. Otočte sitkový filter podľa obrázka a keď sú háčiky odistené, vyberte ho.

► **Obr.48:** 1. Sitkový filter 2. Háčik

2. Odstráňte prach na sitkovom filtri a umyte ho vo vode. Potom ho dôkladne vysušte.

3. Sitkový filter vložte do základne a háčiky zarovnajete s otvorom. Otáčajte sitkovým filtrom tak, ako je znázornené na obrázku, kým sa háky s cvaknutím nezaistia. Uistite sa, že je sitkový filter bezpečne nainštalovaný.

► **Obr.49:** 1. Sitkový filter 2. Háčik 3. Otvor

VAROVÁNÍ

- Zařízení mohou používat děti od 8 let a osoby s omezenými fyzickými, smyslovými či duševními schopnostmi nebo s nedostatečnými zkušenostmi a znalostmi, jestliže jsou pod dohledem nebo pokud byly poučeny ohledně bezpečného používání výrobku a rozumí souvisejícím rizikům.
- Nedovoďte dětem, aby si se zařízením hrály. Čištění a uživatelskou údržbu nesmí provádět děti bez dozoru.
- Referenční typ akumulátoru naleznete v kapitole „SPECIFIKACE“.
- Postup výměny akumulátoru naleznete v částech „Vyjmutí vestavěného akumulátoru“ a „Vložení náhradního akumulátoru“.
- Obsažené lithium-iontové akumulátory podléhají právním požadavkům na nebezpečné zboží. Při likvidaci akumulátoru jej vyjměte ze zařízení a zlikvidujte jej na bezpečném místě. Při likvidaci akumulátoru postupujte podle místních předpisů.
- Při hrubém zacházení může z akumulátoru uniknout elektrolyt. Vyvarujte se styku s ním. Pokud dojde k náhodnému kontaktu, omyjte zasažené místo vodou.
- Jsou-li vaše oči zasaženy elektrolytem, vypláchněte je čistou vodou a okamžitě vyhledejte lékařskou pomoc. Může dojít ke ztrátě zraku.
- Referenční typ nabíječky naleznete v kapitole „SPECIFIKACE“. K nabíjení akumulátoru používejte pouze nabíječku, která byla dodána se zařízením.
- Významy symbolů použitých u tohoto zařízení naleznete v části „Symboly“.
- Příslušné podrobnosti o opatřeních během uživatelské údržby viz kapitola „ÚDRŽBA“.

SPECIFIKACE

Model:		CL117FD
Kapacita		650 ml
Nepřetržitě použití (s akumulátorem BL1020V)	3 (Režim maximálních otáček)	Přibližně 10 min
	2 (Režim vysokých otáček)	Přibližně 18 min
	1 (Režim normálních otáček)	Přibližně 55 min
Celková délka	Tělo vysavače	457 mm
	S prodlužovacím nástavcem a hubicí	992 - 1 232 mm
Čistá hmotnost		1,0 kg
Jmenovité napětí		10,8 V – 12 V DC max

- Vzhledem k neustálému výzkumu a vývoji zde uvedené technické údaje podléhají změnám bez upozornění.
- Specifikace se mohou pro různé země lišit.
- V údajích o váze nejsou zohledněna příslušenství.
- K nabíjení akumulátoru používejte pouze nabíječku, která byla dodána se zařízením.

Použitelný akumulátor a nabíječka

Akumulátor	Nabíječka akumulátorů	Doba nabíjení (v hodinách)
BL1020V	DC1002	2,0

- Doba nabíjení se mění podle teploty (10 °C (50 °F)–40 °C (104 °F)), při níž je akumulátor nabíjen, a stavu akumulátoru, zda je nový nebo zda nebyl dlouho používán.

⚠VAROVÁNÍ: Používejte pouze výše uvedené akumulátory a nabíječky. Použití jiných akumulátorů a nabíječek může způsobit zranění a/nebo požár.

Symbyoly

Níže jsou uvedeny symbyoly, se kterými se můžete při použití nářadí setkat. Je důležité, abyste dříve, než s ním začnete pracovat, pochopili jejich význam.



Přečtete si návod k obsluze.



Odjímatelná jednotka zdroje



Ni-MH
Li-Ion

Pouze pro země EU
Z důvodu přítomnosti nebezpečných součástí v zařízení mohou odpadní elektrické a elektronické zařízení, akumulátory a baterie negativně ovlivnit životní prostředí a lidské zdraví.
Elektrické a elektronické spotřebiče ani akumulátory nevyhazujte do domovního odpadu. V souladu s evropskou směrnicí o odpadních elektrických a elektronických zařízeních, akumulátorech a bateriích a odpadních akumulátorech a bateriích, stejně jako jejím přížposobením ve vnitrostátním právu, by odpadní elektrická zařízení, baterie a akumulátory měly být uchovávány odděleně a měly by být odevzdány na vyhrazeném sběrném místě komunálního odpadu, které je provozováno v souladu s předpisy na ochranu životního prostředí. Toto je označeno symbolem přeškrtnuté popelnicke na kolečkách, který je umístěn na zařízení.

Účel použití

Zařízení je určeno k vysávání suchého prachu.

BEZPEČNOSTNÍ VÝSTRAHY

Bezpečnostní varování k akumulátorovému vysavači

VAROVÁNÍ: DŮLEŽITÉ: PŘED POUŽITÍM SI POZORNĚ PŘEČTĚTE veškeré bezpečnostní výstrahy a všechny pokyny. Zanedbání výstrah a pokynů může mít za následek úraz elektrickým proudem, vznik požáru nebo vážné zranění.

1. Nevystavujte zařízení dešti. Skladujte ve vnitřních prostorách.
2. Nedovolte, aby si se zařízení hrály děti. Při používání dětmi nebo v jejich blízkosti je vyžadována zvýšená pozornost.
3. Se zařízením pracujte pouze v souladu s touto příručkou. Používejte pouze nástavce doporučené výrobcem.
4. Přístroj nepoužívejte s poškozeným akumulátorem. Jestliže zařízení nepracuje správně, upadlo, bylo poškozeno, ponecháno venku nebo spadlo do vody, předejte je k opravě v servisním středisku.
5. Se zařízením nemanipulujte mokřými rukama.

6. Nevkládejte žádné předměty do otvorů. S vysavačem nepracujte, pokud je nějaký otvor zablokovan – otvory udržujte v čistotě od prachu, chuchvalců, vlasů a všech nečistot, jež by mohly bránit průchodu vzduchu.
7. Vlasy, volný oděv, prsty a žádné části těla nepřibližujte k otvorům a pohyblivým částem.
8. Před vyjmutím akumulátoru vypněte všechny ovládací prvky.
9. Zvláště opatrní buďte při práci na schodech.
10. Přístroj nepoužívejte k vysávání hořlavých či zápalných kapalin, například benzínu, a nepracujte v místech, kde se tyto látky mohou vyskytovat.
11. K nabíjení používejte pouze nabíječku doporučenou výrobcem.
12. Nevysávejte nic hořícího či doutnajícího, například cigarety, zápalky ani horký popel.
13. Nepoužívejte bez vaku na prach nebo filtrů.
14. Nenabíjete akumulátor venku.
15. Nabíjení provádějte pouze pomocí nabíječky určené výrobcem. Nabíječka vhodná pro jeden typ akumulátoru může při použití s jiným akumulátorem vést ke vzniku nebezpečí požáru.
16. Zařízení používejte pouze s určenými akumulátory. Použití jiných akumulátorů může vyvolat nebezpečí zranění a požáru.
17. Není-li akumulátor používán, uložte jej v místě bez kovových předmětů, jimiž jsou například kancelářské sponky, mince, klíče, hřebíky, šrouby či jiné drobné kovové předměty, jež by mohly spojit kontakty.
18. Při hrubém zacházení může z akumulátoru uniknout elektrolyt. Vyvarujte se styku s ním. Pokud dojde k náhodnému kontaktu, omyjte zasažené místo vodou.
19. Nepoužívejte poškozený nebo upravený akumulátor nebo zařízení. U poškozených nebo upravených akumulátorů může dojít k neočekávanému chování, které může mít za následek požár, výbuch nebo riziko poranění.
20. Akumulátor nebo zařízení nevystavujte ohni ani nadměrným teplotám. Při vystavení žáru ohně nebo teplotám nad 130 °C může dojít k výbuchu.
21. Postupujte dle pokynů pro nabíjení a akumulátor nebo zařízení nenabíjete mimo teplotní rozsah specifikovaný v pokynech. Nesprávné nabíjení při teplotách mimo stanovený rozsah může poškodit akumulátor a zvýšit riziko požáru.

TYTO POKYNY USCHOVEJTE.

DOPLŇKOVÁ BEZPEČNOSTNÍ PRAVIDLA

1. Před použitím si pozorně přečtete tento návod k obsluze a návod k obsluze nabíječky.
2. Nevysávejte následující materiály:
 - Žhavé materiály jako hořící cigarety, jiskry nebo kovový prach vznikající při broušení či řezání kovu
 - Hořlavé materiály jako benzin, ředidlo, benzen, petrolej či barvy
 - Výbušné materiály jako nitroglycerin
 - Zápalné materiály jako hliník, zinek, magnezium, titan, fosfor či celulozid
 - Vlhké nečistoty, vodu, olej apod

- Tvrdé střeby s ostrými hranami, například dřevěné třísky, kovové, kamenné a skleněné odštěpky, hřebíky, špendlíky, holicí čepelky
 - Tvrdnoucí prach, například cement či toner
 - Vodivý prach, například kovový či uhlýný
 - Jemné částice, například betonový prach
- Takový postup může způsobit požár, zranění či škody na majetku.
3. Pokud si během provozu povšimnete čehokoliv neobvyklého, přerušete okamžitě práci.
 4. Pokud vysavač upustíte nebo do něho silně bouchnete, zkontrolujte před použitím, zda nedošlo k jeho poškození.
 5. Nenabíjejte vysavač v blízkosti nebezpečných hořlavých materiálů, jako jsou benzín, plyn, barvy nebo lepidla.
 6. Nenabíjejte vysavač na papíru, textilu, koberci, vinyly atd. Mohlo by dojít k požáru.
 7. Nenabíjejte vysavač v prašném prostředí.
 8. Při práci s vysavačem ve výškách dbejte, aby se pod vámi nepohybovaly žádné osoby.
 9. Udržujte jej v bezpečné vzdálenosti od sporáků a jiných zdrojů tepla.
 10. Neblokujte nasávací otvor a větrací otvory.

TYTO POKYNY USCHOVEJTE.

DŮLEŽITÉ BEZPEČNOSTNÍ POKYNY

PRO VESTAVĚNÝ AKUMULÁTOR

1. Před použitím vestavěného akumulátoru si přečtěte všechny pokyny a varovné symboly na (1) nabíječe, (2) akumulátoru a (3) výrobku využívajícím akumulátor.
2. Vestavěný akumulátor nedemontujte.
3. Pokud se výrazně zkrátí provozní doba akumulátoru, přerušete okamžitě práci. V opačném případě existuje riziko přehřívání, popálení nebo dokonce výbuchu.
4. Jsou-li vaše oči zasaženy elektrolytem, vypláchněte je čistou vodou a okamžitě vyhledejte lékařskou pomoc. Může dojít ke ztrátě zraku.
5. Zabraňte zkratu vestavěného akumulátoru:
 - (1) Nedotýkejte se svorek žádným vodivým materiálem.
 - (2) Vestavěný akumulátor neskladujte spolu s jinými kovovými předměty, jako jsou hřebíky, mince atd.
 - (3) Nevystavuje akumulátor vodě a dešti. Zkrat akumulátoru může způsobit velký průtok proudu, přehřátí, možné popálení a dokonce i poruchu.
6. Neskladujte a nepoužívejte zařízení a vestavěný akumulátor na místech, kde může teplota překročit 50 °C (122 °F).
7. Nevhazujte akumulátor do ohně, ani když je vážně poškozen nebo úplně opotřeben. Akumulátor může v ohni explodovat.
8. Dávejte pozor, abyste akumulátor neupustili ani s ním nenaráželi.
9. Nepoužívejte poškozený vestavěný akumulátor.

10. Obsažené lithium-iontové akumulátory podléhají právním požadavkům na nebezpečné zboží. Při likvidaci akumulátoru jej vyjměte ze zařízení a zlikvidujte jej na bezpečném místě. Při likvidaci akumulátoru postupujte podle místních předpisů.
11. Akumulátor používejte pouze s výrobky specifikovanými společností Makita.

TYTO POKYNY USCHOVEJTE.

Tipy k zajištění maximální životnosti akumulátoru

1. Vestavěný akumulátor nabíjejte před jeho úplným vybitím. Pokud si povšimnete sníženého výkonu zařízení, vždy jej zastavte a dobijte akumulátor.
2. Nikdy nenabíjejte úplně nabitý akumulátor. Přebíjení zkracuje životnost akumulátoru.
3. Vestavěný akumulátor dobíjejte při pokojové teplotě od 10°C do 40°C (50°F až 104°F). Před nabíjením nechte horký akumulátor vychladnout.
4. Nebudete-li zařízení delší dobu používat, nabíjete vestavěný akumulátor jednou za šest měsíců.

POPIS FUNKCÍ

⚠️ UPOZORNĚNÍ: Před nastavováním zařízení nebo kontrolou jeho funkce se vždy přesvědčte, že je vypnuté.

Nabíjení vestavěného akumulátoru

⚠️ UPOZORNĚNÍ: Používejte pouze originální akumulátory Makita. Používání neoriginálních nebo upravených akumulátorů může způsobit explozi akumulátoru a následný požár, zranění a jiné poškození. Zaniká tím také záruka společnosti Makita na výrobek a nabíječku Makita.

⚠️ UPOZORNĚNÍ: Po nabíjení vždy odpojte nabíjecí zástrčku od vysavače.

⚠️ UPOZORNĚNÍ: Po odpojení zařízení nenechávejte nabíječku v zásuvce. Malé děti by si mohly strčit zástrčku pod napětím do pusy a způsobit si zranění.

Před prvním použitím, nebo pokud nebyl vysavač dlouho nabíjen, jej nabíjete. Nabíjecí zástrčku připojte k nabíjecímu konektoru a pak nabíječku připojte k síťové zásuvce.

► **Obr.1:** 1. Nabíjecí zástrčka 2. Nabíjecí konektor
Rozsvítí se kontrolka energie akumulátoru a spustí se nabíjení. Po dokončení nabíjení světlo zhasne. Více podrobností naleznete v návodu k použití nabíječky akumulátorů.

► **Obr.2:** 1. Kontrolka energie akumulátoru

POZOR: Kontrolka energie akumulátoru bliká a akumulátor nelze nabíjet, jestliže jsou akumulátor či vysavač vystaveny extrémním teplotám.

POZNÁMKA: Vysavač nelze během nabíjení ovládat. Chcete-li vysavač spustit, odpojte nabíječku od zdroje energie, odpojte nabíjecí zástrčku z vysavače a poté stiskněte tlačítko zapnutí / volby otáček.

POZNÁMKA: Za následujících podmínek se akumulátor blíží konci doby své životnosti (nebo je poškozený/vadný). Odpojte nabíječku od zdroje energie a vyměňte akumulátor.

- Kontrolka energie akumulátoru krátce po začátku nabíjení vysavače zhasne.
- Vysavač funguje jen po dobu kratší, než je polovina běžné provozní doby, i když byl akumulátor plně nabit.

POZNÁMKA: Akumulátor lze dobíjet zhruba až 500krát. Časy nabíjení se mohou měnit v závislosti na podmínkách, při kterých byl akumulátor nabíjen a vybíjen.

Používání pouště

⚠️ UPOZORNĚNÍ: Po každém použití vždy vysavač vypněte, aby nedošlo k jeho poškození; prodloužíte tím také životnost jeho akumulátorů.

Vysavač spustíte jednoduše stisknutím tlačítka zapnutí / volby otáček. Vypnutí provedete stisknutím tlačítka vypnutí. Otáčky vysavače můžete měnit ve třech krocích tlačítkem zapnutí / volby otáček.

Prvním stisknutím tlačítka se spouští režim vysokých otáček, druhým stisknutím režim maximálních otáček a třetím stisknutím režim normálních otáček. Každým stisknutím tlačítka se střídavě opakuje cyklus vysokých, maximálních a normálních otáček.

► **Obr.3:** 1. Tlačítko zapnutí / volby otáček 2. Tlačítko vypnutí

Kontrolka energie akumulátoru

Při nízké zbývající kapacitě akumulátoru kontrolka energie akumulátoru bliká.

Jestliže se zbývající kapacita akumulátoru značně sníží, vysavač se vypne a kontrolka energie akumulátoru se asi na 10 sekund rozsvítí. Jestliže k tomu dojde, nabijte akumulátor.

Jestliže je akumulátor přetížený nebo se přehřeje, vysavač se vypne a kontrolka energie akumulátoru se asi na 10 sekund rozsvítí. Svítí-li kontrolka, vysavač nelze aktivovat.

► **Obr.4:** 1. Kontrolka energie akumulátoru

POZNÁMKA: Doba, kdy začne kontrolka energie akumulátoru blikat nebo svítit, se odvíjí od teploty na pracovišti a stavu akumulátoru.

Rozsvícení světla

⚠️ UPOZORNĚNÍ: Nedívejte přímo do světla nebo jeho zdroje.

Světlo zapnete stisknutím tlačítka zapnutí / volby otáček. Světlo vypnete stisknutím tlačítka vypnutí. Během pokusu o zapnutí vysavače se rozsvítí kontrolka.

► **Obr.5:** 1. Tlačítko zapnutí / volby otáček 2. Tlačítko vypnutí 3. Světlo

SESTAVENÍ

⚠️ UPOZORNĚNÍ: Než začnete na zařízení provádět jakékoli práce, vždy se předtím přesvědčte, že je vypnuté.

Popis součástí

Vysoce účinný filtr a košík s pěnovým filtrem

► **Obr.6:** 1. Pouzdro 2. Vysoce účinný filtr 3. Košík a pěnový filtr

Předfiltr nebo vysoce účinný filtr a HEPA filtr

Volitelné příslušenství

► **Obr.7:** 1. Pouzdro 2. Vstupní filtr 3. Vysoce účinný filtr 4. HEPA filtr

POZOR: Nepoužívejte vysoce účinný filtr spolu s jinými filtry (volitelné příslušenství). Vysoce účinný filtr pak nemusí být možné z vysavače odstranit.

POZNÁMKA: Pokud používáte volitelný předfiltr s HEPA filtrem, neumísťte přes HEPA filtr žádné jiné filtry. Pokud přes HEPA filtr umístíte současně předfiltr a jiné filtry, může dojít ke snížení sachího výkonu.

POZNÁMKA: Pokud používáte vysoce účinný filtr s HEPA filtrem, nezapomeňte do vysoce účinného filtru připravit košík.

► **Obr.8:** 1. Košík 2. Vysoce účinný filtr

Vysypávání prachu

⚠️ UPOZORNĚNÍ: Vyprázdněte vysavač před tím, než bude příliš plný, nebo když se sníží síla sání.

⚠️ UPOZORNĚNÍ: Také vyčistěte od prachu vnitřní prostor vysavače. V opačném případě může dojít k ucpání filtru nebo poškození motoru.

Prach ulpělý na filtru v pouzdro odstraníte poklepáním na pouzdro rukou (4krát či 5krát).

► **Obr.9:** 1. Pouzdro 2. Vstup sání

Nasměrujte sací otvor dolů, otočte pouzdro ve směru šipky podle obrázku a pouzdro pomalu zprůma vytáhněte.

► **Obr.10:** 1. Pouzdro 2. Vstup sání

POZNÁMKA: Při otevření pouzdra se může rozsypat prach – pod pouzdro si položte sáček na smetí.

Z vnitřku pouzdra a vysoce účinného filtru odstraňte nahromaděný prach.

► **Obr.11:** 1. Pouzdro 2. Vysoce účinný filtr

Vysoce účinným filtrem otočte ve směru šipky, uvolněte zajišťovací výstupek z jednotky vysavače a pak filtr vyjměte.

► **Obr.12:** 1. Zajišťovací výstupek

POZNÁMKA: Pokud používáte předfiltr, postupujte také podle pokynů výše.

Odstraňte jemný prach a lehce poklepejte na vysoce účinný filtr, abyste uvolnili všechen prach.

Sestavení

Připojte vysoco účinný filtr. Nyní zajistěte natočení vysoco účinného filtru tak, aby byl zajišťovací výstupek pevně zajištěn v jednotce vysavače.

► **Obr.13:** 1. Vysoco účinný filtr

► **Obr.14:** 1. Zajišťovací výstupek

POZOR: Před použitím vysavače vždy zkontrolujte, zda je vysoco účinný filtr správně nasazen. Při nesprávném nasazení pronikne prach do pláště motoru a způsobí poruchu motoru.

Pokud později dojde k popsanému problému, byl vysoco účinný filtr nasazen nesprávně. Pro vyřešení problému jej nasadte správně.

Připojte pouzdro. Zarovnejte značku na pouzdru se značkou na rukojeti a pak pouzdro otočením pevně otočte ve směru šipky, dokud nebude zajištěno na místě.

► **Obr.15:** 1. Značka 2. Držadlo 3. Pouzdro

POZNÁMKA: Prach vždy odstraňujte včas, neboť příliš mnoho prachu ve vysavači sníží sací výkon.

Příklady problémů

Zajišťovací jazýček vysoco účinného filtru není pevně nasazen v drážce pláště vysavače.

► **Obr.16:** 1. Zajišťovací výstupek 2. Drážka v plášti vysavače

Vyjmutí a vložení košíku / HEPA filtru

Volitelné příslušenství

Pro košík a pěnový filtr

Pro vyjmutí košíku prsty zatlačte spodní část sloupců košíků a uvolněte drážku z výstupku na vysavači. Poté pěnový filtr vyjměte.

► **Obr.17:** 1. Košík 2. Pěnový filtr

Pro vložení zarovnejte drážky na košíku s výstupkem na vysavači a zatlačte jej, dokud se nezacvakne.

Vložte pěnový filtr do prostoru mezi sloupci a vraťte jej do původní polohy.

Pro HEPA filtr

Pro vložení HEPA filtru zarovnejte drážku HEPA filtru s výstupkem na vysavači. Poté nasadte předfiltr nebo vysoco účinný filtr na HEPA filtr a pro zajištění jím otočte. Při vyjímání použijte opačný postup vkládání.

► **Obr.18:** 1. HEPA filtr 2. Vstupní filtr

► **Obr.19:** 1. HEPA filtr 2. Vysoco účinný filtr

PRÁCE S NÁŘADÍM

⚠️ UPOZORNĚNÍ: Při používání vysavače nedávejte svůj obličej do blízkosti ventilačních otvorů. Pokud cizí předměty zasáhnou oči, může dojít k poranění osob.

Montáž a demontáž nástavců k vysávání

⚠️ UPOZORNĚNÍ: Po montáži nástavce zkontrolujte, zda je bezpečně zajištěn. Pokud bude nástavec nasazen nesprávně, může se uvolnit a způsobit úraz.

⚠️ UPOZORNĚNÍ: Buďte opatrní, abyste se při demontáži nástavců neuhodili rukou o stěnu atp.

Používání nástavce s funkcí zámku

Pokud chcete namontovat nástavec, vložte jej do vstupu sání vysavače, dokud nezacvakne. Ujistěte se, že je nástavec pevně zajištěný.

► **Obr.20:** 1. Vstup sání 2. Nástavec s funkcí zámku 3. Háček 4. Uvolňovací tlačítko

POZOR: Při montáži nástavce s funkcí zámku nezapomeňte zarovnat uvolňovací tlačítko na vysavači s háčkem na nástavci. Pokud nejsou zarovnané, nástavec nebude nástavec zajištěný a může se z vysavače uvolnit.

Chcete-li nástavec demontovat, stáhněte jej z vysavače a zároveň stiskněte a držte uvolňovací tlačítko.

► **Obr.21:** 1. Uvolňovací tlačítko 2. Nástavec s funkcí zámku

Používání nástavce bez funkce zámku

⚠️ UPOZORNĚNÍ: Chcete-li namontovat nástavec bez funkce zámku, vložte jej do vstupu sání vysavače otočením, jak je znázorněno na obrázku. Chcete-li nástavec demontovat, uvolněte jej z vysavače otočením, jak je znázorněno na obrázku. Vyvarujte se otáčení nástavce ve směru opačném k šipce na obrázku, protože by mohlo dojít k uvolnění pouzdra z vysavače.

► **Obr.22**

Úprava délek vysouvacího prodlužovacího nástavce

Volitelné příslušenství

Pojistku uvolněte posunutím a přidržením tlačítka vysouvacího dílu dopředu nebo dozadu. Vytáhněte vysouvací trubici na požadovanou délku. Pak zajistěte vysouvací trubici v dané poloze uvolněním tlačítka vysouvacího dílu.

► **Obr.23:** 1. Tlačítko vysouvacího dílu 2. Vysouvací trubice

POZNÁMKA: Bezpečnou instalaci zajistíte lehkým vysunutím nebo zasunutím vysouvací trubice za účelem zajištění pojistky po uvolnění tlačítka vysouvacího dílu.

► **Obr.24**

Vysávání

Hubice

Hubici nasadíte při čištění stolů, nábytku atd. Hubice snadno klouže.

► **Obr.25:** 1. Hubice

Hubice a prodlužovací nástavec

Prodlužovací nástavec se vkládá mezi hubici a vysavač. Tato konfigurace je vhodná k vysávání podlahy vestoje.

► **Obr.26:** 1. Tělo vysavače 2. Prodlužovací nástavec 3. Hubice

Rohová hubice

Při vysávání rohů a obtížně přístupných míst v automobilu nebo na nábytku nasadíte rohovou hubici.

► **Obr.27:** 1. Rohová hubice 2. Tělo vysavače

Rohovou hubici můžete uložit v držáku hubice.

► **Obr.28:** 1. Držák hubice 2. Rohová hubice

⚠ UPOZORNĚNÍ: Dávejte pozor, abyste si mezi rohovou hubicí a držákem hubice nepřiskřípli prsty. Přiskřípnutí prstů může způsobit zranění.

Rohová hubice a prodlužovací nástavec

Tuto konfiguraci použijte při vysávání obtížně přístupných míst, do kterých se nevejde samotný vysavač, nebo při vysávání vysoko položených míst.

► **Obr.29:** 1. Rohová hubice 2. Prodlužovací nástavec 3. Tělo vysavače

Vysávání bez hubice

Prach můžete vysávat i bez hubice.

► **Obr.30**

Pro vysávání prachu na podlaze ve vzpřímené pozici je vhodné použití prodlužovacího nástavce.

► **Obr.31:** 1. Prodlužovací nástavec

ÚDRŽBA

⚠ UPOZORNĚNÍ: Než začnete provádět kontrolu nebo údržbu zařízení, vždy se přesvědčte, že je vypnuté.

K zachování BEZPEČNOSTI a SPOLEHLIVOSTI výrobku musí být opravy a veškerá další údržba či seřizování prováděny autorizovanými nebo továrními servisními středisky společnosti Makita s využitím náhradních dílů Makita.

POZOR: Nikdy nepoužívejte benzín, benzen, ředidlo, alkohol či podobné prostředky. Mohlo by tak dojít ke změnám barvy, deformacím či vzniku prasklin.

Činnosti po ukončení práce

Při skladování nebo nabíjení vysavače uzamkněte hlavu nástavce a zavěste vysavač na háček, který je dostupný na trhu.

► **Obr.32**

⚠ UPOZORNĚNÍ: Vysavač opřený o stěnu bez žádného dalšího zajištění může spadnout, což může mít za následek zranění nebo poškození vysavače.

► **Obr.33**

Čištění

POZOR: Nečistěte prach přilepený k vysavači a filtrům stlačeným vzduchem. Zanese to prach do krytu a způsobí poruchu.

POZOR: Po omytí filtrů je nechte před dalším použitím řádně osušit. Nedostatečně vysušené filtry mohou oslabit sací výkon a zkrátit životnost motoru.

POZOR: Po očištění filtrů a pěnového filtru je nezapomeňte před dalším použitím namontovat zpět. Použijete-li vysavač bez filtrů a pěnového filtru, dostane se do motoru prach a způsobí poruchu.

Tělo vysavače

Vnější část vysavače (tělo vysavače) pravidelně otírejte hadříkem navlhčeným v mýdlové vodě.

Rovněž vyčistěte sací otvor a montážní oblast filtru.

► **Obr.34**

Vysoce účinný filtr

Jestliže je filtr ucpaný prachem a výkon vysavače se sníží, vyperte filtr v mýdlové vodě. Před použitím jej nechte řádně oschnout.

► **Obr.35**

HEPA filtr

Volitelné příslušenství

POZOR: Dejte pozor, abyste HEPA filtr neodřeli nebo nepoškrábali tvrdými předměty, například metáčkem a lopatkou.

Ucpaný HEPA filtr způsobuje slabý výkon sání. Filtr čas od času vyčistěte.

HEPA filtr příležitostně vyperte ve vodě, opláchněte a před použitím jej nechte ve stínu řádně vyschnout. Filtr nikdy neperte v pračce.

► **Obr.36**

Pěnový filtr

Když se pěnový filtr zaneše, očistěte jej následovně.

1. Vyjměte filtr.
 2. Vytáhněte pěnový filtr z prostoru mezi sloupci.
 3. Vyčistěte pěnový filtr mytím nebo vyklepáním. Jestliže ho umyjete, nechte ho před použitím řádně oschnout.
 4. Vložte pěnový filtr do prostoru mezi sloupci a vraťte jej do původní polohy. Ujistěte se, že každý spodní okraj sloupce drží pěnový filtr a že mezi pěnovým filtrem a sacím otvorem není mezera.
- **Obr.37:** 1. Pěnový filtr 2. Spodní okraj sloupce

Čištění nástavce

Když je kartáč nástavce zaprášený, vyčistěte jej pomocí lepicí pásky.

- **Obr.38:** 1. Kartáč

Držák akumulátorového vysavače k montáži na stěnu

Volitelné příslušenství

POZNÁMKA: Šroub k upevnění držáku není součástí dodávky. Připravte si šroub, který bude vhodný k zašroubování do materiálu.

Upevněte držák akumulátorového vysavače na pevnou dřevěnou stěnu, trám nebo sloup, ke kterým lze držák akumulátorového vysavače na stěnu bezpečně upevnit. Před zavěšením vysavače se vždy ujistěte, zda je držák akumulátorového vysavače k montáži na stěnu bezpečně upevněn.

- **Obr.39:** 1. Držák akumulátorového vysavače k montáži na stěnu 2. Zástrčka

▲UPOZORNĚNÍ: Vysavač nezavěšujte do držáku k upevnění na stěnu násilím, ani do držáku nezavěšujte jiné předměty než vysavač.

POZNÁMKA: Jestliže vysavač nenabijíte, lze zástrčku uložit na držák akumulátorového vysavače k montáži na stěnu, jak ukazuje obrázek.

Odstraňování problémů

Než požádáte o opravu, zkontrolujte následující body.

Příznak	Cíl kontroly	Způsob nápravy
Slabý sací výkon	Není pouzdro plné prachu?	Odstraňte z pouzdra prach.
	Není ucpaný filtr?	Vyčistěte nebo vyperte filtr.
	Je akumulátor vybitý?	Nabijte blok akumulátoru.
Zařízení nepracuje	Je akumulátor vybitý?	Nabijte blok akumulátoru.
Hluk a chvění	Není ucpaný filtr?	Vyčistěte nebo vyperte filtr.
	Není ucpaná hubice, trubka nebo vstup sání zařízení?	Odstraňte předměty ucpávající hubici, trubku nebo vstup sání zařízení.
	Není ucpaný vstup hubice/trubky?	Vstup hubice/trubky nezakrývejte.

POZOR: Nepokoušejte se opravovat vysavač sami.

Likvidace vysavače

Vysavač je vybaven vestavěným lithium-iontovým akumulátorem. Před likvidací vysavače jej vyndejte.

Vyjmutí vestavěného akumulátoru

▲UPOZORNĚNÍ: Nedotýkejte se svorek žádným vodivým materiálem.

▲UPOZORNĚNÍ: Neskladujte akumulátor spolu s jinými kovovými předměty, jako jsou hřebíky, mince atd.

▲UPOZORNĚNÍ: Nevystavujte akumulátor vodě ani dešti.

▲UPOZORNĚNÍ: Akumulátor nerozebírejte ani neupravujte.

▲UPOZORNĚNÍ: Při vyjímání akumulátoru musí být vysavač odpojen od napájecí sítě.

▲UPOZORNĚNÍ: Při vyjímání a vkládání akumulátoru držte pevně zařízení a akumulátor. V opačném případě vám mohou vyklouznout z rukou, což může mít za následek poškození zařízení a akumulátoru nebo zranění.

▲UPOZORNĚNÍ: Při vyjímání a vkládání akumulátoru dávejte pozor, aby nedošlo k přiskřípnutí prstů mezi vysavačem, zadním krytem a akumulátorem. Přiskřípnutí prstů může způsobit zranění.

1. Chcete-li sundat zadní kryt, zatlačte na něj ve směru šípky.

► **Obr.40:** 1. Zadní kryt

2. Vestavěný akumulátor zcela vysuňte. Lehkým posunutím akumulátoru dozadu a stisknutím konektoru ve směru šípky dle obrázku odpojte přívodní vodiče od akumulátoru.

► **Obr.41:** 1. Konektor 2. Přívodní vodiče

3. Potom jednotku akumulátoru zcela vysuňte.

► **Obr.42:** 1. Akumulátor

4. Vložte vyjmutý akumulátor do papírové krabice, aby nedošlo k jeho zkratu.

Vložení náhradního akumulátoru

Při vkládání náhradního akumulátoru použijte opačný postup.

▲ UPOZORNĚNÍ: Ved'te přívodní vodiče tak, aby byly plně uloženy ve vysavači, předtím než umístíte zadní kryt zpět do původní poloze. V opačném případě může dojít k poškození přívodu.

► **Obr.43**

Po vložení akumulátoru (viz tabulka „SPECIFIKACE“) nabijte baterii ještě před použitím.

VOLITELNÉ PŘÍSLUŠENSTVÍ

▲ UPOZORNĚNÍ: Pro zařízení Makita popsané v tomto návodu doporučujeme používat následující příslušenství a nástavce. Při použití jiného příslušenství či nástavců může hrozit nebezpečí zranění osob. Příslušenství lze používat pouze pro stanovené účely.

Potřebujete-li bližší informace ohledně tohoto příslušenství, obraťte se na místní servisní středisko společnosti Makita.

- Prodlužovací nástavec
- Hubice
- Hubice na koberec
- Kartáčová hubice
- Rohová hubice
- Hubice s kulatým kartáčem
- Pružná hadice
- Filtr
- Vstupní filtr
- Vysoce účinný filtr
- HEPA filtr
- Hubice na sedačky
- Hubice na spáry
- Držák akumulátorového vysavače k montáži na stěnu
- Cyklonový nástavec
- Originální akumulátor a nabíječka Makita

POZNÁMKA: Některé položky seznamu mohou být k zařízení přibaleny jako standardní příslušenství. Přibalené příslušenství se může v různých zemích lišit.

Cyklonový nástavec

► **Obr.44:** 1. Uvolňovací tlačítko 2. Háček
3. Prodlužovací nástavec 4. Cyklonový nástavec 5. Vstup sání

Informace o cyklonovém nástavci

Používání vysavače s cyklonovým nástavcem snižuje množství prachu, který vstupuje do pouzdra, čímž je zabráněno postupnému snižování sacího výkonu. Rovněž je snazší čištění vysavače po jeho použití.

▲ UPOZORNĚNÍ: Než začnete na zařízení provádět jakékoli práce, vždy se předtím přesvědčte, že je vypnuté.

▲ UPOZORNĚNÍ: Vyčistěte mřížkový filtr cyklonového nástavce a filtry vysavače, kdykoliv se zanesou nečistotami. Budete-li pokračovat v jejich používání, i když jsou zanesené, může se tvořit nadměrné teplo či kouř.

POZOR: Když je namontován cyklonový nástavec, nepoužívejte vysavač ve vodorovné poloze nebo v poloze směrem nahoru. Může to způsobit zanesení mřížkového filtru.

POZOR: Vysavač vždy používejte jen s nasazenými filtry, i když používáte navíc cyklonový nástavec. Používání vysavače bez filtrů může způsobit poruchu motoru.

POZNÁMKA: Před použitím se ujistěte, že jsou cyklonový nástavec, vysavač a prodlužovací nástavec správně zajištěny.

POZNÁMKA: Vyprázdněte přihrádku na prach cyklonového nástavce a pouzdro vysavače, kdykoliv je uvnitř nashromážděno větší množství prachu. Dalším používáním dojde ke snížení sacího výkonu.

POZNÁMKA: Cyklonový nástavec lze použít i bez funkce zámku.

POZNÁMKA: Postup montáže a demontáže cyklonového nástavce naleznete v části „Montáž a demontáž nástavců k vysávání“.

Vysypávání prachu

Když je nashromážděn prach až po čáru naplnění na přihrádce na prach, postupujte dle kroků níže a vysypejte prach.

1. Pevně podržte přihrádku na prach, stiskněte a podržte obě tlačítka a vyjměte ji.

► **Obr.45:** 1. Čára naplnění 2. Přihrádka na prach 3. Tlačítko (na dvou místech) 4. Mřížkový filtr

2. Vysypejte prach, který je uvnitř přihrádky na prach, a poté odstraňte také prach a nečistoty, které se usadily na mřížkovém filtru.

3. Vložte zpět přihrádku na prach, dokud obě tlačítka nezacvaknou.

► **Obr.46:** 1. Přihrádka na prach 2. Tlačítko (na dvou místech)

⚠ UPOZORNĚNÍ: Dávejte pozor, abyste si při opětovné montáži nepřiskřípli prsty mezi přihrádkou na prach a tělem cyklonu.

POZNÁMKA: Jestliže se sací výkon nezlepší ani po vysypání prachu a vyčištění mřížkového filtru, zkontrolujte, zda se uvnitř pouzdra vysavače nenašromáždilo větší množství prachu nebo nedošlo k zanesení.

POZNÁMKA: Při vyklepávání prachu z cyklonového nástavce může dojít k jeho vylétávání. Dávejte pozor, aby se vám prach nedostal do očí.

Čištění

Když se znečistí přihrádka na prach nebo zanesou mřížkový filtr, vyjměte je a opláchněte ve vodě. (Postup vyjmutí je popsán v části „Vysypávání prachu“.)

POZOR: Po omytí přihrádky na prach a filtrů je nechte před dalším použitím řádně osušit. Nedostatečně osušené součásti mohou způsobit úraz elektrickým proudem a/nebo zranění.

► **Obr.47:** 1. Přihrádka na prach 2. Mřížkový filtr

Jestliže je mřížkový filtr opravdu hodně špinavý, očistěte ho dle následujícího postupu.

1. Otočte mřížkový filtr dle obrázku a při odjištěných háčcích ho vyjměte.

► **Obr.48:** 1. Mřížkový filtr 2. Háček

2. Odstraňte prach na mřížkovém filtru a poté ho opláchněte ve vodě. Poté ho řádně osušte.

3. Vložte mřížkový filtr zpět na základnu, přičemž háčky musí být zarovnané s otvorem. Otáčejte mřížkovým filtrem dle obrázku, dokud háčky nezacvaknou. Ujistěte se, že je mřížkový filtr pevně nasazen.

► **Obr.49:** 1. Mřížkový filtr 2. Háček 3. Otvor

ПОПЕРЕДЖЕННЯ

- Дітям віком від 8 років, а також особам з обмеженими фізичними, сенсорними або розумовими здібностями та особам із недостатнім досвідом і знаннями дозволяється використовувати цей прилад лише за умови, що за ними встановлено нагляд або їм було надано інструкції стосовно безпечного використання цього приладу й вони усвідомлюють потенційну небезпеку від його використання.
- Дітям не дозволяється грати із цим приладом. Дітям не дозволяється виконувати чищення або проводити технічне обслуговування приладу без нагляду дорослих.
- Тип акумулятора див. у розділі «ТЕХНІЧНІ ХАРАКТЕРИСТИКИ».
- Інструкції щодо заміни акумулятора див. у розділах «Зняття вбудованого акумулятора» та «Встановлення змінного акумулятора».
- Вбудовані літій-іонні акумулятори мають відповідати вимогам законодавчих актів про поводження з небезпечними товарами. Утилізуйте акумулятор безпечним способом, для чого витягніть його з пристрою. Дотримуйтеся норм місцевого законодавства щодо утилізації акумуляторів.
- За неналежних умов використання та зберігання з акумулятора може витекти рідина, контакту з якою слід уникати. У разі випадкового потраплення рідини на тіло уражену частину необхідно промити водою.
- У разі потраплення електроліту в очі слід промити їх чистою водою та негайно звернутися до лікаря. Це може призвести до втрати зору.
- Тип зарядного пристрою дивиться в розділі «ТЕХНІЧНІ ХАРАКТЕРИСТИКИ». Для заряджання акумулятора слід використовувати лише зарядний пристрій, що входить до комплекту постачання пристрою.
- Значення символів, які стосуються пристрою, дивиться в розділі «Позначки».
- Відомості про заходи безпеки під час обслуговування виробу користувачем див. у розділі «ТЕХНІЧНЕ ОБСЛУГОВУВАННЯ».

ТЕХНІЧНІ ХАРАКТЕРИСТИКИ

Модель:		CL117FD
Ємність		650 мл
Тривале використання (з акумулятором BL1020V)	3 (режим максимальної швидкості)	Близько 10 хв
	2 (режим високої швидкості)	Близько 18 хв
	1 (режим нормальної швидкості)	Близько 55 хв
Загальна довжина	Корпус пілососа	457 мм
	Зі з'єднанням подовжувача та штуцером	992 - 1 232 мм
Маса нетто		1,0 кг
Номінальна напруга		від 10,8 – макс. 12 В пост. струму.

- Оскільки наша програма наукових досліджень і розробок триває безперервно, наведені тут технічні характеристики можуть бути змінені без попередження.
- У різних країнах технічні характеристики можуть бути різними.
- У значення маси не включено масу жодних додаткових приладів.
- Для заряджання акумулятора слід використовувати лише зарядний пристрій, що входить до комплекту постачання пристрою.

Застосовна касета з акумулятором і зарядний пристрій

Касета з акумулятором	Зарядний пристрій для акумуляторів	Час заряджання (год.)
BL1020V	DC1002	2,0

- Час заряджання залежить від температури (10 °C (50 °F) – 40 °C (104°F)), за якої відбувається заряджання касети з акумулятором, і стану касети (наприклад від того, чи є касета з акумулятором новою, і терміну, протягом якого вона не використовувалася).

⚠ ПОПЕРЕДЖЕННЯ: Використовуйте лише касети з акумулятором і зарядні пристрої, перелічені вище. Використання будь-яких інших касет з акумулятором і зарядних пристроїв може призвести до травмування й/або пожежі.

СИМВОЛИ

Далі наведено символи, які можуть застосовуватися для позначення обладнання. Перед користуванням переконайтеся, що ви розумієте їхнє значення.



Читайте посібник з експлуатації.



Знімний блок живлення



Ni-MH
Li-ion

Тільки для країн ЄС
Через наявність в обладнанні небезпечних компонентів відходи електричного та електронного обладнання, акумулятори та батареї можуть негативно впливати на навколишнє середовище та здоров'я людини.
Не викидайте електричні та електронні пристрої або батареї разом з побутовими відходами!
Відповідно до директиви ЄС стосовно відходів електричного та електронного обладнання, акумуляторів і батарей та відходів акумуляторів і батарей, а також відповідно до її адаптації до національного законодавства, відходи електричного обладнання, батарей та акумуляторів слід зберігати окремо й доставляти на пункт роздільного збору комунальних відходів, який працює з дотриманням правил охорони навколишнього середовища.
Це позначено символом у вигляді перекресленого сміттового контейнера з колесами, нанесеним на обладнання.

ПРИЗНАЧЕННЯ

Прилад призначено для збирання сухого пилу.

ПОПЕРЕДЖЕННЯ ПРО ДОТРИМАННЯ ТЕХНІКИ БЕЗПЕКИ

Попередження про необхідну обережність під час роботи з бездротовим пилососом

⚠ ПОПЕРЕДЖЕННЯ: ВАЖЛИВО!
ПРОЧИТАЙТЕ УВАЖНО всі попередження про необхідну обережність під час роботи та всі інструкції ПЕРЕД ВИКОРИСТАННЯМ.
Недотримання попереджень та інструкцій може призвести до ураження електричним струмом, до виникнення пожежі та/або до отримання серйозних травм.

1. Не залишайте інструмент під дощем. Зберігайте у приміщенні.
2. Не допускайте, щоб з цим приладом гралися діти. Потрібно бути пильним, якщо інструмент використовується дітьми або поблизу від них.
3. Використовуйте лише у відповідності з цією інструкцією. Використовуйте лише допоміжне обладнання, яке рекомендоване виробником.
4. Не використовуйте, якщо акумулятор пошкоджений. Якщо прилад не працює належним чином, його впустили, пошкодили, залишили під дощем або зронили у воду, його слід відправити до сервісного центру.
5. Не торкайтеся приладу мокрими руками.
6. Не встромляйте жодних предметів у отвори. Не використовуйте прилад із заблокованими отворами; не допускайте їх блокування пилом, пухом, волоссям або будь-чим, що може послабити потік повітря.
7. Слідуйте, щоб волосся, просторий одяг, а також пальці та інші частини тіла не потрапили до отворів та рухомих частин приладу.
8. Перед зніманням акумулятора вимикайте всі елементи керування.
9. Будьте особливо обережні під час прибирання на сходах.
10. Уникайте потрапляння на прилад займистих або палих рідин, наприклад бензину, та не використовуйте прилад в місцях їх застосування.
11. Для перезаряджання акумулятора використовуйте тільки зарядні пристрої, що постачається виробником.
12. Уникайте контакту приладу з будь-якими речовинами та предметами, що горять або димлять, наприклад цигарками, сірниками або гарячим попелом.
13. Не використовуйте без мішка для пилу і (або) встановлених фільтрів.
14. Перезаряджайте акумулятор тільки в приміщенні.
15. Перезаряджайте акумулятор лише за допомогою зарядного пристрою, вказаного виробником. Зарядний пристрій, який підходить для одного типу акумуляторів, може призвести до пожежі при використанні з акумулятором іншого типу.
16. Використовуйте пристрої лише зі спеціально призначеним типом акумуляторів. Використання акумуляторів інших типів може призвести до травм і пожежі.
17. Коли акумулятор не використовується, тримайте його подалі від таких металевих предметів, що можуть закортити клеми акумулятора, наприклад скріпок, монет, ключів, цвяхів, гвинтів тощо.
18. За неналежних умов зберігання з акумулятора може вилетіти рідина, контакту з якою слід уникати. У разі випадкового потрапляння рідини на тіло уражену частину необхідно промити водою.

19. Не користуйтеся акумуляторним блоком або пристроєм, які було змінено чи пошкоджено. Експлуатація акумуляторів, які було змінено чи пошкоджено, може бути небезпечною й спричинити пожежу, вибух або травму.
20. Не піддавайте акумулятор або пристрій впливу вогню чи надмірної температури. Вплив вогню або температури вище 130 °C може спричинити вибух.
21. Дотримуйтеся всіх вказівок із заряджання й не заряджайте акумулятор або пристрій за температури за межами зазначеного в інструкції діапазону. Неправильне заряджання або заряджання при температурі поза межами вказаного діапазону може призвести до пошкодження акумулятора й підвищити ризик займання.
8. Під час користування інструментом на висоті, слід завжди стежити, щоб внизу нікого не було.
9. Заборонено підносити інструмент близько до кухонних плит або інших джерел тепла.
10. Заборонено блокувати забірний або вентиляційні отвори.

ЗБЕРІГАЙТЕ ЦІ ВКАЗІВКИ.

ВАЖЛИВІ ІНСТРУКЦІЇ З ТЕХНІКИ БЕЗПЕКИ

ДЛЯ ВБУДОВАНОГО АКУМУЛЯТОРА

ЗБЕРІГАЙТЕ ЦІ ВКАЗІВКИ.

ДОДАТКОВІ ПРАВИЛА БЕЗПЕКИ

1. Перед використанням уважно прочитайте цю інструкцію, а також інструкцію до зарядного пристрою.
2. Уникайте таких речовин та предметів, як:
 - гарячі речовини та предмети, наприклад запалені цигарки або іскри й металевий пил, що утворюються під час шліфування або різання металу
 - пальні речовини, наприклад газолін, розчинники, бензин, гас або фарби
 - вибухові речовини, наприклад нітрогліцерин
 - займісті речовини, наприклад алюміній, цинк, магній, титан, фосфор або целулоїд
 - вологий бруд, вода, мастило та подібні речовини
 - тверді предмети з гострими кутами, наприклад тріска, метали, каміння, скло, цвяхи, шпильки або бритви
 - порошок або грудки, наприклад цемент або тонер
 - електропровідний пил, наприклад металевий або вугільний
 - дрібні частки, наприклад бетонний пил.
 У протилежному випадку це може призвести до пожежі, травми та (або) пошкодження майна.
3. Негайно зупиніть інструмент, якщо помітите відхилення в його роботі.
4. Якщо ви впустили або вдарили пілосос, перед подальшим використанням його слід ретельно оглянути на наявність тріщин або пошкоджень.
5. Заборонено заряджати очищувач біля небезпечних займістих матеріалів, таких як бензин, газ, фарба або клей.
6. Заборонено заряджати очищувач на папері, тканині, килимах, вінілі та ін. Це може призвести до загоряння.
7. Заборонено заряджати очищувач в запалених місцях.
1. Перш ніж користуватися вбудованим акумулятором, слід прочитати всі інструкції та попереджувальні відмітки щодо (1) зарядного пристрою, (2) акумулятора та (3) виробів, що працюють від акумулятора.
2. Не слід розбирати вбудований акумулятор.
3. Якщо період роботи набагато скоротився, слід негайно припинити користування. Це може призвести до виникнення ризику перегріву, опіку та навіть вибуху.
4. У разі потраплення електричності в очі слід промити їх чистою водою та негайно звернутися до лікаря. Це може призвести до втрати зору.
5. Не слід закорочувати вбудований акумулятор:
 - (1) Не слід торкатися клем будь-яким струмопровідним матеріалом.
 - (2) Не слід зберігати вбудований акумулятор у ємності з іншими металевими предметами, такими як цвяхи, монети тощо.
 - (3) Не залишайте вбудований акумулятор під дощем, запобігайте контакту з водою. Коротке замикання може призвести до значного протікання струму, перегріву, можливих опіків і навіть виходу з ладу.
6. Не слід зберігати й використовувати пристрій і вбудований акумулятор у місцях, де температура може сягнути чи перевищити 50 °C (122 °F).
7. Забороняється спалювати вбудований акумулятор, навіть якщо він сильно пошкоджений або повністю спрацьований. Вбудований акумулятор може вибухнути у вогні.
8. Не слід кидати або ударяти акумулятор.
9. Не використовуйте пошкоджений вбудований акумулятор.
10. Вбудовані літій-іонні акумулятори мають відповідати вимогам законодавчих актів про поводження з небезпечними товарами. Утилізуйте акумулятор безпечним способом, для чого витягніть його з пристрою. Дотримуйтеся норм місцевого законодавства щодо утилізації акумуляторів.
11. Використовуйте акумулятори лише з виробами, указаними компанією Makita.

ЗБЕРІГАЙТЕ ЦІ ВКАЗІВКИ.

Поради із забезпечення максимального строку експлуатації акумулятора

1. Вбудований акумулятор слід заряджати до того, як він розрядиться повністю. Якщо ви помітили зменшення потужності пристрою, припиніть використовувати пристрій і зарядіть акумулятор.
2. Заряджати повністю заряджений вбудований акумулятор повторно забороняється. Перезарядження скорочує строк експлуатації акумулятора.
3. Заряджайте вбудований акумулятор за кімнатної температури 10—40° C (50—104° F). Перш ніж заряджати вбудований акумулятор, слід зачекати, доки він не охолоне.
4. Якщо пристрій не використовується протягом тривалого часу, заряджайте вбудований акумулятор кожні шість місяців.

ОПИС РОБОТИ

⚠ОБЕРЕЖНО: Переконайтеся, що пристрій вимкнено, перед регулюванням та перевіркою функцій.

Заряджання вбудованого акумулятора

⚠ОБЕРЕЖНО: Використовуйте тільки акумулятори Makita. Використання будь-яких акумуляторів, окрім оригінальних акумуляторів Makita, або акумуляторів, конструкцію яких було змінено, може призвести до вибуху акумулятора та спричинити пожежу, травму або пошкодження. У зв'язку із цим також буде анульовано гарантію Makita на пристрій Makita і на зарядний пристрій.

⚠ОБЕРЕЖНО: Після заряджання слід завжди від'єднувати штекер заряджання від очищувача.

⚠ОБЕРЕЖНО: Не залишайте зарядний пристрій під'єднаним до мережі після від'єднання приладу. Малі діти можуть узяти штепсель, що знаходиться під напругою, до рота, що призведе до травмування.

Заряджайте очищувач, коли використовуєте його вперше або коли він не заряджався впродовж тривалого часу. Приєднайте зарядний штекер до зарядного гнізда, а потім підключіть зарядний пристрій до джерела живлення.

► **Рис.1:** 1. Штекер зарядного пристрою 2. Зарядне гніздо

Лампа акумулятора загоряється, і починається заряджання. Лампа гасне після завершення заряджання. Для отримання детальної інформації звертайтеся до інструкції з експлуатації зарядного пристрою.

► **Рис.2:** 1. Лампа акумулятора

УВАГА: Лампа акумулятора блимає, а акумулятор неможливо зарядити, якщо акумулятор або пілосос піддається впливу екстремальних температур.

ПРИМІТКА: Під час зарядки користуватися пілососом неможливо. Для запуску пілососа від'єднайте зарядний пристрій від джерела живлення, від'єднайте штекер зарядного пристрою від пілососа й натисніть кнопку ввімкнення / зміни швидкості.

ПРИМІТКА: Наявність зазначених далі станів може свідчити про закінчення терміну служби акумулятора (або його пошкодження / несправність). Від'єднайте зарядний пристрій від джерела електроживлення, після чого замініть акумулятор.

- Індикатор заряду акумулятора згасне незабаром після початку зарядки пілососа.
- Час роботи пілососа після повної зарядки акумулятора скоротився більш ніж удвічі відносно нормального робочого часу.

ПРИМІТКА: Приблизна кількість циклів зарядки акумулятора не перевищує 500. Кількість циклів перезаряджання залежить від умов заряджання та розряджання акумулятора.

Дія вимикача

⚠ОБЕРЕЖНО: Завжди вимикайте пілосос після кожного використання, щоб уникнути його пошкодження та для продовження терміну служби акумуляторів.

Для того щоб запустити пілосос, просто натисніть кнопку ввімкнення / зміни швидкості. Щоб вимкнути інструмент, натисніть кнопку вимкнення.

Швидкість пілососа змінюється в три кроки натисканням кнопки ввімкнення / зміни швидкості.

При першому натисканні цієї кнопки вмикається режим високої швидкості, при другому — режим максимальної швидкості, а при третьому — режим нормальної швидкості. Кожне натискання на цю кнопку по черзі перемикає швидкість між високою, максимальною та низькою.

► **Рис.3:** 1. Кнопка ввімкнення / зміни швидкості
2. Кнопка вимкнення

Лампа акумулятора

Коли залишковий заряд акумулятора знижується, починає мигати лампа акумулятора.

Коли залишковий заряд акумулятора стає зовсім низьким, пілосос зупиняється, а лампа акумулятора загоряється приблизно на 10 секунд. У цьому випадку зарядіть акумулятор.

Коли акумулятор перезаряджається або перегрівається, пілосос також зупиняється, а лампа акумулятора загоряється приблизно на 10 секунд. Коли горить лампа, пілосос не працює.

► **Рис.4:** 1. Лампа акумулятора

ПРИМІТКА: Час, коли лампа акумулятора загоряється або починає блимати, залежить від температури на робочому місці та від стану акумулятора.

Увімкнення підсвічування

⚠ ОБЕРЕЖНО: Не дивіться на світло або безпосередньо на джерело світла.

Для того щоб увімкнути підсвічування, натисніть кнопку увімкнення / зміни швидкості. Щоб вимкнути підсвічування, натисніть кнопку вимкнення. Підсвічування вмикається, коли пиросос починає роботу.

- **Рис.5:** 1. Кнопка увімкнення / зміни швидкості
2. Кнопка вимкнення 3. Лампа

ЗБОРКА

⚠ ОБЕРЕЖНО: Перед виконанням будь-яких робіт із пристроєм обов'язково вимкніть його.

Опис деталей

Фільтр підвищеної ефективності, каркас і губчатий фільтр

- **Рис.6:** 1. Контейнер 2. Фільтр підвищеної ефективності 3. Каркас і губчатий фільтр

Фільтр попереднього очищення або Фільтр підвищеної ефективності й фільтр HEPA

Додаткове приладдя

- **Рис.7:** 1. Контейнер 2. Фільтр попереднього очищення 3. Фільтр підвищеної ефективності 4. Фільтр HEPA

УВАГА: Не використовуйте фільтр підвищеної ефективності з іншими фільтрами (додаткове приладдя). Це може призвести до того, що фільтр підвищеної ефективності неможливо буде витягти з пирососа.

ПРИМІТКА: У разі використання додаткового фільтра попереднього очищення з фільтром HEPA уникайте встановлення будь-яких інших фільтрів над фільтром HEPA. Якщо встановити фільтр попереднього очищення та інші фільтри над фільтром HEPA одночасно, потужність усмоктування може знизитися.

ПРИМІТКА: Використовуючи фільтр підвищеної ефективності з фільтром HEPA, обов'язково закріпіть каркас усередині фільтра підвищеної ефективності.

- **Рис.8:** 1. Каркас 2. Фільтр підвищеної ефективності

Видалення пилу

⚠ ОБЕРЕЖНО: Пиросос слід спорожнювати до повного заповнення, інакше силу всмоктування буде послаблено.

⚠ ОБЕРЕЖНО: Внутрішню частину пирососа слід обов'язково звільняти від пилу. Невиконання цієї вимоги може призвести до засмічення фільтра або пошкодження двигуна.

Для видалення пилу, налиплого на фільтри в контейнері, постукайте рукою по контейнеру 4–5 разів.

- **Рис.9:** 1. Контейнер 2. Отвір усмоктування

Поверніть отвір усмоктування вниз, поверніть контейнер у напрямку, показаному стрілкою на рисунку, і повільно від'єднайте контейнер, тягнучи його в напрямку від себе.

- **Рис.10:** 1. Контейнер 2. Отвір усмоктування

ПРИМІТКА: Під час відкриття контейнера пил може висипатися, тому під ним обов'язково встановлюйте мішок для сміття.

Видаліть пил із контейнера й фільтра підвищеної ефективності.

- **Рис.11:** 1. Контейнер 2. Фільтр підвищеної ефективності

Поверніть фільтр підвищеної ефективності в напрямку, показаному стрілкою, щоб відстібнути крипильний фланець від корпусу пирососа, після чого витягніть фільтр підвищеної ефективності.

- **Рис.12:** 1. Крипильний фланець

ПРИМІТКА: За використання фільтра попереднього очищення також дотримуйтеся наведеної вище процедури.

Вичистіть дрібний пил із злегка постукайте по фільтру підвищеної ефективності, щоб вибити пил.

Повторний монтаж

Приєднайте фільтр підвищеної ефективності. Одночасно переконайтеся, що фільтр підвищеної ефективності повернуто таким чином, щоб крипильний фланець було щільно зафіксовано в корпусі пирососа.

- **Рис.13:** 1. Фільтр підвищеної ефективності

- **Рис.14:** 1. Крипильний фланець

УВАГА: Перед використанням пирососа слід завжди перевіряти правильність установалення фільтра підвищеної ефективності. У разі неправильного встановлення пил потраплятиме в корпус двигуна, що призведе до пошкодження двигуна.

Виникнення описаної далі проблеми означає, що фільтр підвищеної ефективності встановлено неправильно. Перевстановіть їх належним чином, щоб усунути проблему.

Прикріпіть контейнер. Сумістіть позначку на контейнері з позначкою на ручці, потім із зусиллям поверніть контейнер у напрямку, показаному стрілкою, до його повної фіксації.

- **Рис.15:** 1. Позначка 2. Рукоятка 3. Контейнер

ПРИМІТКА: Пил слід видаляти заздалегідь, оскільки накопичування в пирососі великої кількості пилу призводить до послаблення сили всмоктування.

Приклади проблем

Кріпильний фланець фільтра підвищеної ефективності недостатньо щільно зафіксовано в пазу на корпусі пирососа.

► **Рис.16:** 1. Кріпильний фланець 2. Паз у корпусі пирососа

Установлення або зняття каркаса / фільтра HEPA

Додаткове приладдя

Дії для каркаса й губчатого фільтра

Для видалення каркаса підніміть нижню частину стійок каркаса пальцями й роз'єднайте паз і виступ на пирососі. Після цього зніміть губчатий фільтр.

► **Рис.17:** 1. Каркас 2. Губчатий фільтр

Для встановлення сумістіть пази на каркасі з виступом на пирососі й притисніть до клацання. Установіть губчатий фільтр в отвір між стійками в початкове положення.

Дії для фільтра HEPA

Під час установлення фільтра HEPA сумістіть паз фільтра HEPA з виступом на пирососі. Потім розмістіть фільтр попереднього очищення або фільтр підвищеної ефективності на фільтрі HEPA й поверніть для фіксації. Щоб виїняти, виконайте процедуру встановлення у зворотному порядку.

► **Рис.18:** 1. Фільтр HEPA 2. Фільтр попереднього очищення

► **Рис.19:** 1. Фільтр HEPA 2. Фільтр підвищеної ефективності

РОБОТА

⚠ОБЕРЕЖНО: Під час роботи з пирососом не тримайте обличчя занадто близько до вентиляційного отвору. Потраплення в очі сторонніх предметів може призвести до травми.

Установлення та зняття насадок пирососа

⚠ОБЕРЕЖНО: Після встановлення насадки переконайтеся в надійності її кріплення. У разі неправильного встановлення насадки вона може зіскочити й нанести травму.

⚠ОБЕРЕЖНО: Під час зняття насадок будьте обережні, щоб не вдаритися рукою о стіну чи інші об'єкти.

Під час використання насадки з фіксацією

Для встановлення насадки вставте її в отвір усмоктування пирососа до клацання. Переконайтеся в тому, що насадку надійно зафіксовано.

► **Рис.20:** 1. Отвір усмоктування 2. Насадка з фіксацією 3. Гачок 4. Кнопка розблокування

УВАГА: Під час установлення насадки з фіксацією сумістіть кнопку розблокування на пирососі з гачком на насадці. Якщо вони не суміщені, насадку не буде зафіксовано, через що вона може зіскочити з пирососа.

Щоб зняти насадку, витягніть її з пирососа, натиснувши й утримуючи кнопку розблокування.

► **Рис.21:** 1. Кнопка розблокування 2. Насадка з фіксацією

Під час використання насадки без фіксації

⚠ОБЕРЕЖНО: Щоб установити насадку без фіксації, вставте її в отвір усмоктування пирососа, повернувши, як показано на рисунку. Щоб зняти насадку, розблокуйте її, повернувши, як показано на рисунку. Не повертайте насадку в напрямку, протилежному стрілці на рисунку, оскільки це може послабити кріплення контейнера в пирососі.

► **Рис.22**

Регулювання довжини розсувного подовжувача

Додаткове приладдя

Посуньте кнопку регулювання довжини вперед або назад і втримуйте, щоб розблокувати замок. Витягніть висувну трубу на бажану довжину. Потім відпустіть кнопку регулювання довжини, щоб зафіксувати висувну трубу.

► **Рис.23:** 1. Кнопка регулювання довжини 2. Висувна труба

ПРИМІТКА: Щоб забезпечити надійне встановлення висувної труби, після відпускання кнопки регулювання довжини посуньте її вперед і назад, щоб зафіксувати замок.

► **Рис.24**

Чищення (всмоктування)

Штуцер

Для чищення столів, парт, меблів тощо встановлюйте штуцер. Він легко надівається.

► **Рис.25:** 1. Штуцер

Штуцер + подовжувач

Подовжувач вставляється між штуцером та пирососом. Така конструкція є зручною для чищення підлоги стоячи.

► **Рис.26:** 1. Корпус пирососа 2. Подовжувач 3. Штуцер

Кутовий шуцер

Для чищення кутів та щілин в салоні автомобіля встановлюйте кутовий шуцер.

► **Рис.27:** 1. Кутовий шуцер 2. Корпус пилососа

Кутовий шуцер можна зберігати в тримачі шуцера.

► **Рис.28:** 1. Тримач шуцера 2. Кутовий шуцер

⚠ ОБЕРЕЖНО: Будьте обережні, щоб не защемити пальці між кутовим шуцером і тримачем шуцера. Защемлення пальців може призвести до травм.

Кутовий шуцер + подовжувач

Цю конструкцію слід використовувати там, де пилосос не може пройти в обмеженому просторі, або у високі місця, до яких важко дотягнутись.

► **Рис.29:** 1. Кутовий шуцер 2. Подовжувач
3. Корпус пилососа

Чищення без шуцера

Збирати пил можна й без шуцера.

► **Рис.30**

Для збирання пилу з підлоги в положенні стоячи до пилососа для зручності можна прикріпити подовжувач.

► **Рис.31:** 1. Подовжувач

ТЕХНІЧНЕ ОБСЛУГОВУВАННЯ

⚠ ОБЕРЕЖНО: Перед виконанням перевірки або обслуговування необхідно переконатись, що пилосос вимкнено.

Для забезпечення БЕЗПЕКИ й НАДІЙНОСТІ продукції її ремонт, а також роботи з обслуговування або регулювання мають виконуватись уповноваженими або заводськими сервісними центрами Makita з використанням запчастин виробництва компанії Makita.

УВАГА: Ніколи не використовуйте газолін, бензин, розріджувач, спирт та подібні речовини. Їх використання може призвести до зміни кольору, деформації або появи тріщин.

Після використання

Під час зберігання або заряджання очищувача головку сопла має бути заблоковано й розташовано на гаку, що доступний у продажу.

► **Рис.32**

⚠ ОБЕРЕЖНО: Якщо пилосос розмістити біля стіни без будь-якої іншої опори, він може впасти, пошкодитися чи спричинити травмування.

► **Рис.33**

Чистка

УВАГА: Не видаляйте пил з пилососа та фільтрів за допомогою повітродувки. При цьому пил потрапляє всередину корпусу і може спричинити несправності.

УВАГА: Після промивання фільтрів висушіть їх перед використанням. Вологий фільтр може стати причиною послаблення всмоктування та скорочення терміну служби двигуна.

УВАГА: Очистивши основний та губчатий фільтри, установіть їх на місце перед використанням. Під час експлуатації пилососа без основного й губчатого фільтрів пил потрапляє до корпусу двигуна і спричиняє несправності.

Корпус пилососа

Слід періодично протирати зовнішню поверхню (корпус) пилососа ганчіркою, зволоженою мильною водою. Не забудьте прочистити отвір усмоктування та ділянку встановлення фільтра.

► **Рис.34**

Фільтр підвищеної ефективності

Коли фільтр засмічується та потужність пилососа зменшується, фільтр слід вимити в мильній воді. Перед використанням його слід ретельно висушити.

► **Рис.35**

Фільтр HEPA

Додаткове приладдя

УВАГА: Не тріть і не дряпайте фільтр HEPA твердими предметами, наприклад щіткою або лопаткою.

Засмічення фільтра HEPA спричиняє зниження всмоктувальної дії. Фільтр слід періодично прочищувати.

Час від часу мийте фільтр HEPA у воді, полощіть і ретельно висушуйте його в затінку перед використанням. Ніколи не періть фільтр у пральній машині.

► **Рис.36**

Губчатий фільтр

Нижче описано процедуру очищення губчатого фільтра.

1. Зніміть основний фільтр.
 2. Витягніть губчатий фільтр із отвору між стійками.
 3. Очистіть губчатий фільтр постукуванням або промиванням. У разі промивання ретельно висушіть фільтр перед використанням.
 4. Установіть губчатий фільтр в отвір між стійками в початкове положення. Переконайтеся, що губчатий фільтр міцно притиснутий до нижнього краю стійок, а між фільтром та отвором усмоктування немає зазору.
- **Рис.37:** 1. Губчатий фільтр 2. Нижній край стійок

Очищення сопла

Очищуйте щітку-насадку від пилу липкою стрічкою, коли насадка забруднюється.

► **Рис.38:** 1. Щітка

Настінне кріплення для бездротового пилососа

Додаткове приладдя

ПРИМІТКА: Гвинт для кріплення тримача до комплекту не входить. Виберіть гвинт відповідно до типу матеріалу.

Прикріпіть настінне кріплення для бездротового пилососа до стіни, балки або колони, зроблених із твердої деревини, де можна надійно закріпити бездротовий пилосос. Перед кріпленням пилососа завжди перевіряйте, щоб настінне кріплення для бездротового пилососа було надійно закріплено.

► **Рис.39:** 1. Настінне кріплення для бездротового пилососа 2. Штекер

⚠ОБЕРЕЖНО: Вішайте пилосос на настінне кріплення обережно й не вішайте жодних інших пристроїв, окрім пилососа.

ПРИМІТКА: Коли пилосос не заряджається, штекер можна зберігати на настінному кріпленні для бездротового пилососа, як показано на рисунку.

Усунення несправностей

Перш ніж здавати прилад до ремонту, слід перевірити наступні моменти.

Ознака	Ділянка, яку слід обстежити	Спосіб прикріплення
Слабка сила всмоктування	Чи заповнений контейнер пилом?	Витрусіть пил з контейнера.
	Чи засмічений фільтр?	Очистьте або промийте фільтр.
	Чи розряджена касета з акумулятором?	Зарядіть акумулятор.
Пристрій не працює	Чи розряджена касета з акумулятором?	Зарядіть акумулятор.
Шум і вібрація	Чи засмічений фільтр?	Очистьте або промийте фільтр.
	Штуцер, труба чи всмоктувальний отвір приладу засмічені?	Приберіть предмети, що призвели до засмічення, зі штуцера, труби чи всмоктувального отвору приладу.
	Впускний отвір штуцера чи труби заблоковані?	Не блокуйте впускний отвір штуцера чи труби.

УВАГА: Не намагайтеся відремонтувати пилосос самотужки.

Утилізація очищувача

У цей очищувач вбудований літій-іонний акумулятор. Перш ніж утилізувати очищувач, його слід зняти.

Зняття вбудованого акумулятора

⚠ОБЕРЕЖНО: Не слід торкатися клеєм будь-яким струмопровідним матеріалом.

⚠ОБЕРЕЖНО: Не слід зберігати блок акумулятора в ємності з іншими металевими предметами, такими як цвяхи, монети й т. д.

⚠ОБЕРЕЖНО: Не піддавайте акумулятор впливу води чи дощу.

⚠ОБЕРЕЖНО: Заборонено розбирати або модифікувати акумулятор.

⚠ОБЕРЕЖНО: Знімайте акумулятор лише тоді, коли очищувач від'єднано від мережі.

⚠ОБЕРЕЖНО: Під час зняття та встановлення блока акумулятора міцно тримайте пристрій і блок акумулятора. Якщо цього не робити, вони можуть вислизнути з рук, що може призвести до пошкодження пристрою й блока акумулятора чи травмування оператора.

⚠ОБЕРЕЖНО: Під час зняття та встановлення блока акумулятора будьте обережні, щоб не защемити пальці між пилососом, задньою кришкою та акумулятором. Защемлення пальців може призвести до травм.

1. Для того щоб зняти задню кришку, слід пересунути її в напрямку, який вказано стрілкою.

► **Рис.40:** 1. Задня кришка

2. Витягніть убудований акумулятор наполовину. Від'єднайте дроти живлення від акумулятора, дещо посуваючи акумулятор назад і натискаючи при цьому на штекер у напрямку стрілки, як показано на рисунку.

► **Рис.41:** 1. Роз'єм 2. Дроти живлення

3. Потім повністю витягніть блок акумулятора.

► **Рис.42:** 1. Блок акумулятора

4. Покладіть знятий акумулятор у картонну коробку, щоб уникнути його короткого замикання.

Встановлення змінного акумулятора

Щоб встановити змінний акумулятор, виконайте процедуру його зняття у зворотному порядку.

⚠ОБЕРЕЖНО: Перш ніж встановлювати задню кришку в початкове положення, розташуйте дріт живлення так, щоб він повністю був усередині пилососа. Недотримання цієї інструкції може призвести до пошкодження дроту живлення.

► **Рис.43**

Після встановлення акумулятора (див. розділ «ТЕХНІЧНІ ХАРАКТЕРИСТИКИ») його слід зарядити, перш ніж переходити до експлуатації приладу.

ДОДАТКОВЕ ПРИЛАДДЯ

⚠ОБЕРЕЖНО: Це допоміжне приладдя й обладнання рекомендовано використовувати з приладом Makita, зазначеним у цьому посібнику. Використання будь-якого іншого допоміжного приладдя й обладнання може призвести до травмування. Використовуйте допоміжне приладдя й обладнання лише за призначенням.

У разі необхідності отримати допомогу в більш детальному ознайомленні з оснащенням звертайтеся до місцевого сервісного центру Makita.

- Подовжувач
- Штуцер
- Штуцер для килима
- Щітка для полиць
- Кутовий штуцер
- Кругла щітка
- Гнучкий шланг
- Фільтр
- Первинний фільтр
- Фільтр підвищеної ефективності
- Фільтр HEPA
- Насадка для очищення сидіння
- Сопло для чищення щілин
- Настінне кріплення для бездротового пилососа
- Циклонний фільтр
- Оригінальний акумулятор та зарядний пристрій Makita

ПРИМІТКА: Деякі елементи списку можуть входити до комплекту пристрою як стандартне приладдя. Вони можуть відрізнятися залежно від країни.

Циклонний фільтр

- **Рис.44:** 1. Кнопка розблокування 2. Гачок
3. Подовжувач 4. Циклонний фільтр
5. Отвір усмоктування

Про циклонний фільтр

Використання пилососа із циклонним фільтром зменшує кількість пилу, що потрапляє в контейнер, що запобігає зниженню сили всмоктування. Крім того, це значно спрощує очищення після використання.

⚠ОБЕРЕЖНО: Перед виконанням будь-яких робіт із пристроєм обов'язково вимкніть його.

⚠ОБЕРЕЖНО: Очищуйте сітчастий фільтр циклонного фільтра й фільтри пилососа, коли вони засмічуються. Подальше використання в засміченому стані може призвести до перегріву або утворення диму.

УВАГА: Не використовуйте пилосос з установленим циклонним фільтром у горизонтальному положенні або в положенні, коли його спрямовано вгору. Це може призвести до засмічення сітчастого фільтра.

УВАГА: Завжди використовуйте пилосос з установленим фільтром навіть за використання циклонного фільтра. Використання пилососа без установлених фільтрів може привести до несправності двигуна.

ПРИМІТКА: Перед використанням переконайтеся в тому, що циклонний фільтр, пилосос і подовжувач зафіксовано належним чином.

ПРИМІТКА: Спорожняйте корпус для збору пилу циклонного фільтра й контейнер пилососа, коли вони заповнилися пилом. Подальше використання може призвести до зниження сили всмоктування.

ПРИМІТКА: Ви також можете використовувати циклонний фільтр без фіксації.

ПРИМІТКА: Порядок установлення або зняття циклонного фільтра див. в розділі «Установлення та зняття насадок пилососа».

Видалення пилу

Після заповнення пилом до рівня лінії заповнення в корпусі для збору пилу виконайте описану далі процедуру й утилізуйте пил.

1. Міцно втримуючи корпус для збору пилу, натисніть і утримуйте дві кнопки, після чого зніміть корпус для збору пилу.

► **Рис.45:** 1. Лінія заповнення 2. Корпус для збору пилу 3. Кнопка (два положення)
4. Сітчастий фільтр

2. Видаліть пил із корпусу для збору пилу й видавіть пил і дрібний пил із поверхні сітчастого фільтра.

3. Вставте корпус для збору пилу таким чином, щоб дві кнопки зафіксувалися з клацанням.

► **Рис.46:** 1. Корпус для збору пилу 2. Кнопка (два положення)

⚠ ОБЕРЕЖНО: Будьте обережні, щоб не защемити пальці між корпусом для збору пилу й корпусом циклонного фільтра під час повторного збирання.

ПРИМІТКА: Якщо сила всмоктування не відновиться навіть після видалення пилу й очищення сітчастого фільтра, переконайтеся в тому, що пил не накопився в контейнері пиლოსоса, або у відсутності засмічення.

ПРИМІТКА: Пил може піднятися в повітря під час видалення з циклонного фільтра. Будьте обережні, щоб пил не потрапив вам в очі.

Чищення

Коли забрудниться корпус для збору пилу чи засмітиться сітчастий фільтр, витягніть і промийте їх водою. (Процедуру видалення див. у розділі «Утилізація пилу».)

УВАГА: Після промивання корпусу для збору пилу й фільтрів ретельно висушіть їх перед використанням. Недостатньо висушені компоненти можуть призвести до враження електричним струмом та/або травмування.

► **Рис.47:** 1. Корпус для збору пилу 2. Сітчастий фільтр

Якщо сітчастий фільтр сильно забруднений, очистьте його, виконавши вказані далі процедури.

1. Поверніть сітчастий фільтр, як показано на рисунку, і вийміть його, поки гачки перебувають у незафіксованому положенні.

► **Рис.48:** 1. Сітчастий фільтр 2. Гачок

2. Видаліть пил із сітчастого фільтра й промийте його водою. Після цього ретельно просушіть його.

3. Вставте сітчастий фільтр в основу таким чином, щоб гачки розташувалися на одній лінії з отвором. Повертайте сітчастий фільтр, як показано на рисунку, до фіксації гачків, що супроводжується клацанням. Переконайтеся в тому, що сітчастий фільтр надійно зафіксовано.

► **Рис.49:** 1. Сітчастий фільтр 2. Гачок 3. Отвір

AVERTIZARE

- Acest aparat poate fi utilizat de copiii cu vârsta de cel puțin 8 ani și de persoanele cu capacități fizice, senzoriale sau mentale reduse, sau lipsite de experiență și cunoștințe doar dacă sunt supravegheate sau au fost instruite cu privire la utilizarea aparatului în siguranță și dacă înțeleg pericolele implicate.
- Copiii nu au voie să folosească acest aparat ca jucărie. Curățarea și întreținerea nu vor fi efectuate de copii nesupravegheați.
- Consultați capitolul „SPECIFICAȚII” pentru referința tipului de acumulator.
- Consultați secțiunile „Scoaterea acumulatorului încorporat” și „Instalarea acumulatorului de schimb” pentru modul de înlocuire a acumulatorului.
- Acumulatorii Li-Ion încorporați fac obiectul cerințelor Legislației privind substanțele periculoase. Atunci când eliminați la deșeurile acumulatorul, scoateți-l din aparat și eliminați-l într-un loc sigur. Respectați normele dumneavoastră locale privind eliminarea la deșeurile a acumulatorului.
- În condiții extreme, lichidul poate fi eliminat din acumulator; evitați contactul cu acesta. Dacă intrați în contact accidental, clătiți bine cu apă zona afectată.
- Dacă electrolitul pătrunde în ochi, clătiți bine ochii cu apă curată și consultați imediat un medic. Există risc de orbire.
- Consultați capitolul „SPECIFICAȚII” pentru referința tipului de încărcător. Pentru reîncărcarea acumulatorului, utilizați doar încărcătorul furnizat cu aparatul.
- Consultați secțiunea „Simboluri” pentru semnificația simbolurilor utilizate pentru aparat.
- Consultați capitolul „ÎNTREȚINERE” pentru detaliile necesare privind precauțiile în timpul lucrărilor de întreținere efectuate de utilizator.

SPECIFICAȚII

Model:	CL117FD		
Capacitate	650 ml		
Utilizare continuă (cu acumulatorul BL1020V)	3 (Mod viteză max.)	Aprox. 10 min	
	2 (Mod viteză ridicată)	Aprox. 18 min	
	1 (Mod viteză normală)	Aprox. 55 min	
Lungime totală	Corp aspirator	457 mm	
	Cu tub de extensie și duză	992 - 1.232 mm	
Greutate netă	1,0 kg		
Tensiune nominală	Max. 10,8 V - 12 V cc.		

- Datorită programului nostru continuu de cercetare și dezvoltare, specificațiile pot fi modificate fără o notificare prealabilă.
- Specificațiile pot varia în funcție de țară.
- Greutatea nu include și accesoriile.
- Pentru reîncărcarea acumulatorului, utilizați doar încărcătorul furnizat cu aparatul.

Cartușul acumulatorului și încărcătorul aplicabile

Cartușul acumulatorului	Încărcătorul acumulatorului	Durată de încărcare (ore)
BL1020V	DC1002	2,0

- Durata de încărcare variază în funcție de temperatură (10 °C (50 °F) – 40 °C (104 °F)) la care este încărcat cartușul acumulatorului și de starea cartușului acumulatorului, cum ar fi un cartuș al acumulatorului care este nou sau care nu a fost utilizat pentru o perioadă lungă de timp.

⚠️ AVERTIZARE: Utilizați numai cartușele de acumulator și încărcătoarele enumerate mai sus. Utilizarea oricărui altor cartușe de acumulator și încărcătoare poate duce la rănire și/sau incendiu.

Simboluri

Mai jos sunt prezentate simbolurile care pot fi utilizate pentru echipament. Asigurați-vă că înțelegeți sensul acestora înainte de utilizare.



Citiți manualul de utilizare.



Unitate de alimentare detașabilă



Doar pentru țările din cadrul UE
Din cauza prezenței componentelor periculoase în echipament, deșeurile de echipamente electrice și electronice, acumulatorii și bateriile pot avea un efect negativ asupra mediului și sănătății umane.

Nu eliminați aparatele electrice și electronice sau bateriile împreună cu gunoii menajeri!

În conformitate cu Directiva europeană privind deșeurile de echipamente electrice și electronice, acumulatorii, bateriile și deșeurile de acumulatori și baterii, precum și cu adaptarea sa în legislația națională, deșeurile de echipamente electrice, de baterii și de acumulatori trebuie depozitate separat și eliminate la un centru de colectare separat pentru deșeurile municipale, care respectă reglementările privind protecția mediului.

Acest lucru este indicat prin simbolul care reprezintă o pubeză cu roți baratăă cu o cruce, aplicat pe echipament.

Destinația de utilizare

Acest aparat este destinat colectării prafului uscat.

AVERTIZĂRI DE SIGURANȚĂ

Avertismente privind siguranța pentru aspiratorul cu acumulator

⚠️ AVERTIZARE: IMPORTANT CITIȚI CU ATENȚIE toate avertizările de siguranță și toate instrucțiunile ÎNAINTE DE UTILIZARE.
Nerespectarea acestor avertismente și instrucțiuni poate avea ca rezultat electrocutarea, incendiul și/ sau rănirea gravă.

1. Nu expuneți la ploaie. Depozitați în spații interioare.
2. Nu permiteți utilizarea acestuia ca jucărie. Acordați atenție utilizării acestuia de către copii sau în apropierea copiilor.
3. Utilizați doar în modul descris în acest manual. Utilizați doar accesoriile recomandate de producător.
4. Nu folosiți cu un acumulator uzat. În cazul în care aparatul nu funcționează corespunzător, a suferit șocuri, este deteriorat, a fost depozitat în exterior sau a fost scăpat în apă, returnați-l la un centru de service.

5. Nu manipulați aparatul cu mâinile umede.
6. Nu introduceți obiecte în orificii. A nu se utiliza cu orificiile blocate; feriți de praf, scame, păr și orice alte materiale care pot obstrucționa fluxul de aer.
7. Nu vă apropiați părul, hainele largi, degetele și celelalte părți ale corpului de deschideri și de piesele mobile.
8. Dezactivați toate comenzile înainte de a scoate acumulatorul.
9. Acordați atenție specială la curățarea pe trepte.
10. Nu utilizați la colectarea unor lichide inflamabile sau combustibile, cum ar fi benzina și nu utilizați în zone în care acestea ar putea fi prezente.
11. Utilizați doar încărcătorul furnizat de producător pentru reincărcare.
12. Nu colectați obiecte care ard sau fumează, cum ar fi țigări, chibrituri sau cenușă fierbinte.
13. Nu utilizați fără sac de praf și/sau filtre montate.
14. Nu încărcăți acumulatorul în exterior.
15. Efectuați reincărcarea numai cu încărcătorul specificat de producător. Un încărcător adecvat pentru un anumit tip de acumulator poate prezenta risc de incendiu dacă este utilizat cu alt tip de acumulator.
16. Folosiți aparatele numai cu grupurile de acumulatori special destinate acestora. Utilizarea altor grupuri de acumulatori poate prezenta risc de rănire și de incendiu.
17. Când nu folosiți acumulatorul, țineți-l la distanță de obiecte metalice precum agrafe de birou, monede, chei, cuie, șuruburi sau alte obiecte metalice mici, ce pot constitui o legătură între cele două borne.
18. În condiții extreme, lichidul poate fi eliminat din acumulator; evitați contactul cu acesta. Dacă intrați în contact accidental, clătiți bine cu apă zona afectată.
19. Nu utilizați un grup de acumulatori sau un aparat care este deteriorat ori modificat. Acumulatorii deteriorați sau modificați pot prezenta un comportament imprevizibil, ce poate cauza incendii, explozii sau pericol de rănire.
20. Nu expuneți un grup de acumulatori sau aparatul la foc sau la temperaturi excesive. Expunerea la foc sau la temperaturi mai mari de 130 °C poate cauza explozii.
21. Urmați toate instrucțiunile de încărcare și nu încărcăți grupul de acumulatori sau aparatul la temperaturi care nu se încadrează în intervalul specificat în instrucțiuni. Încărcarea incorectă sau la temperaturi care nu se încadrează în intervalul specificat poate cauza deteriorarea acumulatorului și creșterea riscului de incendiu.

PĂSTRAȚI ACESTE INSTRUCȚIUNI.

NORME SUPPLEMENTARE DE SECURITATE

- Înainte de utilizare, citiți cu atenție acest manual de instrucțiuni și manualul de instrucțiuni al încărcătorului.
- Nu aspirați următoarele materiale:
 - Materiale fierbinți, precum țigări aprinse sau praf provenit de la scânteii/metal generat de șlefuirea/tăierea metalului
 - Materiale inflamabile precum petrol, diluant, benzină, kerosen sau vopsea
 - Materiale explosive, cum ar fi nitroglicerina
 - Materiale inflamabile, precum aluminiu, zinc, magneziu, titan, fosfor sau celuloid
 - Murdărie umedă, apă, ulei sau alte lichide
 - Obiecte dure cu margini ascuțite, precum așchii de lemn, metale, pietre, sticlă, cuie, ace sau lame
 - Pudră care formează cheag, precum ciment sau toner
 - Praful conductiv, precum praful de metal sau carbon
 - Particule fine, precum praful de betonO astfel de acțiune poate cauza incendii, accidente și/sau daune.
- Înterupeți lucrul imediat dacă observați orice anomalie.
- Dacă scăpați pe jos sau loviți aspiratorul, înainte de utilizare verificați-l cu atenție în privința fisurării sau deteriorării.
- Nu încărcăți aspiratorul în apropierea materialelor inflamabile periculoase cum ar fi benzina, gazul, vopseaua sau adezivii.
- Nu încărcăți aspiratorul pe zăpeză, material textil, covor, vinil etc. Aceasta poate provoca un incendiu.
- Nu încărcăți aspiratorul într-o locație cu mult praf.
- Asigurați-vă că nu se află nicio persoană dedesubt atunci când folosiți aspiratorul la înălțime.
- Nu țineți în apropierea sobelor sau a altor surse de căldură.
- Nu obturați orificiile de admisie sau de ventilație.

PĂSTRAȚI ACESTE INSTRUCȚIUNI.

INSTRUCȚIUNI IMPORTANTE PRIVIND SIGURANȚA

PENTRU ACUMULATOR ÎNCORPORAT

- Înainte de a folosi acumulatorul încorporat, citiți toate instrucțiunile și atenționările de pe (1) încărcătorul acumulatorului, (2) acumulator și (3) produsul care folosește acumulatorul.
- Nu dezmembrați acumulatorul încorporat.

- Dacă timpul de funcționare s-a redus excesiv, întrerupeți imediat funcționarea. Aceasta poate prezenta risc de supraîncălzire, posibile arsuri și chiar explozie.
- Dacă electrolitul pătrunde în ochi, clătiți bine ochii cu apă curată și consultați imediat un medic. Există risc de orbire.
- Nu scurtcircuitați acumulatorul încorporat:
 - (1) Nu atingeți bornele cu niciun material conductor.
 - (2) Evitați depozitarea acumulatorului încorporat într-un container împreună cu alte obiecte metalice cum ar fi cuie, monede etc.
 - (3) Nu expuneți acumulatorul încorporat la apă sau ploaie.
Un scurtcircuit al acumulatorului poate provoca un flux puternic de curent electric, supraîncălzire, posibile arsuri și chiar defectarea mașinii.
- Nu depozitați și nu utilizați aparatul și acumulatorul încorporat în spații în care temperatura poate atinge sau depăși 50 °C (122 °F).
- Nu incinerăți acumulatorul încorporat, chiar dacă acesta este grav deteriorat sau este complet descărcat. Acumulatorul încorporat poate exploda dacă este expus focului.
- Aveți grijă să nu scăpați sau să loviți acumulatorul.
- Nu utilizați un acumulator încorporat care este deteriorat.
- Acumulatorii Li-Ion încorporați fac obiectul cerințelor Legiștilor privind substanțele periculoase. Atunci când eliminați la deșeurile acumulatorul, scoateți-l din aparat și eliminați-l într-un loc sigur. Respectați normele dumneavoastră locale privind eliminarea la deșeurile acumulatorului.
- Utilizați acumulatorii numai cu produsele specifice de Makita.

PĂSTRAȚI ACESTE INSTRUCȚIUNI.

Sfaturi pentru obținerea unei durate maxime de exploatare a acumulatorului

- Încărcați acumulatorul încorporat înainte de a se descărca complet.
Întotdeauna întrerupeți funcționarea aparatului și încărcăți acumulatorul încorporat când observați o scădere a puterii aparatului.
- Nu reîncărcați niciodată un acumulator complet încărcat.
Supraîncărcarea va scurta durata de exploatare a acumulatorului.
- Încărcați acumulatorul încorporat la temperatura camerei, între 10°C - 40°C (50°F - 104°F). Dacă un acumulator este fierbinte, lăsați-l să se răcească înainte de a-l încărca.
- Încărcați acumulatorul încorporat o dată la șase luni dacă nu utilizați aparatul pentru o perioadă lungă de timp.

DESCRIEREA FUNCȚIILOR

⚠ATENȚIE: Asigurați-vă întotdeauna că aparatul este oprit înainte de a regla sau de a verifica funcțiile aparatului.

Încărcarea acumulatorului încorporat

⚠ATENȚIE: Folosiți numai acumulatori Makita originali. Acumulatorii Makita care nu sunt originali sau acumulatorii care au suferit modificări se pot aprinde, provocând incendii, vătămări corporale și daune. De asemenea, acest lucru anulează garanția oferită de Makita pentru produsul și încărcătorul Makita.

⚠ATENȚIE: La sfârșitul încărcării, deconectați întotdeauna fișa încărcătorului de la aspirator.

⚠ATENȚIE: Nu lăsați încărcătorul conectat la rețeaua de alimentare după deconectarea aparatului. Copiii mici pot introduce fișa aflată sub tensiune în gură, ceea ce îi poate răni.

Încărcați aspiratorul atunci când îl utilizați pentru prima dată sau dacă nu a fost încărcat pentru o perioadă îndelungată. Conectați fișa de încărcare în conectorul de încărcare, apoi introduceți încărcătorul în priză de alimentare cu energie electrică.

► **Fig.1:** 1. Fișă de încărcare 2. Conector de încărcare

Lampa de capacitate a acumulatorului se aprinde și începe încărcarea. Lampa se stinge după ce încărcarea este completă. Pentru mai multe detalii, consultați manualul de instrucțiuni al încărcătorului de acumulator.

► **Fig.2:** 1. Lampă de capacitate acumulator

NOTĂ: Lampa de capacitate a acumulatorului luminează intermitent, iar acumulatorul nu poate fi încărcat dacă acumulatorul sau aspiratorul este expus unor temperaturi extreme.

NOTĂ: Aspiratorul nu poate fi controlat în timp ce este încărcat. Pentru a porni aspiratorul, deconectați încărcătorul de la sursa de alimentare, deconectați fișa de încărcare de la aspirator și apoi apăsați butonul ON (Pornire)/schimbare viteză.

NOTĂ: În condițiile următoare, acumulatorul se apropie de sfârșitul duratei sale de viață (sau este deteriorat/funcționează necorespunzător). Deconectați încărcătorul de la sursa de alimentare, apoi înlocuiți acumulatorul.

- Lampa de capacitate a acumulatorului se stinge la scurt timp după ce începeți să încărcați aspiratorul.
- După încărcarea completă a acumulatorului, aspiratorul funcționează doar pentru o perioadă mai scurtă decât jumătatea duratei normale de funcționare.

NOTĂ: Acumulatorul poate fi reîncărcat până la aproximativ 500 de ori. Duratele de reîncărcare variază în funcție de condițiile în care a fost încărcat și descărcat acumulatorul.

Aționarea întrerupătorului

⚠ATENȚIE: Opriti întotdeauna aspiratorul după fiecare utilizare pentru a preveni defectarea aspiratorului și pentru a extinde durata de viață a acumulatorilor.

Pentru a porni aspiratorul, apăsați pur și simplu butonul ON (Pornire)/schimbare viteză. Pentru a opri, apăsați butonul OFF (Oprire).

Puteți modifica viteza aspiratorului în trei pași, apăsând butonul ON (Pornire)/schimbare viteză.

Prima apăsare a acestui buton este pentru modul viteză ridicată, a doua pentru modul viteză max. iar a treia pentru viteză normală. Fiecare apăsare pe acest buton repetă alternativ ciclul de viteză ridicată/max./normală.

► **Fig.3:** 1. Buton ON (Pornire)/schimbare viteză
2. Buton OFF (Oprire)

Lampă de capacitate acumulator

Când capacitatea rămasă a acumulatorului se reduce, lampa de capacitate acumulator luminează intermitent. Când capacitatea rămasă a acumulatorului devine mult mai scăzută, aspiratorul se oprește, iar lampa de capacitate a acumulatorului luminează timp de aproximativ 10 secunde. În acest moment, încărcați acumulatorul. De asemenea, când acumulatorul este suprasolicitat sau supraîncălzit, aspiratorul se oprește, iar lampa de capacitate a acumulatorului luminează timp de aproximativ 10 secunde. Aspiratorul nu funcționează în perioada în care lampa este aprinsă.

► **Fig.4:** 1. Lampă de capacitate acumulator

NOTĂ: Momentul în care lampa de capacitate acumulator începe să lumineze intermitent sau să se aprindă, depinde de temperatura din zona de lucru și de starea acumulatorului.

Aprinderea lămpii

⚠ATENȚIE: Nu priviți direct în raza sau în sursa de lumină.

Pentru a aprinde lampa, apăsați butonul ON (Pornire)/schimbare viteză. Apăsați butonul OFF (Oprire) pentru a stinge lampa. În timp ce aspiratorul funcționează, lampa se aprinde.

► **Fig.5:** 1. Buton ON (Pornire)/schimbare viteză
2. Buton OFF (Oprire) 3. Lampă

ASAMBLARE

⚠ATENȚIE: Asigurați-vă întotdeauna că ați oprit aparatul înainte de a efectua orice intervenție asupra acestuia.

Descrierea componentelor

Filtru de performanță ridicată și suport și filtru spongios

► **Fig.6:** 1. Capsulă 2. Filtru de performanță ridicată
3. Suport și filtru spongios

Prefiltru sau filtru de performanță ridicată și filtru HEPA

Accesorii opționale

► Fig.7: 1. Capsulă 2. Prefiltru 3. Filtru de performanță ridicată 4. Filtru HEPA

NOTĂ: Nu utilizați un filtru de performanță ridicată cu alte filtre (accesoriu opțional). Este posibil să nu mai puteți scoate filtrul de performanță ridicată din aspirator.

NOTĂ: Atunci când utilizați un prefiltru opțional cu un filtru HEPA, evitați poziționarea oricăror alte filtre peste filtrul HEPA. Dacă montați totodată prefiltrul și alte filtre peste filtrul HEPA, este posibil ca puterea de aspirare să se reducă.

NOTĂ: Atunci când utilizați un filtru de performanță ridicată cu un filtru HEPA, asigurați-vă că ați atașat suportul în interiorul filtrului de performanță ridicată.

► Fig.8: 1. Suport 2. Filtru de performanță ridicată

Eliminarea prafului

ATENȚIE: Goliți aspiratorul înainte ca acesta să se umple excesiv, pentru a evita reducerea puterii de aspirare.

ATENȚIE: Asigurați-vă că îndepărtați tot praful din interiorul aspiratorului. Neefectuarea acestei operațiuni poate produce înfundarea filtrului sau deteriorarea motorului.

Pentru a îndepărta depunerile de praf de pe filtrul din capsulă, loviți capsula cu mâna de 4 sau 5 ori.

► Fig.9: 1. Capsulă 2. Orificiu de aspirație

Îndreptați orificiul de aspirație în jos, răsușiți capsula în direcția săgeții din imagine și deconectați capsula lent și drept.

► Fig.10: 1. Capsulă 2. Orificiu de aspirație

NOTĂ: La deschiderea capsulei poate să curgă praf, deci asigurați-vă că ați așezat un sac de gunoi sub capsulă.

Scoateți praful acumulat în interiorul capsulei și de pe filtrul de performanță ridicată.

► Fig.11: 1. Capsulă 2. Filtru de performanță ridicată

Rotiți filtrul de performanță ridicată în direcția săgeții pentru a desface buza de fixare de unitatea aspiratorului și apoi trageți filtrul în afară.

► Fig.12: 1. Buză de fixare

NOTĂ: De asemenea, atunci când utilizați prefiltrul, urmați procedura de mai sus.

Curățați praful fin și loviți ușor pentru a disloca praful din filtrul de performanță ridicată.

Reasamblare

Conectați filtrul de performanță ridicată. În acest moment, asigurați-vă că rotiți filtrul de performanță ridicată, astfel încât buza de fixare să fie blocată ferm în unitatea aspiratorului.

► Fig.13: 1. Filtru de performanță ridicată

► Fig.14: 1. Buză de fixare

NOTĂ: Înainte de a utiliza aspiratorul, asigurați-vă întotdeauna că verificați dacă filtrul de performanță ridicată este montat corect. Dacă nu sunt montate corect, praful va pătrunde în carcasa motorului și va duce la defectarea motorului. Dacă apare problema descrisă mai sus, filtrul de performanță ridicată nu este montat corect. Remontați-l corect pentru a remedia problema.

Montați capsula. Aliniați marcajul de pe capsulă cu marcajul de pe mâner și apoi răsușiți ferm capsula în direcția săgeții până când aceasta se fixează.

► Fig.15: 1. Marcaj 2. Mâner 3. Capsulă

NOTĂ: Întotdeauna scoateți praful din timp, deoarece puterea de aspirație va fi redusă dacă în aspirator există prea mult praf.

Exemple de probleme

Buza de fixare a filtrului de performanță ridicată nu este blocată bine în canalul carcasei aspiratorului.

► Fig.16: 1. Buză de fixare 2. Canelura carcasei aspiratorului

Montarea sau demontarea suportului/filtrului HEPA

Accesorii opționale

Pentru suport și filtrul spongios

Pentru a demonta suportul, ridicați partea inferioară a stâlpilor suportului cu degetele și eliberați canelura acestuia din proeminența de pe aspirator. Apoi, scoateți filtrul spongios.

► Fig.17: 1. Suport 2. Filtru spongios

Pentru montare, aliniați canelurile de pe suport cu proeminența de pe aspirator și apăsați până auziți un clic. Introduceți filtrul spongios între stâlpi și fixați-l în poziția inițială.

Pentru filtrul HEPA

Atunci când montați filtrul HEPA, fixați canelura de pe filtrul HEPA pe proeminența de pe aspirator. Apoi, așezați prefiltrul sau filtrul de performanță ridicată pe filtrul HEPA și rotiți-l pentru a-l fixa ferm. Pentru demontare, executați în ordine inversă procedura de montare.

► Fig.18: 1. Filtru HEPA 2. Prefiltru

► Fig.19: 1. Filtru HEPA 2. Filtru de performanță ridicată

OPERAREA

⚠ATENȚIE: Nu vă apropiați fața de fanta de ventilație în timp ce aspiratorul funcționează. Dacă materialul suflat ajunge în ochi, este posibil ca acest lucru să provoace vătămări corporale.

Montarea și demontarea accesoriilor de aspirare

⚠ATENȚIE: După montarea unui accesoriu, verificați dacă acesta este fixat ferm. În cazul în care accesoriul este montat necorespunzător, acesta se poate desprinde, cauzând vătămări corporale.

⚠ATENȚIE: Fiți atent să nu vă loviți cu mâna de perete etc. atunci când demontați accesoriile.

Când utilizați accesoriul cu funcție de blocare

Pentru a monta un accesoriu, introduceți-l în orificiul de aspirație al aspiratorului până auziți un clic. Asigurați-vă că accesoriul este blocat.

► **Fig.20:** 1. Orificiu de aspirație 2. Accesoriu cu funcție de blocare 3. Cârlig 4. Buton de eliberare

NOTĂ: Atunci când montați accesoriul cu funcție de blocare, asigurați-vă că aliniați butonul de eliberare de pe aspirator cu cârligul de pe accesoriu. Dacă acestea nu sunt aliniate, accesoriul nu se va bloca și se poate desprinde de pe aspirator.

Pentru a scoate accesoriul, trageți-l din aspirator în timp ce apăsați și țineți apăsat butonul de eliberare.

► **Fig.21:** 1. Buton de eliberare 2. Accesoriu cu funcție de blocare

Când utilizați accesoriul fără funcție de blocare

⚠ATENȚIE: Pentru a conecta un accesoriu fără funcție de blocare, introduceți-l în orificiul de aspirație al aspiratorului prin rotire, astfel cum se arată în figură. Pentru a detașa accesoriul, eliberați-l din aspirator prin rotire, astfel cum se arată în figură. Evitați rotirea accesoriului în direcția opusă săgeții din figură, deoarece se poate slăbi capsula din aspirator.

► **Fig.22**

Reglarea lungimii tubului de extensie cu glisare

Accesoriu opțional

Glisați și țineți apăsat butonul de glisare înainte sau înapoi pentru a elibera încuietoearea. Trageți țeava glisantă la lungimile dorite. Apoi eliberați butonul de glisare pentru a bloca țeava glisantă în poziție.

► **Fig.23:** 1. Buton de glisare 2. Țeavă glisantă

NOTĂ: Pentru o instalare sigură, asigurați-vă că extindeți și restrângeți ușor țeava glisantă pentru a cupla blocarea după eliberarea butonului de glisare.

► **Fig.24**

Curățarea (Aspirarea)

Duză

Montați duza pentru a curăța mesele, birourile, mobila etc. Duza alunecă foarte ușor.

► **Fig.25:** 1. Duză

Duză + tub de extensie

Tubul de extensie se montează între duză și aspiratorul propriu-zis. Această configurație este confortabilă pentru curățarea podelei în timp ce stați în picioare.

► **Fig.26:** 1. Corp aspirator 2. Tub de extensie 3. Duză

Duză pentru colțuri

Montați duza pentru colțuri pentru a curăța colțurile și spațiile înguste ale unei mașini sau ale mobilei.

► **Fig.27:** 1. Duză pentru colțuri 2. Corp aspirator

Puteți depozita duza pentru colțuri în suportul pentru duze.

► **Fig.28:** 1. Suport pentru duze 2. Duză pentru colțuri

⚠ATENȚIE: Aveți grijă să nu vă prindeți degetul (degetele) între duza pentru colțuri și suportul pentru duze. Prinderea degetului (degetelor) poate provoca vătămări.

Duză pentru colțuri + tub de extensie

În locurile strâmte unde aspiratorul nu poate fi introdus, sau în locurile înalte la care este greu de ajuns, utilizați această configurație.

► **Fig.29:** 1. Duză pentru colțuri 2. Tub de extensie 3. Corp aspirator

Curățarea fără duză

Puteți aspira pulberea și praful fără duză.

► **Fig.30**

Pentru a aspira praful de pe podea în timp ce stați în picioare, este mai confortabil să montați tubul de extensie pe aspirator.

► **Fig.31:** 1. Tub de extensie

ÎNȚREȚINERE

⚠ATENȚIE: Asigurați-vă întotdeauna că aparatul este oprit înainte de a încerca să efectuați inspecția sau întreținerea acestuia.

Pentru a menține SIGURANȚA și FIABILITATEA produsului, reparațiile și orice alte lucrări de întreținere sau reglare trebuie executate de centre de service Makita autorizate sau proprii, folosind întotdeauna piese de schimb Makita.

NOTĂ: Nu utilizați niciodată gazolină, benzină, diluant, alcool sau alte substanțe asemănătoare. În caz contrar, pot rezulta decolorări, deformări sau fisuri.

După utilizare

Atunci când depozitați sau încărcați aspiratorul, blocați capul duzei și atârnați-l de un cârlig disponibil pe piață.

► Fig.32

ATENȚIE: Sprijinirea aspiratorului de perete, fără niciun alt suport, poate cauza căderea aspiratorului, ceea ce poate conduce la vătămări corporale sau la deteriorarea aspiratorului.

► Fig.33

Curățarea

NOTĂ: Nu suflați depunerile de praf de pe aspirator și de pe filtre cu un dispozitiv de îndepărtare a prafului prin suflare cu aer comprimat. Acest lucru permite pătrunderea prafului în carcasă și cauzează defecțiuni.

NOTĂ: După spălare, uscați filtrele complet înainte de utilizare. Filtrele uscate insuficient pot avea ca efect o putere mică de aspirare și pot scurta durata de viață a motorului.

NOTĂ: După curățare, asigurați-vă că reinstalați filtrele și filtrul spongios înainte de utilizare. Praful pătrunde în carcasa motorului și cauzează defecțiuni dacă utilizați aspiratorul fără filtre și fără filtrul spongios.

Corp aspirator

Din când în când ștergeți suprafața exterioară (corpul aspiratorului) a aspiratorului utilizând o lavetă umezită în apă cu săpun.

Curățați și deschiderea de aspirare și zona de montaj a filtrului.

► Fig.34

Filtru de performanță ridicată

Spălați filtrul în apă cu săpun atunci când acesta este înfundat și când se reduce puterea aspiratorului. Uscați-l complet înainte de utilizare.

► Fig.35

Filtru HEPA

Accesorii opționale

NOTĂ: Nu frecăți și nu zgâriați filtrul HEPA cu obiecte dure, precum o perie sau o racletă.

Un filtru HEPA înfundat reduce capacitatea de aspirație. Curățați filtrul în mod regulat.

Ocazional, spălați filtrul HEPA în apă, clătiți-l și uscați-l complet la umbră înainte de utilizare. Nu spălați niciodată filtrul în mașina de spălat.

► Fig.36

Filtru spongios

Atunci când este murdar, curățați filtrul spongios respectând procedura următoare.

1. Scoateți filtrul.
2. Trageți filtrul spongios dintre stâlpi.
3. Curățați filtrul spongios, lovindu-l ușor cu palma sau spălându-l. Dacă îl spălați, uscați-l complet înainte de utilizare.
4. Introduceți filtrul spongios între stâlpi și fixați-l în poziția inițială. Asigurați-vă că fiecare margine inferioară a stâlpului apasă filtrul spongios și că nu există niciun spațiu liber între filtrul spongios și deschiderea de aspirare.

► Fig.37: 1. Filtru spongios 2. Margine inferioară a stâlpului

Curățarea duzei

Atunci când pe peria duzei s-a depus mult praf, curățați praful cu bandă adezivă.

► Fig.38: 1. Perie

Suport de perete pentru aspirator cu acumulator

Accesorii opționale

NOTĂ: Șurubul pentru fixarea suportului nu este inclus. Pregătiți un șurub care să corespundă materialului de înșurubat.

Fixați suportul de perete pentru aspiratorul cu acumulator de un perete, o grindă sau o coloană solidă din lemn, unde suportul de perete pentru aspiratorul cu acumulator poate fi bine fixat. Asigurați-vă întotdeauna că suportul de perete pentru aspiratorul cu acumulator este bine fixat înainte de a agăța aspiratorul.

► Fig.39: 1. Suport de perete pentru aspirator cu acumulator 2. Fișă

ATENȚIE: Nu agățați aspiratorul de suportul de perete într-un mod violent și nu agățați de el alte aparate electrocasnice.

NOTĂ: Atunci când nu încărcați aspiratorul, priza poate fi depozitată pe suportul de perete pentru aspiratorul cu acumulator, după cum se observă în ilustrații.

Depanare

Înainte de a solicita reparații, verificați următoarele puncte.

Simptom	Zona care trebuie investigată	Metoda de fixare
Putere slabă de aspirație	Capsula este plină de praf?	Eliminați tot praful din capsulă.
	Este filtrul înfundat?	Curățați sau spălați filtrul.
	Cartușul acumulatorului este descărcat?	Încărcați cartușul acumulatorului.
Nu funcționează	Cartușul acumulatorului este descărcat?	Încărcați cartușul acumulatorului.
Zgomot și vibrație	Filtrul este înfundat?	Curățați sau spălați filtrul.
	Duza, țeava sau orificiul de aspirație a/al aparatului este înfundat(ă)?	Eliminați obiectele înfundate din duza, țeava sau orificiul de aspirație a/al aparatului.
	Orificiul duzei/țevii este blocat?	Nu blocați orificiul duzei/țevii.

NOTĂ: Nu încercați să reparați singur aspiratorul.

Casarea aspiratorului

În acest aspirator este încorporat un acumulator Li-ion. Scoateți întotdeauna acumulatorul înainte de a casa aspiratorul.

Scoaterea acumulatorului încorporat

ATENȚIE: Nu atingeți bornele cu niciun material conductor.

ATENȚIE: Evitați depozitarea acumulatorului încorporat într-un container împreună cu alte obiecte metalice cum ar fi cuie, monede etc.

ATENȚIE: Nu expuneți acumulatorul încorporat la apă sau ploaie.

ATENȚIE: Nu dezasaamblați și nici nu modificați acumulatorul încorporat.

ATENȚIE: Aspiratorul de trebuie să fie deconectat de la rețeaua de alimentare atunci când scoateți acumulatorul.

ATENȚIE: Țineți ferm aparatul și unitatea acumulatorului atunci când demontați și montați unitatea acumulatorului. În caz contrar, acestea vă pot aluneca din mâini, ceea ce poate conduce la defectarea mașinii și a unității acumulatorului, precum și la vătămări corporale.

ATENȚIE: Aveți grijă să nu vă prindeți degetul (degetele) între aspirator, capacul posterior și acumulator atunci când demontați și montați unitatea acumulatorului. Prinderea degetului (degetelor) poate provoca vătămări.

1. Pentru a scoate capacul din spate, apăsați-l în direcția săgeții.

► Fig.40: 1. Capac posterior

2. Glisați pe jumătate acumulatorul încorporat. Deconectați cablurile de alimentare de la acumulator deplasând ușor acumulatorul în spate, în timp ce apăsați conectorul în direcția săgeții, conform figurii.

► Fig.41: 1. Conector 2. Cabluri electrice

3. Apoi, glisați complet în afară unitatea acumulatorului.

► Fig.42: 1. Acumulator încorporat

4. Puneți acumulatorul scos într-o cutie de carton astfel încât să nu se scurtcircuiteze.

Instalarea acumulatorului de schimb

Pentru a monta acumulatorul de schimb, executați în ordine inversă operațiile de demontare.

ATENȚIE: Direcționați cablul astfel încât să fie depozitat complet în interiorul aspiratorului înainte de a pune înapoi capacul din spate. În caz contrar, cablul poate fi deteriorat.

► Fig.43

După instalarea acumulatorului (consultați „SPECIFICAȚII”), încărcați-l înainte de utilizare.

ACCESORII OPȚIONALE

ATENȚIE: Folosiți accesoriile sau piesele auxiliare recomandate pentru aparatul dumneavoastră Makita în acest manual. Utilizarea altor accesorii sau piese auxiliare poate prezenta risc de accidentări. Utilizați accesoriile sau piesele auxiliare numai în scopul destinat.

Dacă aveți nevoie de asistență sau de mai multe detalii referitoare la aceste accesorii, adresați-vă centrului local de service Makita.

- Tub de extensie
- Duză
- Duză pentru covoaie
- Perie pentru rafturi
- Duză pentru colțuri
- Perie rotundă
- Furtun flexibil
- Filtru
- Prefiltru
- Filtru de performanță ridicată
- Filtru HEPA
- Duză scaun
- Duză pentru curățarea spațiilor greu accesibile
- Suport de perete pentru aspirator cu acumulator
- Ciclon pentru colectarea prafului
- Acumulator și încărcător original Makita

NOTĂ: Unele articole din listă pot fi incluse ca accesorii standard în ambalajul aparatului. Acestea pot diferi în funcție de țară.

Ciclon pentru colectarea prafului

- **Fig.44:** 1. Buton de eliberare 2. Cârlig 3. Tub de extensie 4. Ciclon pentru colectarea prafului 5. Orificiu de aspirație

Despre ciclonul pentru colectarea prafului

Utilizarea aspiratorului cu ciclonul pentru colectarea prafului montat reduce cantitatea de praf care ajunge în capsulă, ceea ce ajută la prevenirea diminuării forței de aspirare. În plus, și curățarea după utilizare este simplă.

ATENȚIE: Asigurați-vă întotdeauna că ați oprit aparatul înainte de a efectua orice intervenție asupra acestuia.

ATENȚIE: Curățați filtrul cu găuri al ciclonului pentru colectarea prafului și filtrele unității aspiratorului atunci când se înfundă. Continuarea utilizării acestora atunci când sunt înfundate poate duce la încălzire sau la apariția emisiilor de fum.

NOTĂ: Când ciclonul pentru colectarea prafului este atașat, nu utilizați aspiratorul în poziție orizontală sau orientat în sus. În caz contrar, filtrul cu găuri se poate înfunda.

NOTĂ: Utilizați întotdeauna aspiratorul cu filtrele montate, chiar și atunci când utilizați ciclonul pentru colectarea prafului. Utilizarea aspiratorului fără filtrele montate poate provoca funcționarea necorespunzătoare a motorului.

NOTĂ: Înainte de utilizare, asigurați-vă că aspiratorul, ciclonul pentru colectarea prafului și tubul de extensie sunt blocate în mod corespunzător.

NOTĂ: Goliți cutia pentru praf a ciclonului pentru colectarea prafului și capsula aspiratorului atunci când s-a acumulat praf. Continuarea utilizării va provoca diminuarea forței de aspirare.

NOTĂ: Ciclonul pentru colectarea prafului poate fi utilizat și fără funcția de blocare.

NOTĂ: Pentru montarea sau demontarea ciclonului pentru colectarea prafului, consultați secțiunea „Montarea și demontarea accesoriilor de aspirare”.

Eliminarea prafului

Când s-a acumulat praf până la linia de pe cutia de praf care indică nivelul maxim, urmați procedura de mai jos și eliminați praful.

1. Țineți bine cutia pentru praf, apăsați și țineți apăsată cele două butoane și apoi scoateți cutia pentru praf.

► **Fig.45:** 1. Linia care indică nivelul maxim 2. Cutie pentru praf 3. Buton (două locuri) 4. Filtru cu găuri

2. Eliminați praful din cutia pentru praf și îndepărtați praful și particulele care s-au prins pe suprafața filtrului cu găuri.

3. Introduceți cutia pentru praf până la capăt, până când cele două butoane se blochează cu un clic.

► **Fig.46:** 1. Cutie pentru praf 2. Buton (două locuri)

ATENȚIE: Aveți grijă să nu vă prindeți degetul (degetele) între cutia pentru praf și corpul ciclonului la reasamblare.

NOTĂ: Dacă forța de aspirare nu revine la normal nici după eliminarea prafului și curățarea filtrului cu găuri, verificați dacă s-a acumulat praf în capsula aspiratorului sau dacă aspiratorul este înfundat.

NOTĂ: Praful poate fi proiectat la golirea ciclonului pentru colectarea prafului. Aveți grijă ca praful să nu vă intre în ochi.

Curățarea

Când cutia de praf se murdărește sau filtrul cu găuri se înfundă, scoateți-le și spălați-le cu apă. (Pentru procedura de îndepărtare, consultați secțiunea „Eliminarea prafului”.)

NOTĂ: După spălarea cutiei pentru praf și a filtrelor, uscați-le complet înainte de utilizare. Componentele uscate insuficient pot duce la electrocutare și/sau la accidentare.

► **Fig.47:** 1. Cutie pentru praf 2. Filtru cu găuri

Când filtrul cu găuri devine extrem de murdar, spălați-l urmând procedurile de mai jos.

1. Rotiți filtrul cu găuri astfel cum se arată în figură și scoateți-l când cârligele sunt deblocate.

► **Fig.48:** 1. Filtru cu găuri 2. Cârlig

2. Îndepărtați praful de pe filtrul cu găuri și spălați-l cu apă. Apoi, uscați-l bine.

3. Introduceți filtrul cu găuri în suport atunci când cârligele sunt alinate cu orificiul. Rotiți filtrul cu găuri astfel cum se arată în figură până când cârligele sunt blocate cu un clic. Asigurați-vă că filtrul cu găuri este bine fixat în poziție.

► **Fig.49:** 1. Filtru cu găuri 2. Cârlig 3. Orificiu

WARNUNG

- Dieses Gerät kann von Kindern ab 8 Jahren und Personen mit verminderten körperlichen, sensorischen oder geistigen Fähigkeiten oder Mangel an Erfahrung und Kenntnissen benutzt werden, sofern sie eine Beaufsichtigung oder Anweisung bezüglich des sicheren Gebrauchs des Gerätes erhalten haben und die damit verbundenen Gefahren verstehen.
- Kinder dürfen nicht mit dem Gerät spielen. Reinigung und Benutzerwartung dürfen nicht von Kindern ohne Beaufsichtigung durchgeführt werden.
- Angaben zur Typenbezeichnung des Akkus finden Sie im Kapitel „TECHNISCHE DATEN“.
- Angaben zum Austauschverfahren des Akkus finden Sie in den Abschnitten „Ausbauen des eingebauten Akkus“ und „Installieren des Ersatz-Akkus“.
- Die enthaltenen Lithium-Ionen-Akkus unterliegen den Anforderungen der Gefahrengut-Gesetzgebung. Wenn Sie den Akku entsorgen, nehmen Sie ihn aus dem Gerät, und entsorgen Sie ihn an einem sicheren Ort. Befolgen Sie die örtlichen Vorschriften bezüglich der Entsorgung von Akkus.
- Bei Missbrauch kann Flüssigkeit aus dem Akku austreten. Vermeiden Sie Kontakt mit dieser Flüssigkeit. Falls Sie versehentlich mit der Flüssigkeit in Berührung kommen, spülen Sie die betroffenen Stellen mit Wasser ab.
- Falls Elektrolyt in Ihre Augen gelangt, waschen Sie sie mit sauberem Wasser aus, und begeben Sie sich unverzüglich in ärztliche Behandlung. Anderenfalls können Sie erblinden.
- Angaben zur Typenbezeichnung des Ladegerätes finden Sie im Kapitel „TECHNISCHE DATEN“. Verwenden Sie zum Wiederaufladen des Akkus nur das mit dem Gerät gelieferte Ladegerät.
- Die Bedeutung der für das Gerät verwendeten Symbole finden Sie im Abschnitt „Symbole“.
- Entsprechende Details der Vorsichtsmaßnahmen während der Benutzerwartung finden Sie im Kapitel „WARTUNG“.

TECHNISCHE DATEN

Modell:		CL117FD
Kapazität		650 ml
Dauerbetrieb (mit Akku BL1020V)	3 (Maximaldrehzahlmodus)	Ca. 10 min
	2 (Hochdrehzahlmodus)	Ca. 18 min
	1 (Normaldrehzahlmodus)	Ca. 55 min
Gesamtlänge	Staubsauger-Hauptteil	457 mm
	Mit Verlängerungsrohr und Düse	992 - 1.232 mm
Nettogewicht		1,0 kg
Nennspannung		10,8 V - 12 V Gleichstrom

- Wir behalten uns vor, Änderungen der technischen Daten im Zuge der Entwicklung und des technischen Fortschritts ohne vorherige Ankündigung vorzunehmen.
- Die technischen Daten können von Land zu Land unterschiedlich sein.
- Das Gewicht schließt keine Zubehörteile ein.
- Verwenden Sie zum Wiederaufladen des Akkus nur das mit dem Gerät gelieferte Ladegerät.

Zutreffende Akkus und Ladegeräte

Akku	Ladegerät	Ladezeit (Stunden)
BL1020V	DC1002	2,0

- Die Ladezeit ist je nach der Temperatur (10°C (50°F) - 40°C (104°F)), bei welcher der Akku geladen wird, und dem Zustand des Akkus (z. B. neuer oder längere Zeit unbenutzter Akku) unterschiedlich.

⚠️ WARNUNG: Verwenden Sie nur die oben aufgeführten Akkus und Ladegeräte. Bei Verwendung irgendwelcher anderer Akkus und Ladegeräte besteht Verletzungs- und/oder Brandgefahr.

Symbole

Nachfolgend werden Symbole beschrieben, die für das Gerät verwendet werden können. Machen Sie sich unbedingt vor der Benutzung mit ihrer Bedeutung vertraut.



Betriebsanleitung lesen.



Abnehmbare Versorgungseinheit



Ni-MH
Li-Ion

Nur für EU-Länder
Aufgrund des Vorhandenseins gefährlicher Komponenten in der Ausrüstung können Elektro- und Elektronik-Altgeräte, Akkumulatoren und Batterien sich negativ auf die Umwelt und die menschliche Gesundheit auswirken.
Entsorgen Sie Elektro- und Elektronikgeräte oder Batterien nicht mit dem Hausmüll!
In Übereinstimmung mit der Europäischen Richtlinie über Elektro- und Elektronik-Altgeräte, Akkumulatoren und Batterien, verbrauchte Akkumulatoren und Batterien sowie ihrer Anpassung an nationales Recht sollten Elektro-Altgeräte, Batterien und Akkumulatoren gemäß den Umweltschutzbestimmungen getrennt gelagert und zu einer getrennten Sammelstelle für Siedlungsabfälle geliefert werden.
Dies wird durch das am Gerät angebrachte Symbol der durchgestrichenen Abfalltonne auf Rädern angezeigt.

Vorgesehene Verwendung

Das Gerät ist für das Absaugen von Trockenstaub vorgesehen.

SICHERHEITSWARNUNGEN

Sicherheitswarnungen für Akku-Staubsauger

⚠️ WARNUNG: WICHTIG! Alle Sicherheitswarnungen und Anweisungen VOR GEBRAUCH AUFMERKSAM LESEN. Eine Missachtung der Warnungen und Anweisungen kann zu einem elektrischen Schlag, Brand und/oder schweren Verletzungen führen.

- Das Gerät keinem Regen aussetzen. In Innenräumen aufbewahren.
- Das Gerät darf nicht als Spielzeug benutzt werden. Wenn das Gerät von Kindern oder in deren Nähe benutzt wird, ist besondere Vorsicht geboten.
- Nur gemäß der Beschreibung in dieser Anleitung benutzen. Nur vom Hersteller empfohlene Zusatzvorrichtungen verwenden.
- Nicht mit beschädigtem Akku benutzen. Falls das Gerät nicht ordnungsgemäß funktioniert, fallen gelassen, beschädigt, im Freien liegen gelassen wurde oder ins Wasser gefallen ist, bringen Sie es zu einem Kundenzentrum.
- Fassen Sie das Gerät nicht mit nassen Händen an.
- Stecken Sie keine Gegenstände in die Öffnungen. Benutzen Sie das Gerät nicht mit einer blockierten Öffnung; halten Sie es frei von Staub, Fusseln, Haaren und Fremdkörpern, die den Luftstrom behindern können.
- Halten Sie Haare, lose Kleidung, Finger und alle Körperteile von den Öffnungen und beweglichen Teilen fern.
- Schalten Sie sämtliche Bedienelemente aus, bevor Sie den Akku abnehmen.
- Lassen Sie bei der Reinigung von Treppen besondere Vorsicht walten.
- Verwenden Sie das Gerät nicht zum Aufsaugen von brennbaren oder feuergefährlichen Flüssigkeiten, wie z. B. Benzin, und benutzen Sie es auch nicht in der Nähe solcher Flüssigkeiten.
- Verwenden Sie nur das vom Hersteller gelieferte Ladegerät zum Aufladen.
- Saugen Sie keine brennenden oder rauchenden Gegenstände auf, wie z. B. Zigaretten, Streichhölzer oder heiße Asche.
- Benutzen Sie das Gerät nicht ohne angebrachten Staubsack und/oder Filter.
- Laden Sie den Akku nicht im Freien.
- Laden Sie den Akku nur mit dem vom Hersteller vorgeschriebenen Ladegerät. Ein Ladegerät, das für einen Akkutyp geeignet ist, kann bei Verwendung mit einem anderen Akku eine Brandgefahr darstellen.
- Benutzen Sie Geräte nur mit den ausdrücklich vorgeschriebenen Akkus. Bei Verwendung irgendwelcher anderer Akkus besteht Verletzungs- und Brandgefahr.
- Bewahren Sie den Akku bei Nichtgebrauch nicht zusammen mit Metallgegenständen, wie Büroklammern, Münzen, Schlüsseln, Nägeln, Schrauben, und anderen kleinen Metallteilen auf, welche die Kontakte kurzschließen können.
- Bei Missbrauch kann Flüssigkeit aus dem Akku austreten. Vermeiden Sie Kontakt mit dieser Flüssigkeit. Falls Sie versehentlich mit der Flüssigkeit in Berührung kommen, spülen Sie die betroffenen Stellen mit Wasser ab.
- Verwenden Sie keine Akkus oder Geräte, die beschädigt oder modifiziert sind. Beschädigte oder modifizierte Akkus können unvorhersehbares Verhalten zeigen, das zu einem Brand, einer Explosion oder Verletzungsgefahr führen kann.
- Setzen Sie einen Akku oder ein Gerät nicht Feuer oder übermäßigen Temperaturen aus. Bei Einwirkung von Feuer oder Temperaturen über 130 °C kann es zu einer Explosion kommen.
- Befolgen Sie alle Ladeanweisungen, und laden Sie den Akku bzw. das Gerät nicht außerhalb des in den Anweisungen angegebenen Temperaturbereichs. Wird der Ladevorgang unsachgemäß oder bei Temperaturen außerhalb des angegebenen Bereichs durchgeführt, kann es zu einer Beschädigung des Akkus und erhöhter Brandgefahr kommen.

BEWAHREN SIE DIESE ANLEITUNG AUF.

ZUSÄTZLICHE SICHERHEITSGESETZE

1. Lesen Sie diese Gebrauchsanleitung und die Gebrauchsanleitung des Ladegerätes vor der Benutzung aufmerksam durch.
2. Unterlassen Sie das Aufsaugen der folgenden Materialien:
 - Heiße Materialien, wie z. B. brennende Zigaretten oder durch Schleifen/Schneiden von Metall erzeugte Funken/Metallstaub
 - Brennbare Materialien, wie z. B. Benzin, Verdünner, Petroleum oder Lack
 - Explosive Materialien, wie Nitroglycerin
 - Zündfähige Materialien, wie z. B. Aluminium, Zink, Magnesium, Titan, Phosphor oder Celluloid
 - Nassen Schmutz, Wasser, Öl oder dergleichen
 - Harte Gegenstände mit scharfen Kanten, wie z. B. Holzspäne, Metalle, Steine, Glas, Nägel, Nadeln oder Rasierklingen
 - Klumpen bildendes Pulver, wie z. B. Zement oder Toner
 - Leitfähiger Staub, wie z. B. Metall- oder Kohlenstaub
 - Feine Partikel, wie z. B. BetonstaubSolche Handlungen können einen Brand, Verletzungen und/oder Sachschäden verursachen.
3. Brechen Sie den Betrieb sofort ab, wenn Sie irgendetwas Ungewöhnliches bemerken.
4. Falls Sie den Staubsauger fallen lassen oder anstoßen, überprüfen Sie ihn vor der Benutzung sorgfältig auf Risse oder Beschädigung.
5. Betreiben Sie den Sauger nicht in der Nähe von gefährlichen und entzündlichen Stoffen, wie Benzin, Gas, Farbe oder Klebstoffen.
6. Betreiben Sie den Sauger nicht auf Papier, Textilien, Teppichen, Vinyl usw. Dies kann einen Brand verursachen.
7. Betreiben Sie den Sauger nicht an einem staubigen Ort.
8. Achten Sie darauf, dass sich niemand unter Ihnen befindet, wenn Sie den Sauger an erhöhten Orten verwenden.
9. Bringen Sie das Gerät nicht in die Nähe von Öfen oder anderen Wärmequellen.
10. Blockieren Sie nicht die Einlassöffnung oder die Belüftungsöffnungen.
3. Falls die Betriebszeit beträchtlich kürzer geworden ist, stellen Sie den Betrieb sofort ein. Anderenfalls besteht die Gefahr von Überhitzung, möglichen Verbrennungen und sogar einer Explosion.
4. Falls Elektrolyt in Ihre Augen gelangt, waschen Sie sie mit sauberem Wasser aus, und begeben Sie sich unverzüglich in ärztliche Behandlung. Anderenfalls können Sie erblinden.
5. Der eingebaute Akku darf nicht kurzgeschlossen werden.
 - (1) Die Kontakte dürfen nicht mit leitfähigem Material berührt werden.
 - (2) Lagern Sie den eingebauten Akku nicht in einem Behälter zusammen mit anderen Metallgegenständen, wie z. B. Nägeln, Münzen usw.
 - (3) Setzen Sie den eingebauten Akku weder Wasser noch Regen aus. Ein Kurzschluss des Akkus kann einen starken Stromfluss, Überhitzung, mögliche Verbrennungen und sogar eine Betriebsstörung verursachen.
6. Lagern und benutzen Sie das Gerät und den eingebauten Akku nicht an Orten, an denen die Temperatur 50 °C erreichen oder überschreiten kann.
7. Versuchen Sie niemals, den eingebauten Akku zu verbrennen, selbst wenn er stark beschädigt oder vollkommen verbraucht ist. Der eingebaute Akku kann im Feuer explodieren.
8. Achten Sie darauf, dass der Akku nicht fallen gelassen oder Stößen ausgesetzt wird.
9. Benutzen Sie keinen beschädigten Einbau-Akku.
10. Die enthaltenen Lithium-Ionen-Akkus unterliegen den Anforderungen der Gefahrgut-Gesetzgebung. Wenn Sie den Akku entsorgen, nehmen Sie ihn aus dem Gerät, und entsorgen Sie ihn an einem sicheren Ort. Befolgen Sie die örtlichen Vorschriften bezüglich der Entsorgung von Akkus.
11. Verwenden Sie die Akkus nur mit den von Makita angegebenen Produkten.

BEWAHREN SIE DIESE ANLEITUNG AUF.

WICHTIGE SICHERHEITSVORSCHRIFTEN

FÜR EINGEBAUTEN AKKU

1. Lesen Sie vor der Benutzung des eingebauten Akkus alle Anweisungen und Warnhinweise, die an (1) Ladegerät, (2) Akku und (3) Produkt angebracht sind.
2. Der eingebaute Akku darf nicht zerlegt werden.

3. Falls die Betriebszeit beträchtlich kürzer geworden ist, stellen Sie den Betrieb sofort ein. Anderenfalls besteht die Gefahr von Überhitzung, möglichen Verbrennungen und sogar einer Explosion.
4. Falls Elektrolyt in Ihre Augen gelangt, waschen Sie sie mit sauberem Wasser aus, und begeben Sie sich unverzüglich in ärztliche Behandlung. Anderenfalls können Sie erblinden.
5. Der eingebaute Akku darf nicht kurzgeschlossen werden.
 - (1) Die Kontakte dürfen nicht mit leitfähigem Material berührt werden.
 - (2) Lagern Sie den eingebauten Akku nicht in einem Behälter zusammen mit anderen Metallgegenständen, wie z. B. Nägeln, Münzen usw.
 - (3) Setzen Sie den eingebauten Akku weder Wasser noch Regen aus. Ein Kurzschluss des Akkus kann einen starken Stromfluss, Überhitzung, mögliche Verbrennungen und sogar eine Betriebsstörung verursachen.
6. Lagern und benutzen Sie das Gerät und den eingebauten Akku nicht an Orten, an denen die Temperatur 50 °C erreichen oder überschreiten kann.
7. Versuchen Sie niemals, den eingebauten Akku zu verbrennen, selbst wenn er stark beschädigt oder vollkommen verbraucht ist. Der eingebaute Akku kann im Feuer explodieren.
8. Achten Sie darauf, dass der Akku nicht fallen gelassen oder Stößen ausgesetzt wird.
9. Benutzen Sie keinen beschädigten Einbau-Akku.
10. Die enthaltenen Lithium-Ionen-Akkus unterliegen den Anforderungen der Gefahrgut-Gesetzgebung. Wenn Sie den Akku entsorgen, nehmen Sie ihn aus dem Gerät, und entsorgen Sie ihn an einem sicheren Ort. Befolgen Sie die örtlichen Vorschriften bezüglich der Entsorgung von Akkus.
11. Verwenden Sie die Akkus nur mit den von Makita angegebenen Produkten.

BEWAHREN SIE DIESE ANLEITUNG AUF.

Hinweise zur Aufrechterhaltung der maximalen Akku-Nutzungsdauer

1. Laden Sie den eingebauten Akku auf, bevor er vollständig entladen ist. Halten Sie den Betrieb des Gerätes immer an, und laden Sie den eingebauten Akku, wenn Sie bemerken, dass die Leistung des Gerätes nachlässt.
2. Unterlassen Sie das erneute Laden des voll aufgeladenen eingebauten Akkus. Überladen führt zu einer Verkürzung der Nutzungsdauer des Akkus.
3. Laden Sie den eingebauten Akku bei einer Raumtemperatur von 10°C - 40°C. Lassen Sie den eingebauten Akku vor dem Laden abkühlen, falls er heiß ist.
4. Laden Sie den eingebauten Akku alle sechs Monate auf, falls Sie das Gerät über einen längeren Zeitraum nicht verwenden.

FUNKTIONSBESCHREIBUNG

⚠ VORSICHT: Vergewissern Sie sich stets, dass das Gerät ausgeschaltet ist, bevor Sie eine Funktion am Gerät einstellen oder überprüfen.

Laden des eingebauten Akkus

⚠ VORSICHT: Verwenden Sie nur Original-Makita-Akkus. Die Verwendung von Nicht-Original-Makita-Akkus oder von Akkus, die abgeändert worden sind, kann zum Bersten des Akkus und daraus resultierenden Bränden, Personenschäden und Beschädigung führen. Außerdem wird dadurch die Makita-Garantie für das Makita-Produkt und -Ladegerät ungültig.

⚠ VORSICHT: Ziehen Sie nach dem Laden stets den Ladestecker vom Staubsauger ab.

⚠ VORSICHT: Lassen Sie das Ladegerät nicht am Stromnetz angeschlossen, nachdem Sie das Gerät abgetrennt haben. Es könnte zu Verletzungen kommen, falls kleine Kinder den Strom führenden Stecker in den Mund stecken.

Laden Sie den Staubsauger vor der ersten Benutzung oder nach längerer Nichtbenutzung. Stecken Sie den Ladestecker in die Ladebuchse, und schließen Sie dann das Ladegerät an die Netzsteckdose an.

► **Abb.1:** 1. Ladestecker 2. Ladebuchse

Die Akku-Warnleuchte leuchtet auf, und der Ladevorgang beginnt. Die Leuchte erlischt nach Abschluss des Ladevorgangs. Weitere Einzelheiten entnehmen Sie bitte der Gebrauchsanleitung des Ladegerätes.

► **Abb.2:** 1. Akku-Warnleuchte

ANMERKUNG: Die Akku-Warnleuchte blinkt, und der Akku kann nicht geladen werden, wenn der Akku oder der Staubsauger extremen Temperaturen ausgesetzt ist.

HINWEIS: Der Staubsauger kann während des Ladevorgangs nicht gesteuert werden. Um den Staubsauger zu starten, trennen Sie das Ladegerät von der Stromquelle, ziehen Sie den Ladestecker vom Staubsauger ab, und drücken Sie dann die Einschalttaste (ON)/Drehzahl-Umschalttaste.

HINWEIS: Unter den folgenden Bedingungen steht der Akku kurz vor dem Ende seiner Nutzungsdauer (oder er ist beschädigt/gestört). Trennen Sie das Ladegerät von der Stromversorgung, und tauschen Sie dann den Akku aus.

- Die Akku-Warnleuchte erlischt kurz nach Ladebeginn des Staubsaugers.
- Der Staubsauger funktioniert nur für einen Zeitraum, der kürzer als die Hälfte der normalen Betriebszeit ist, nachdem der Akku voll aufgeladen worden ist.

HINWEIS: Der Akku kann bis zu etwa 500-mal aufgeladen werden. Die Anzahl der möglichen Ladevorgänge hängt von den Bedingungen ab, unter denen der Akku aufgeladen und entladen worden ist.

Schalterfunktion

⚠ VORSICHT: Schalten Sie den Staubsauger nach jeder Benutzung stets aus, um Beschädigung des Staubsaugers zu verhüten und die Nutzungsdauer der Akkus zu verlängern.

Drücken Sie zum Einschalten des Staubsaugers einfach die Einschalttaste (ON)/Drehzahl-Umschalttaste. Drücken Sie zum Ausschalten die Ausschalttaste (OFF).

Durch Drücken der Einschalttaste (ON)/Drehzahl-Umschalttaste können Sie die Drehzahl des Staubsaugers in drei Stufen ändern.

Beim ersten Drücken dieser Taste erhalten Sie den Hochdrehzahlmodus, beim zweiten Drücken den Maximaldrehzahlmodus, und beim dritten Drücken den Normaldrehzahlmodus. Mit jedem Drücken dieser Taste wird der Zyklus hohe/maximale/normale Drehzahl abwechselnd wiederholt.

► **Abb.3:** 1. Einschalttaste (ON)/Drehzahl-Umschalttaste 2. Ausschalttaste (OFF)

Akku-Warnleuchte

Wenn die Akku-Restkapazität niedrig wird, blinkt die Akku-Warnleuchte.

Wenn die Akku-Restkapazität erheblich niedrig wird, bleibt der Staubsauger stehen, und die Akku-Warnleuchte leuchtet etwa 10 Sekunden lang auf. Laden Sie in diesem Fall den Akku auf.

Der Staubsauger bleibt auch stehen, wenn der Akku überlastet oder überhitzt wird, und die Akku-Warnleuchte leuchtet etwa 10 Sekunden lang auf. Bei eingeschalteter Leuchte lässt sich der Staubsauger nicht betätigen.

► **Abb.4:** 1. Akku-Warnleuchte

HINWEIS: Der Zeitpunkt, zu dem die Akku-Warnleuchte zu blinken oder aufzuleuchten beginnt, hängt von der Temperatur am Arbeitsplatz und dem Zustand des Akkus ab.

Einschalten der Lampe

⚠ VORSICHT: Blicken Sie nicht direkt in die Lampe oder die Lichtquelle.

Um die Lampe einzuschalten, drücken Sie die Einschalttaste (ON)/Drehzahl-Umschalttaste. Drücken Sie die Ausschalttaste (OFF), um die Lampe auszuschalten. Während des Betriebs des Staubsaugers leuchtet die Lampe.

► **Abb.5:** 1. Einschalttaste (ON)/Drehzahl-Umschalttaste 2. Ausschalttaste (OFF) 3. Lampe

MONTAGE

⚠ VORSICHT: Vergewissern Sie sich stets, dass das Gerät ausgeschaltet ist, bevor Sie Arbeiten am Gerät ausführen.

Beschreibung der Teile

Hochleistungsfilter, Strebe und Schwammfilter

► **Abb.6:** 1. Kapsel 2. Hochleistungsfilter 3. Strebe und Schwammfilter

Vorfilter oder Hochleistungsfilter und HEPA-Filter

Sonderzubehör

► **Abb.7:** 1. Kapsel 2. Vorfilter 3. Hochleistungsfilter 4. HEPA-Filter

ANMERKUNG: Verwenden Sie einen Hochleistungsfilter nicht mit anderen Filtern (Sonderzubehör). Der Hochleistungsfilter lässt sich sonst möglicherweise nicht mehr vom Staubsauger entfernen.

HINWEIS: Wenn Sie einen optionalen Vorfilter mit einem HEPA-Filter benutzen, sollten Sie keine anderen Filter über dem HEPA-Filter platzieren. Falls Sie den Vorfilter und andere Filter gleichzeitig über den HEPA-Filter setzen, kann sich die Saugleistung verringern.

HINWEIS: Wenn Sie einen Hochleistungsfilter mit einem HEPA-Filter benutzen, achten Sie darauf, die Strebe im Inneren des Hochleistungsfilters zu befestigen.

► **Abb.8:** 1. Strebe 2. Hochleistungsfilter

Staubentleerung

⚠ VORSICHT: Leeren Sie den Staubsauger, bevor er voll wird oder die Saugleistung nachlässt.

⚠ VORSICHT: Entleeren Sie auch unbedingt den Staub im Staubsauger selbst. Anderenfalls kann sich der Filter zusetzen, oder der Motor kann beschädigt werden.

Um den am Filter in der Kapsel haftenden Staub abzuschütteln, klopfen Sie 4- bis 5-mal mit Ihrer Hand auf die Kapsel.

► **Abb.9:** 1. Kapsel 2. Saugeinlass

Richten Sie den Saugeinlass nach unten, drehen Sie die Kapsel in Richtung des Pfeils in der Abbildung, und ziehen Sie die Kapsel langsam und gerade ab.

► **Abb.10:** 1. Kapsel 2. Saugeinlass

HINWEIS: Halten Sie einen Müllsack unter die Kapsel, da beim Öffnen der Kapsel Staub herausfallen kann.

Entfernen Sie angesammelten Staub aus dem Innenraum der Kapsel und des Hochleistungsfilters.

► **Abb.11:** 1. Kapsel 2. Hochleistungsfilter

Drehen Sie den Hochleistungsfilter in Pfeilrichtung, um die Sicherungslippe von der Staubsaugereinheit zu lösen, und ziehen Sie dann den Filter ab.

► **Abb.12:** 1. Sicherungslippe

HINWEIS: Wenn Sie den Vorfilter verwenden, befolgen Sie auch das obige Verfahren.

Entleeren Sie den Feinstaub, und klopfen Sie den Hochleistungsfilter leicht aus, um Staub abzuschütteln.

Zusammenbau

Schließen Sie den Hochleistungsfilter an. Drehen Sie dabei den Hochleistungsfilter so, dass die Sicherungslippe fest in der Staubsaugereinheit verankert ist.

► **Abb.13:** 1. Hochleistungsfilter

► **Abb.14:** 1. Sicherungslippe

ANMERKUNG: Vergewissern Sie sich vor der Benutzung des Staubsaugers stets, dass der Hochleistungsfilter korrekt eingesetzt ist. Falls sie nicht korrekt eingesetzt sind, dringt Staub in das Motorgehäuse ein und verursacht eine Motorstörung. Falls das Problem wie später beschrieben auftritt, ist der Hochleistungsfilter nicht korrekt eingesetzt. Setzen Sie sie korrekt ein, um das Problem zu beheben.

Bringen Sie die Kapsel an. Richten Sie die Markierung an der Kapsel auf die Markierung am Handgriff aus, und drehen Sie dann die Kapsel fest in Pfeilrichtung, bis sie gesichert ist.

► **Abb.15:** 1. Markierung 2. Handgriff 3. Kapsel

HINWEIS: Entfernen Sie den Staub stets rechtzeitig, da die Saugleistung verringert wird, wenn sich zu viel Staub im Staubsauger befindet.

Problemeispiele

Die Sicherungslippe des Hochleistungsfilters ist nicht fest in der Nut des Staubsaugergehäuses verankert.

► **Abb.16:** 1. Sicherungslippe 2. Nut des Staubsaugergehäuses

Anbringen oder Abnehmen von Strebe/HEPA-Filter

Sonderzubehör

Für Strebe und Schwammfilter

Um die Strebe zu entfernen, drücken Sie den unteren Teil der Säulen der Strebe mit Ihren Fingern hoch, und lösen Sie ihre Nut von dem Vorsprung am Staubsauger. Entfernen Sie anschließend den Schwammfilter.

► **Abb.17:** 1. Strebe 2. Schwammfilter

Zum Anbringen richten Sie die Nuten an der Strebe auf den Vorsprung am Staubsauger aus, und drücken Sie die Strebe hinein, bis sie einrastet.

Führen Sie den Schwammfilter zwischen den Säulen ein, und setzen Sie ihn in seine Ausgangsposition ein.

Für den HEPA-Filter

Wenn Sie den HEPA-Filter einsetzen, richten Sie die Nut des HEPA-Filters auf den Vorsprung des Staubsaugers aus. Setzen Sie dann den Vorfilter oder den Hochleistungsfilter auf den HEPA-Filter, und drehen Sie ihn, um ihn zu sichern. Zum Abnehmen ist das Anbringungsverfahren umgekehrt anzuwenden.

► **Abb.18:** 1. HEPA-Filter 2. Vorfilter

► **Abb.19:** 1. HEPA-Filter 2. Hochleistungsfilter

BETRIEB

⚠ VORSICHT: Bringen Sie Ihr Gesicht beim Betrieb des Staubsaugers nicht in die Nähe der Ventilationsöffnung. Falls Fremdkörper in die Augen von Personen oder Tieren geblasen werden, kann dies zu Verletzungen führen.

Montieren und Demontieren von Saugergeräteaufsätzen

⚠ VORSICHT: Prüfen Sie nach der Anbringung eines Aufsatzes, ob er sicher angebracht ist. Falls der Aufsatz unvollständig angebracht ist, kann er sich lösen und Personenschäden verursachen.

⚠ VORSICHT: Achten Sie beim Abnehmen von Aufsätzen darauf, dass Sie mit Ihrer Hand nicht gegen eine Wand usw. schlagen.

Bei Verwendung des Aufsatzes mit Verriegelungsfunktion

Um einen Aufsatz anzubringen, führen Sie ihn in den Saugeinlass des Staubsaugers ein, bis er einrastet. Vergewissern Sie sich, dass der Aufsatz verriegelt ist.

► **Abb.20:** 1. Saugeinlass 2. Aufsatz mit Verriegelungsfunktion 3. Raste 4. Entriegelungsknopf

ANMERKUNG: Achten Sie beim Anbringen des Aufsatzes mit Verriegelungsfunktion darauf, dass der Entriegelungsknopf am Staubsauger auf die Raste am Aufsatz ausgerichtet ist. Falls sie nicht ausgerichtet sind, wird der Aufsatz nicht verriegelt und kann sich vom Staubsauger lösen.

Um den Aufsatz zu entfernen, ziehen Sie ihn vom Staubsauger ab, während Sie den Entriegelungsknopf gedrückt halten.

► **Abb.21:** 1. Entriegelungsknopf 2. Aufsatz mit Verriegelungsfunktion

Bei Verwendung des Aufsatzes ohne Verriegelungsfunktion

⚠ VORSICHT: Um einen Aufsatz ohne Verriegelungsfunktion zu installieren, setzen Sie ihn in den Saugeinlass des Staubsaugers ein, indem Sie ihn wie in der Abbildung gezeigt drehen. Um den Aufsatz abzunehmen, lösen Sie ihn vom Staubsauger, indem Sie ihn wie in der Abbildung gezeigt drehen. Vermeiden Sie es, den Aufsatz in die dem Pfeil in der Abbildung entgegengesetzte Richtung zu drehen, da sich dadurch die Kapsel vom Staubsauger lösen kann.

► **Abb.22**

Einstellen der Länge des Klemmknopf-Verlängerungsrohrs

Sonderzubehör

Schieben Sie den Klemmknopf entweder nach vorn oder nach hinten, und halten Sie ihn gedrückt, um die Sperre zu lösen. Ziehen Sie das Schieberohr auf die gewünschte Länge aus. Lassen Sie dann den Klemmknopf los, um das Schieberohr in der Position zu fixieren.

► **Abb.23:** 1. Klemmknopf 2. Schieberohr

HINWEIS: Für eine sichere Installation sollten Sie das Schieberohr nach dem Loslassen des Klemmknopfes leicht hin und her schieben, um die Sperre einzurasten.

► **Abb.24**

Reinigen (Saugen)

Düse

Bringen Sie die Düse an, um Tische, Pulte, Möbelstücke usw. abzusaugen. Die Düse lässt sich leicht aufstecken.

► **Abb.25:** 1. Düse

Düse + Verlängerungsrohr

Das Verlängerungsrohr wird zwischen Düse und Staubsauger angebracht. Diese Anordnung ist praktisch, um den Fußboden im Stehen zu saugen.

► **Abb.26:** 1. Staubsauger-Hauptteil
2. Verlängerungsrohr 3. Düse

Spitzdüse

Bringen Sie die Spitzdüse an, um Ecken und Ritzen eines Autos oder Möbelstücks zu reinigen.

► **Abb.27:** 1. Spitzdüse 2. Staubsauger-Hauptteil

Sie können die Spitzdüse im Düsenhalter aufbewahren.

► **Abb.28:** 1. Düsenhalter 2. Spitzdüse

⚠ VORSICHT: Achten Sie darauf, dass keine Finger zwischen der Spitzdüse und dem Düsenhalter eingeklemmt werden. Einklemmen von Fingern kann Verletzungen verursachen.

Spitzdüse + Verlängerungsrohr

Benutzen Sie diese Anordnung in engen Zwischenräumen, in die der Staubsauger selbst nicht hineinpasst, oder an schwer erreichbaren hohen Orten.

- **Abb.29:** 1. Spitzdüse 2. Verlängerungsrohr
3. Staubsauger-Hauptteil

Staubsaugen ohne Düse

Sie können Pulver und Staub ohne Düse aufsaugen.

- **Abb.30**

Um Staub im Stehen von einem Fußboden aufzusaugen, ist es praktisch, das Verlängerungsrohr am Staubsauger anzubringen.

- **Abb.31:** 1. Verlängerungsrohr

WARTUNG

⚠ VORSICHT: Denken Sie vor der Durchführung von Überprüfungen oder Wartungsarbeiten stets daran, das Gerät auszuschalten.

Um die SICHERHEIT und ZUVERLÄSSIGKEIT dieses Produkts zu gewährleisten, sollten Reparaturen und andere Wartungs- oder Einstellarbeiten nur von Makita-Vertragswerkstätten oder Makita-Kundendienstzentren unter ausschließlicher Verwendung von Makita-Originalersatzteilen ausgeführt werden.

ANMERKUNG: Verwenden Sie auf keinen Fall Benzin, Waschbenzin, Verdünnern, Alkohol oder dergleichen. Solche Mittel können Verfärbung, Verformung oder Rissbildung verursachen.

Nach dem Gebrauch

Wenn Sie den Staubsauger aufbewahren oder laden, verriegeln Sie den Düsenkopf, und hängen Sie ihn an einen auf dem Markt erhältlichen Haken.

- **Abb.32**

⚠ VORSICHT: Wird der Staubsauger ohne irgendeine Stütze gegen eine Wand gelehnt, kann er umkippen, was zu Personenschäden oder einer Beschädigung des Staubsaugers führen kann.

- **Abb.33**

Reinigen

ANMERKUNG: Blasen Sie am Staubsauger und an den Filtern haftenden Staub nicht mit einem Druckluftspray ab. Dadurch wird der Staub in das Gehäuse geblasen und ein Ausfall verursacht.

ANMERKUNG: Nachdem Sie die Filter gewaschen haben, lassen Sie sie vor Gebrauch gründlich trocknen. Unzureichend getrocknete Filter können schlechte Saugleistung verursachen und die Lebensdauer des Motors verkürzen.

ANMERKUNG: Nachdem Sie die Filter und den Schwammfilter gereinigt haben, setzen Sie sie vor Gebrauch unbedingt wieder ein. Wird der Staubsauger ohne Filter und Schwammfilter benutzt, kann Staub in das Motorgehäuse eindringen und eine Funktionsstörung verursachen.

Staubsauger-Hauptteil

Wischen Sie die Außenseite (Staubsauger-Hauptteil) des Staubsaugers von Zeit zu Zeit mit einem mit Seifenwasser getränkten Tuch ab.

Putzen Sie auch die Saugöffnung und den Filtermontagebereich aus.

- **Abb.34**

Hochleistungsfilter

Waschen Sie den Filter in Seifenwasser aus, wenn er mit Staub zugesetzt ist und die Saugleistung nachlässt. Lassen Sie ihn vor der Benutzung gründlich trocknen.

- **Abb.35**

HEPA-Filter

Sonderzubehör

ANMERKUNG: Unterlassen Sie Abreiben oder Abkratzen des HEPA-Filters mit harten Gegenständen, wie z. B. einer Bürste und einer Kratze.

Ein verstopfter HEPA-Filter verursacht schlechte Saugleistung. Säubern Sie den Filter von Zeit zu Zeit.

Waschen Sie den HEPA-Filter gelegentlich in Wasser aus, spülen Sie ihn ab, und lassen Sie ihn vor Gebrauch im Schatten trocknen. Waschen Sie den Filter niemals in einer Waschmaschine.

- **Abb.36**

Schwammfilter

Wenn der Schwammfilter verschmutzt wird, reinigen Sie ihn wie folgt.

1. Entfernen Sie den Filter.
2. Ziehen Sie den Schwammfilter zwischen den Säulen heraus.
3. Reinigen Sie den Schwammfilter durch Ausklopfen oder Waschen. Wenn Sie ihn waschen, lassen Sie ihn vor Gebrauch gründlich trocknen.
4. Führen Sie den Schwammfilter zwischen den Säulen ein, und setzen Sie ihn in seine Ausgangsposition ein. Vergewissern Sie sich, dass die Unterkanten der Säulen den Schwammfilter niederhalten, und dass kein Spalt zwischen dem Schwammfilter und der Saugöffnung vorhanden ist.

- **Abb.37:** 1. Schwammfilter 2. Unterkante der Säule

Reinigen der Düse

Wenn die Düsenbürste staubig wird, entfernen Sie den Staub mit Klebeband.

- **Abb.38:** 1. Bürste

Wandhalterung für Akku-Staubsauger

Sonderzubehör

HINWEIS: Die Schraube für die Montage des Halters ist nicht im Lieferumfang enthalten. Besorgen Sie eine für das Einschraubmaterial passende Schraube.

Befestigen Sie die Wandhalterung für Akku-Staubsauger an einer festen Wand, einem Träger oder einer Säule aus Holz, an der die Wandhalterung für Akku-Staubsauger einwandfrei gesichert werden kann. Vergewissern Sie sich vor dem Aufhängen des Staubsaugers immer, dass die Wandhalterung für Akku-Staubsauger sicher befestigt ist.

► **Abb.39:** 1. Wandhalterung für Akku-Staubsauger 2. Stecker

⚠ VORSICHT: Unterlassen Sie gewaltsames Aufhängen des Staubsaugers an der Wandhalterung oder Aufhängen anderer Geräte außer dem Staubsauger.

HINWEIS: Wenn Sie den Staubsauger nicht laden, kann der Stecker an der Wandhalterung für Akku-Staubsauger aufbewahrt werden, wie dargestellt.

Fehlersuche

Bevor Sie eine Reparatur anfordern, überprüfen Sie bitte die folgenden Punkte.

Symptom	Prüfbereich	Abhilfemaßnahmen
Schwache Saugkraft	Ist die Kapsel mit Staub gefüllt?	Entleeren Sie den Staub aus der Kapsel.
	Ist der Filter verstopft?	Reinigen oder waschen Sie den Filter.
	Ist der Akku entladen?	Laden Sie den Akku auf.
Gerät funktioniert nicht	Ist der Akku entladen?	Laden Sie den Akku auf.
Geräusche und Vibrationen	Ist der Filter verstopft?	Reinigen oder waschen Sie den Filter.
	Ist die Düse, das Rohr oder der Saugeinlass des Gerätes verstopft?	Entfernen Sie die feststehenden Gegenstände in der Düse, dem Rohr oder dem Saugeinlass des Gerätes.
	Ist die Düse/der Rohreinlass blockiert?	Blockieren Sie nicht die Düse/den Rohreinlass.

ANMERKUNG: Versuchen Sie nicht, den Staubsauger selbst zu reparieren.

Entsorgen des Staubsaugers

Ein Lithium-Ionen-Akku ist in diesem Staubsauger eingebaut. Nehmen Sie diesen stets heraus, bevor Sie den Staubsauger entsorgen.

Ausbauen des eingebauten Akkus

⚠ VORSICHT: Die Kontakte dürfen nicht mit leitfähigem Material berührt werden.

⚠ VORSICHT: Lagern Sie den Akku nicht in einem Behälter zusammen mit anderen Metallgegenständen, wie z. B. Nägel, Münzen usw.

⚠ VORSICHT: Setzen Sie den Akku weder Wasser noch Regen aus.

⚠ VORSICHT: Der Akku darf nicht zerlegt oder abgeändert werden.

⚠ VORSICHT: Der Staubsauger muss vom Stromnetz getrennt sein, wenn der Akku entfernt wird.

⚠ VORSICHT: Halten Sie Gerät und Akku fest, wenn Sie den Akku herausnehmen und installieren. Andernfalls kann es dazu kommen, dass sie Ihnen aus den Händen gleiten, was zu Schäden an Gerät und Akku sowie zu Personenschäden führen kann.

⚠ VORSICHT: Achten Sie darauf, dass Sie sich beim Herausnehmen und Einsetzen des Akkus nicht die Finger zwischen Staubsauger, Rückabdeckung und Akku einklemmen. Einklemmen von Fingern kann Verletzungen verursachen.

- Um die Rückabdeckung zu entfernen, verschieben Sie sie in Pfeilrichtung.
► **Abb.40:** 1. Rückabdeckung
- Schieben Sie den eingebauten Akku halb heraus. Trennen Sie die Zuleitungsdrähte vom Akku, indem Sie den Akku geringfügig zurück schieben, während Sie den Steckverbinder in Richtung des in der Abbildung gezeigten Pfeils drücken.
► **Abb.41:** 1. Stecker 2. Zuleitungsdrähte
- Schieben Sie dann den Akku vollständig heraus.
► **Abb.42:** 1. Akku
- Legen Sie den ausgebauten Akku in einen Karton, damit er nicht kurzgeschlossen wird.

Installieren des Ersatz-Akkus

Wenden Sie zur Montage des Ersatz-Akkus das Demontageverfahren umgekehrt an.

⚠ VORSICHT: Verlegen Sie das Kabel so, dass es vollständig im Staubsauger verstaut ist, bevor Sie die Rückabdeckung wieder in ihrer Ausgangsposition anbringen. Anderenfalls kann das Kabel beschädigt werden.

► Abb.43

Nach dem Einbau des Akkus (siehe „TECHNISCHE DATEN“) sollten Sie den Akku vor dem Gebrauch laden.

SONDERZUBEHÖR

⚠ VORSICHT: Die folgenden Zubehörteile oder Vorrichtungen werden für den Einsatz mit dem in dieser Anleitung beschriebenen Makita-Gerät empfohlen. Die Verwendung anderer Zubehörteile oder Vorrichtungen kann eine Verletzungsgefahr darstellen. Verwenden Sie Zubehörteile oder Vorrichtungen nur für ihren vorgesehenen Zweck.

Wenn Sie weitere Einzelheiten bezüglich dieser Zubehörteile benötigen, wenden Sie sich bitte an Ihre Makita-Kundendienststelle.

- Verlängerungsrohr
- Düse
- Düse für Teppich
- Regalbürste
- Spitzdüse
- Rundbürste
- Flexibler Schlauch
- Filter
- Vorfilter
- Hochleistungsfilter
- HEPA-Filter
- Sitzdüse
- Spaltendüse
- Wandhalterung für Akku-Staubsauger
- Zyklonaufsatz
- Original-Makita-Akku und -Ladegerät

HINWEIS: Manche Teile in der Liste können als Standardzubehör im Gerätepaket enthalten sein. Sie können von Land zu Land unterschiedlich sein.

Zyklonaufsatz

- **Abb.44:** 1. Entriegelungsknopf 2. Raste
3. Verlängerungsrohr 4. Zyklonaufsatz
5. Saugeinlass

Info zum Zyklonaufsatz

Wird der Staubsauger mit installiertem Zyklonaufsatz verwendet, so wird die Staubmenge, die in die Kapsel gelangt, reduziert, was dazu beiträgt, eine Abschwächung der Saugkraft zu verhindern. Außerdem wird die Reinigung nach dem Gebrauch ebenfalls vereinfacht.

⚠ VORSICHT: Vergewissern Sie sich stets, dass das Gerät ausgeschaltet ist, bevor Sie Arbeiten am Gerät ausführen.

⚠ VORSICHT: Reinigen Sie den Netzfilter des Zyklonaufsatzes und die Filter der Staubsaugereinheit, wenn sie verstopft werden. Fortgesetzter Gebrauch im verstopften Zustand kann zu Erhitzung oder Rauchbildung führen.

ANMERKUNG: Verwenden Sie den Staubsauger bei angebrachtem Zyklonaufsatz nicht im horizontalen oder nach oben gerichteten Zustand. Anderenfalls kann der Netzfilter verstopft werden.

ANMERKUNG: Benutzen Sie den Staubsauger selbst bei Verwendung des Zyklonaufsatzes immer mit installierten Filtern. Wird der Staubsauger ohne die Filter benutzt, kann es zu einer Funktionsstörung des Motors kommen.

HINWEIS: Stellen Sie vor Gebrauch sicher, dass Zyklonaufsatz, Staubsauger und Verlängerungsrohr einwandfrei verriegelt sind.

HINWEIS: Entleeren Sie den Staubsammelbehälter des Zyklonaufsatzes und die Kapsel des Staubsaugers, wenn Staub sich angesammelt hat. Fortgesetzter Gebrauch führt zu einer Abschwächung der Saugkraft.

HINWEIS: Sie können den Zyklonaufsatz auch ohne Verriegelungsfunktion verwenden.

HINWEIS: Nehmen Sie zum Montieren oder Demontieren des Zyklonaufsatzes auf den Abschnitt „Montieren und Demontieren von Saugergeräteaufsätzen“ Bezug.

Staubentleerung

Wenn Staub sich bis zur Voll-Linie des Staubsammelbehälters angesammelt hat, entsorgen Sie den Staub nach dem folgenden Verfahren.

- Halten Sie den Staubsammelbehälter mit festem Griff, während Sie die zwei Knöpfe gedrückt halten, und entfernen Sie den Staubsammelbehälter.

► **Abb.45:** 1. Voll-Linie 2. Staubsammelbehälter
3. Knopf (zwei Stellen) 4. Netzfilter

- Entsorgen Sie den Staub im Staubsammelbehälter, und entfernen Sie jeglichen an der Oberfläche des Netzfilters haftenden Staub und Pulver.

3. Führen Sie den Staubsammelbehälter vollständig ein, bis die zwei Knöpfe mit einem Klicken einrasten.

► **Abb.46:** 1. Staubsammelbehälter 2. Knopf (zwei Stellen)

⚠ VORSICHT: Achten Sie beim Zusammenbau darauf, dass Sie keine Finger zwischen dem Staubsammelbehälter und dem Zyklonkörper einklemmen.

HINWEIS: Falls die Saugkraft selbst nach der Entsorgung des Staubs und der Reinigung des Netzfilters nicht wiederhergestellt wird, prüfen Sie, ob Staub sich in der Kapsel des Staubsaugers angesammelt hat, oder ob eine Verstopfung aufgetreten ist.

HINWEIS: Beim Entsorgen von dem Zyklonaufsatz kann Staub hochfliegen. Achten Sie darauf, dass kein Staub in Ihre Augen gelangt.

Reinigen

Wenn der Staubsammelbehälter schmutzig wird oder der Netzfilter verstopft ist, entfernen Sie die Teile, und waschen Sie sie mit Wasser. (Angaben zum Demontageverfahren finden Sie unter „Staubentleerung“.)

ANMERKUNG: Nachdem Sie den Staubsammelbehälter und die Filter gewaschen haben, lassen Sie sie vor Gebrauch gründlich trocknen. Unzureichend getrocknete Komponenten können einen elektrischen Schlag und/oder Verletzungen verursachen.

► **Abb.47:** 1. Staubsammelbehälter 2. Netzfilter

Wenn der Netzfilter stark verschmutzt wird, reinigen Sie ihn nach den folgenden Verfahren.

1. Drehen Sie den Netzfilter, wie in der Abbildung gezeigt, und entfernen Sie ihn bei entriegelten Rasten.

► **Abb.48:** 1. Netzfilter 2. Raste

2. Entfernen Sie den Staub am Netzfilter, und waschen Sie ihn dann mit Wasser. Lassen Sie ihn danach gründlich trocknen.

3. Führen Sie den Netzfilter in die Basis ein, während die Rasten auf den Anschluss ausgerichtet sind. Drehen Sie den Netzfilter wie in der Abbildung gezeigt, bis die Rasten mit einem Klick einrasten. Vergewissern Sie sich, dass der Netzfilter sicher installiert ist.

► **Abb.49:** 1. Netzfilter 2. Raste 3. Anschluss

Makita Europe N.V. Jan-Baptist Vinkstraat 2,
3070 Kortenberg, Belgium

Makita Corporation 3-11-8, Sumiyoshi-cho,
Anjo, Aichi 446-8502 Japan

www.makita.com

885978A979 EN, PL, HU, SK, CS, UK, RO, DE 20220601
