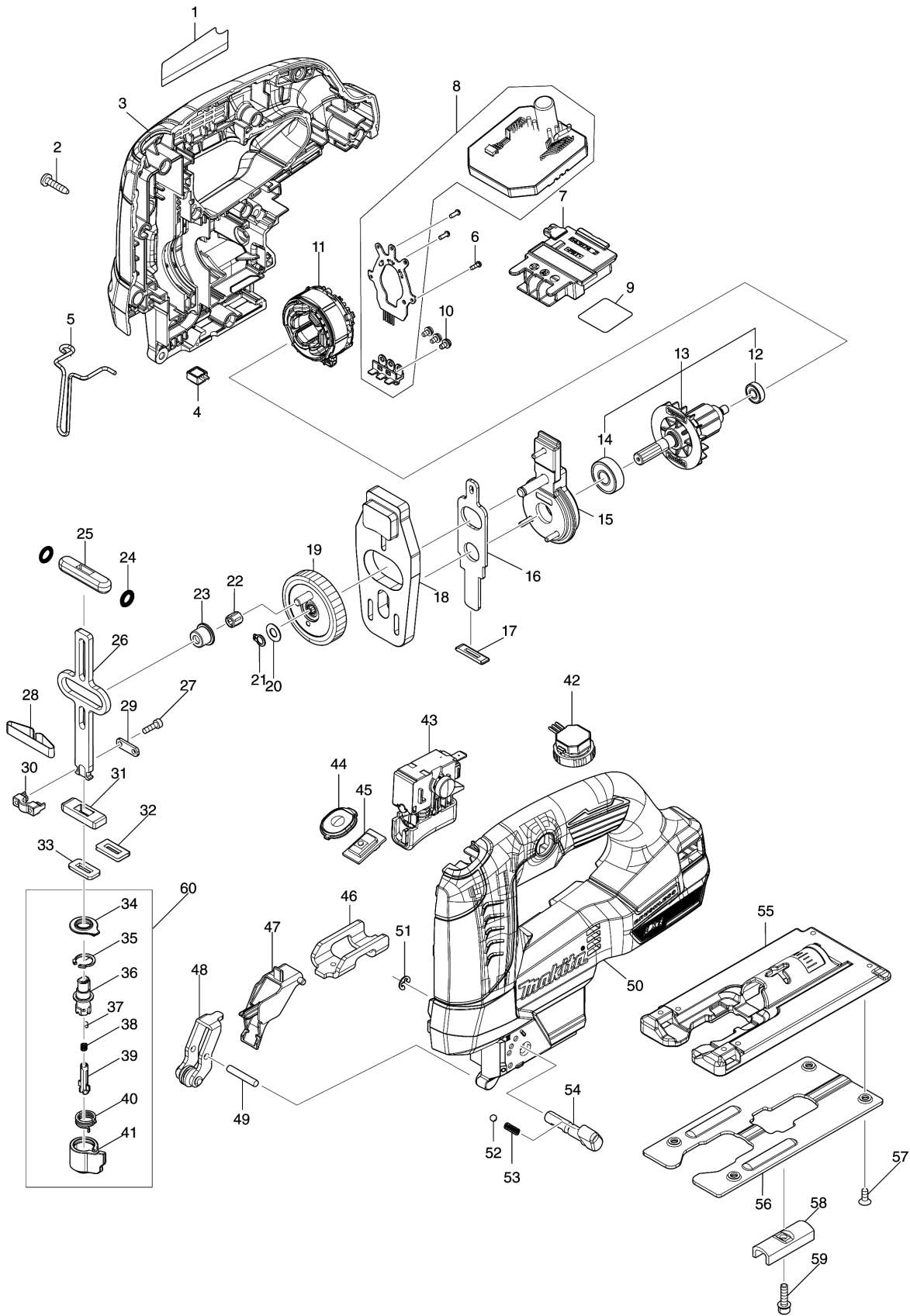


Model No.DJV184 CORDLESS JIG SAW



Model No.DJV184 CORDLESS JIG SAW

Item	Parts No.	Description	I/C	Qty	New/Old	Opt. 1	Opt. 2	Note
001	8117T5-5	DJV184 NAME PLATE		1				
002	266326-2	TAPPING SCREW 4X18		11				
003	183V10-5	HOUSING SET		1				
C10	263005-3	RUBBER PIN 6		2				
D10		INC. 50						
004	620713-3	LED CIRCUIT		1				
005	323748-0	SAFETY WIRE		1				
006	266490-9	TAPPING SCREW PT 2X6		3				
007	643874-2	TERMINAL		1				
008	620H99-3	CONTROLLER		1				
009	8117U4-4	DJV184 SERIAL NO. LABEL		1				
010	652069-6	FLAT HEAD SCREW M3X6		3				
011	629B14-8	STATOR		1				
012	210039-7	BALL BEARING 695DDW		1				
013	510536-6	ROTOR ASS'Y		1				
D10		INC. 12,14						
014	210005-4	BALL BEARING 608DDW		1				
015	144820-3	BEARING CASE COMPLETE		1				
016	347249-4	PUSH PLATE		1				
017	416703-0	DUST SEAL		1				
018	310812-6	BALANCE PLATE		1				
019	141H68-6	GEAR COMPLETE		1				
020	253715-0	FLAT WASHER 6		1				
021	961002-0	RETAINING RING S-6		1				
022	212265-4	NEEDLE CAGE 508		1				
023	257872-6	SHOULDER SLEEVE 8		1				
024	213038-8	O RING 5		2				
025	313082-6	SLIDER GUIDE		1				
026	347966-6	SLIDER		1				
027	266177-3	HEX. SOCKET HEAD BOLT M3X10		2				
028	232183-0	LEAF SPRING		1				
029	347247-8	PLATE		1				
030	310811-8	BLADE CLAMP		1				
031	313086-8	SLIDER SUPPORT		1				
032	344686-3	SEAL PLATE		1				
033	423307-1	POLY URETANE SPONGE SEAL		1				
034	424437-1	DUST COVER		1				
035	962063-3	RETAINING RING R-13		1				
036	310810-0	BLADE GUIDE		1				
037	256528-8	PIN 2		1				
038	233314-4	COMPRESSION SPRING 4		1				

Model No.DJV184 CORDLESS JIG SAW

Item	Parts No.	Description	I/C	Qty	New/Old	Opt. 1	Opt. 2	Note
039	310485-5	LOCK PIN		1				
040	233591-8	TORSION SPRING 10		1				
041	452850-3	INSERT HOLDER		1				
042	620D30-5	DIAL CIRCUIT		1				
043	650025-0	SWITCH C3JW-4B-2AL-R		1				
044	142303-7	SWITCH PLATE COMPLETE		1				
045	620J21-2	SWITCH UNIT		1				
046	347251-7	HOLDER		1				
047	457866-3	RETAINER GUIDE		1				
048	144629-3	RETAINER COMPLETE		1				
049	256206-0	PIN 4		1				
050	183V10-5	HOUSING SET		1				
C10	263005-3	RUBBER PIN 6		2				
D10		INC. 3						
051	961011-9	STOP RING E-4		1				
052	216008-6	STEEL BALL 4		1				
053	233151-6	COMPRESSION SPRING 4		1				
054	271441-9	LEVER 19		1				
055	312C90-2	BASE		1				
056	345441-6	BASE PLATE		1				
057	912107-9	COUNTERSUNK HEAD SCREW M4X8		4				
058	344685-5	CLAMP PLATE		1				
059	922128-3	HEX. SOCKET HEAD BOLT M4X16		1				
060	135941-2	BLADE GUIDE ASS'Y		1				
D10		INC. 34-41						
A01	B-06460	JIGSAW BLADE B-50		1				
A02	783201-2	HEX. WRENCH 3		1				
A03	457867-1	COVER PLATE		1				
A04A	413F05-1	DUST NOZZLE		1				
A05A	458191-5	DUST COVER		1				
A06B	821551-8	CONNECTOR PLASTIC CASE (TYPE3)		1				
C10	453974-8	LATCH		4				
A07B	8051S4-4	DJV184RTJ PLASTIC CASE LABEL		2				
A08B	8051R4-7	DJV184RTJ INDICATION LABEL		1				
A09B	8352U6-6	INNER TRAY		1				
A10B	***DC18RC	DC18RC FAST CHARGER		1				
D10		COMPO-PARTS						
A11B	450128-8	BATTERY COVER		1				
A12B	197280-8	BATTERY BL1850B SET		2				

Please order the parts with part number.

Print Date 4/1/2022