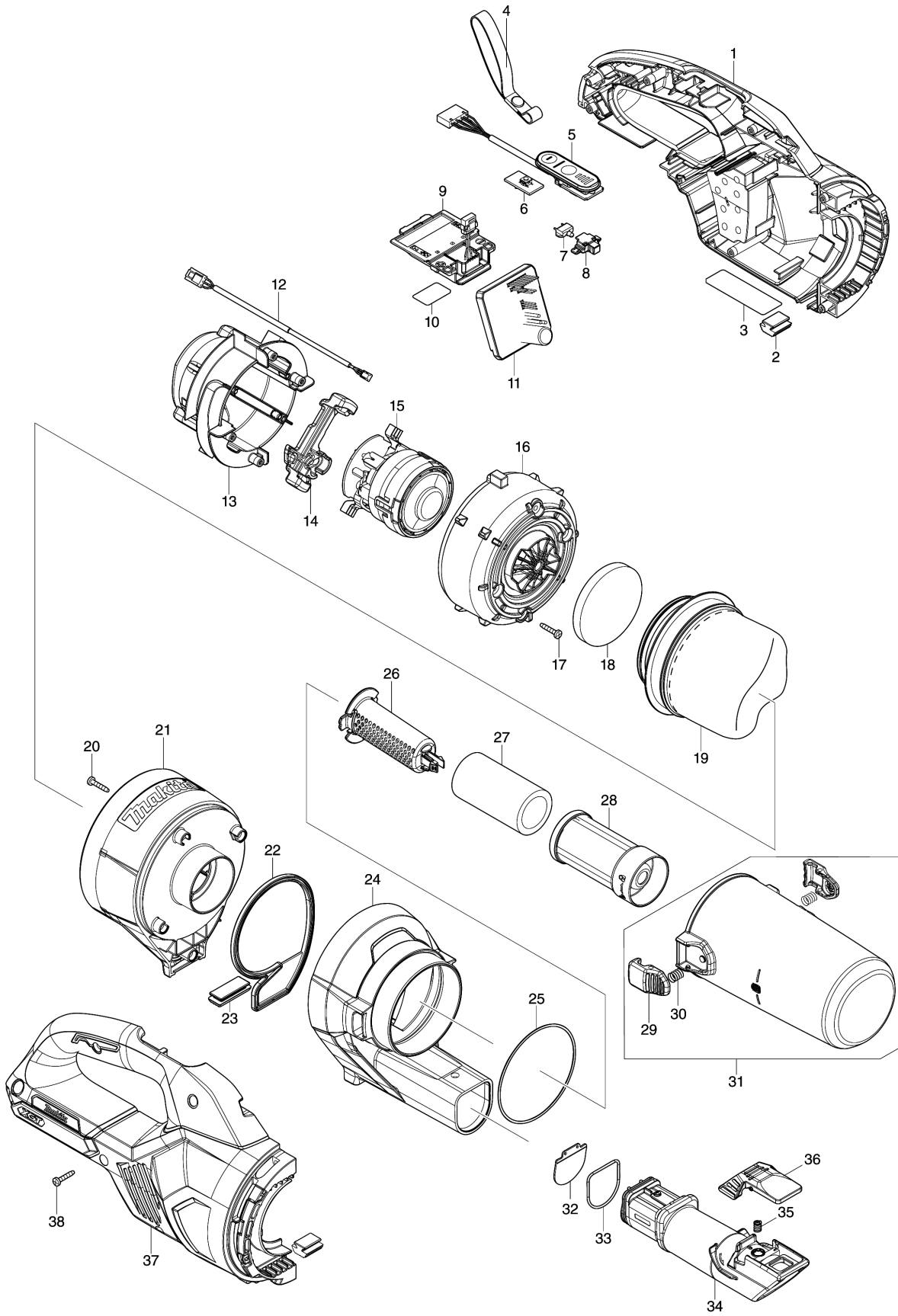


Model No.CL003G CORDLESS CLEANER



Model No.CL003G CORDLESS CLEANER

Tétel	Cikkszám	Megnevezés	Átalakulás	Menny.	New/Old	Opc 1	Opc 2	Megjegyzés
001A	183W55-9	HOUSING SET		1				
001B	183W55-9	HOUSING SET		1				
001C	183W52-5	HOUSING SET		1				
001D	183W52-5	HOUSING SET		1				
C10	263005-3	GUMI CSAPSZEG 6 263005-3		2				
C20	422714-5	SPONGE SEAT		2				
C30	8005T5-8	XGT LOGO LABEL		1				
D10		INC. 2,37						
002	422460-0	RUBBER PLATE		2				
003	858F40-6	CL003G NAME PLATE		1				
005	141B54-1	INDICATION CIRCUIT COMPLETE		1				
C10	8031J2-9	SWITCH LABEL		1				
006	620E74-1	SWITCH UNIT		1				
007	620E82-2	LED CIRCUIT		1				
008	141H09-2	LED CASE COMPLETE		1				
009	632P65-6	TERMINAL UNIT		1				
010	858F47-2	CL003G SERIAL NO. LABEL		1				
011	620E90-3	CONTROLLER		1				
012	632S32-9	LEAD UNIT		1				
013	141E55-7	MOTOR COVER R COMPLETE		1				
C10	263002-9	GUMI CSAPSZEG 4 263002-9		4				
014	422723-4	MOTOR COVER SEAL		1				
015	629A46-9	MOTOR ASSEMBLY		1				
016	413645-9	MOTOR COVER F		1				
017	266429-2	CSAVAR 3X16		4				
018	422909-0	SPONGE SHEET 62		1				
019	1910C7-9	HIGH PERFORMANCE FILTER SET		1				
020	266429-2	CSAVAR 3X16		4				
021A	413H37-0	FILTER HOUSING		1				
021B	413H37-0	FILTER HOUSING		1				
021C	413H18-4	FILTER HOUSING		1				
021D	413H18-4	FILTER HOUSING		1				
022	422884-0	SEAL		1				
023	422885-8	RUBBER PLATE		1				
024A	413H38-8	FRONT HOUSING		1				
024B	413H38-8	FRONT HOUSING		1				
024C	413H19-2	FRONT HOUSING		1				
024D	413H19-2	FRONT HOUSING		1				
025	213884-9	O RING 72		1				
026	413H21-5	MESH PIPE		1				
027	422908-2	SPONGE FILTER		1				
028	413H29-9	PREFILTER		1				
029	459106-5	STOPPER		2				

Please order the parts with part number.

Print Date 2022/7/1

Model No.CL003G CORDLESS CLEANER

Tétel	Cikkszám	Megnevezés	Átalakulás	Menny.	New/Old	Opc 1	Opc 2	Megjegyzés
030	232460-0	COMPRESSION SPRING 7		2				
031	136713-8	DUST BOX ASSEMBLY		1				
D10		INC. 29,30						
032	422886-6	VALVE		1				
033	213837-8	O-RING 29		1				
034A	413H39-6	INLET		1				
034B	413H39-6	INLET		1				
034C	413H25-7	INLET		1				
034D	413H25-7	INLET		1				
035	232485-4	COMPRESSION SPRING 5		1				
036	413H20-7	LEVER		1				
037A	183W55-9	HOUSING SET		1				
037B	183W55-9	HOUSING SET		1				
037C	183W52-5	HOUSING SET		1				
037D	183W52-5	HOUSING SET		1				
C10	263005-3	GUMI CSAPSZEG 6 263005-3		2				
C20	422714-5	SPONGE SEAT		2				
C30	8005T5-8	XGT LOGO LABEL		1				
D10		INC. 1,2						
038	266429-2	CSAVAR 3X16		7				
A01A	127828-2	NOZZLE ASSEMBLY		1				
A01B	127828-2	NOZZLE ASSEMBLY		1				
A01C	127825-8	NOZZLE ASSEMBLY		1				
A01D	127825-8	NOZZLE ASSEMBLY		1				
C10	451410-8	ROLLER		4				
C20	268208-4	PIN 3		4				
C30	424096-1	WIPER		1				
A02A	413809-5	SASH NOZZLE		1				
A02B	413809-5	SASH NOZZLE		1				
A02C	413770-6	SASH NOZZLE		1				
A02D	413770-6	SASH NOZZLE		1				
A03A	459038-6	NOZZLE HOLDER		1				
A03B	459038-6	NOZZLE HOLDER		1				
A03C	459354-6	NOZZLE HOLDER		1				
A03D	459354-6	NOZZLE HOLDER		1				
A04A	458942-6	PIPE		1				
A04B	458942-6	PIPE		1				
A04C	459353-8	PIPE		1				
A04D	459353-8	PIPE		1				
A10B	***DC40RA	DC40RA FAST CHARGER		1				
D10		COMPO-PARTS						
A10D	***DC40RA	DC40RA FAST CHARGER		1				
D10		COMPO-PARTS						
A11B	191B36-3	BATTERY BL4025 SET		2				
A11D	191B36-3	BATTERY BL4025 SET		2				

Please order the parts with part number.

Print Date 2022/7/1

Model No.CL003G CORDLESS CLEANER

Tétel	Cikkszám	Megnevezés	Átalakulás	Menny.	New/Old	Opc 1	Opc 2	Megjegyzés
A12B	412393-7	BATTERY COVER		2				
A12D	412393-7	BATTERY COVER		2				

Please order the parts with part number.

Print Date 2022/7/1